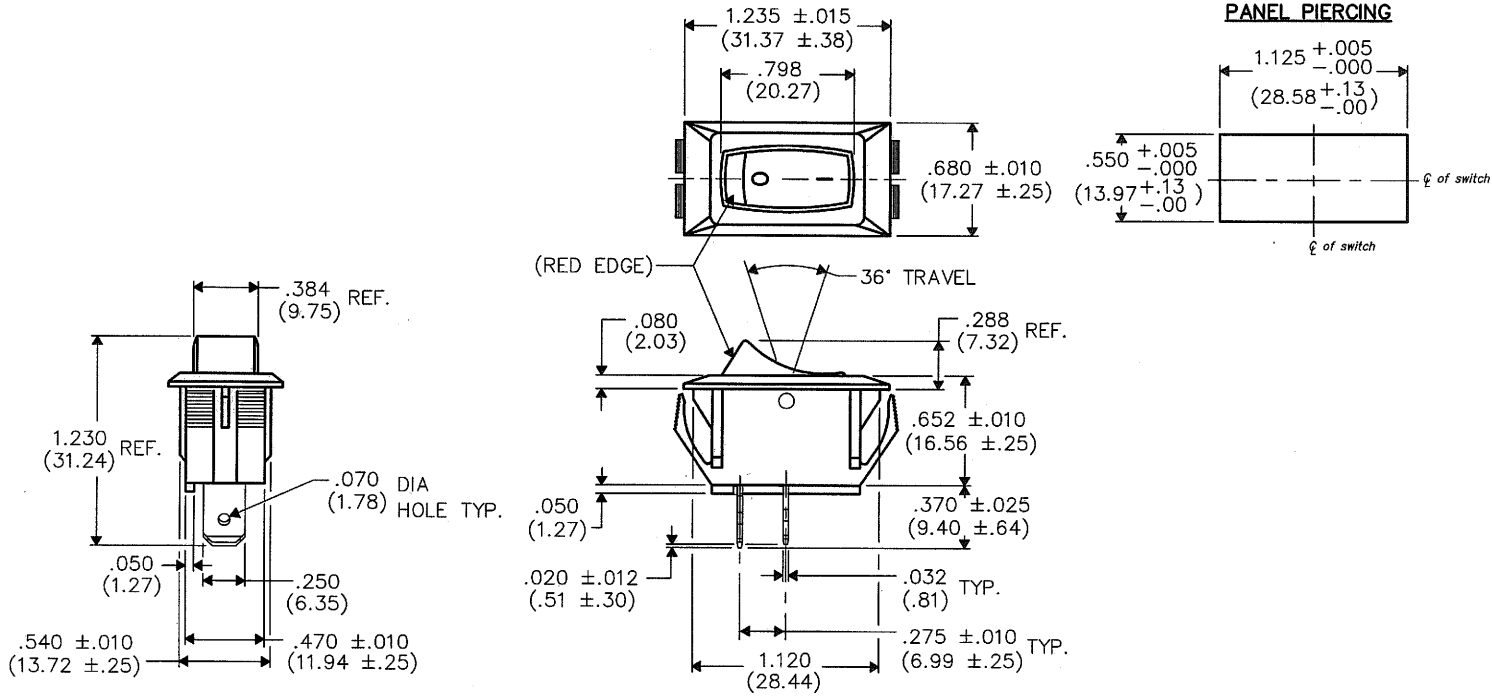


DIMENSIONS IN INCHES (MILLIMETERS)  
DO NOT SCALE DRAWING .....

Dwg. No.  
**NAA-111-BI21-00**

E  
D  
C  
B  
A



1 2 3 4 5 6 7 8 9 10

FORM-B4  
**REVISIONS**  
0  
RELEASED 8-13-2008  
DGM  
8-15-2008

**CW INDUSTRIES**  
Southampton, Pa. 18966

TOLERANCES UNLESS OTHERWISE SPECIFIED	
2 Place Decimal ±.010	METRIC
3 Place Decimal ±.005	1 Place Dec. ±.25mm
Angles ..... ±1°	2 Place Dec. ±.13mm

Made for: CW IND.  
Drawn by: DGM 8-13-2008  
Checked by: G. Gold 8-14-08  
Approval: G. Gold 8-14-08

Title: **INDICON UNIBODY SWITCH ASSEMBLY**  
1.125" x .550" PANEL

Division: **SWITCH**

Dwg. No. **NAA-111-BI21-00**

**MASTER**