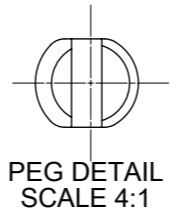
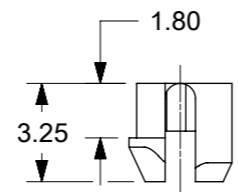
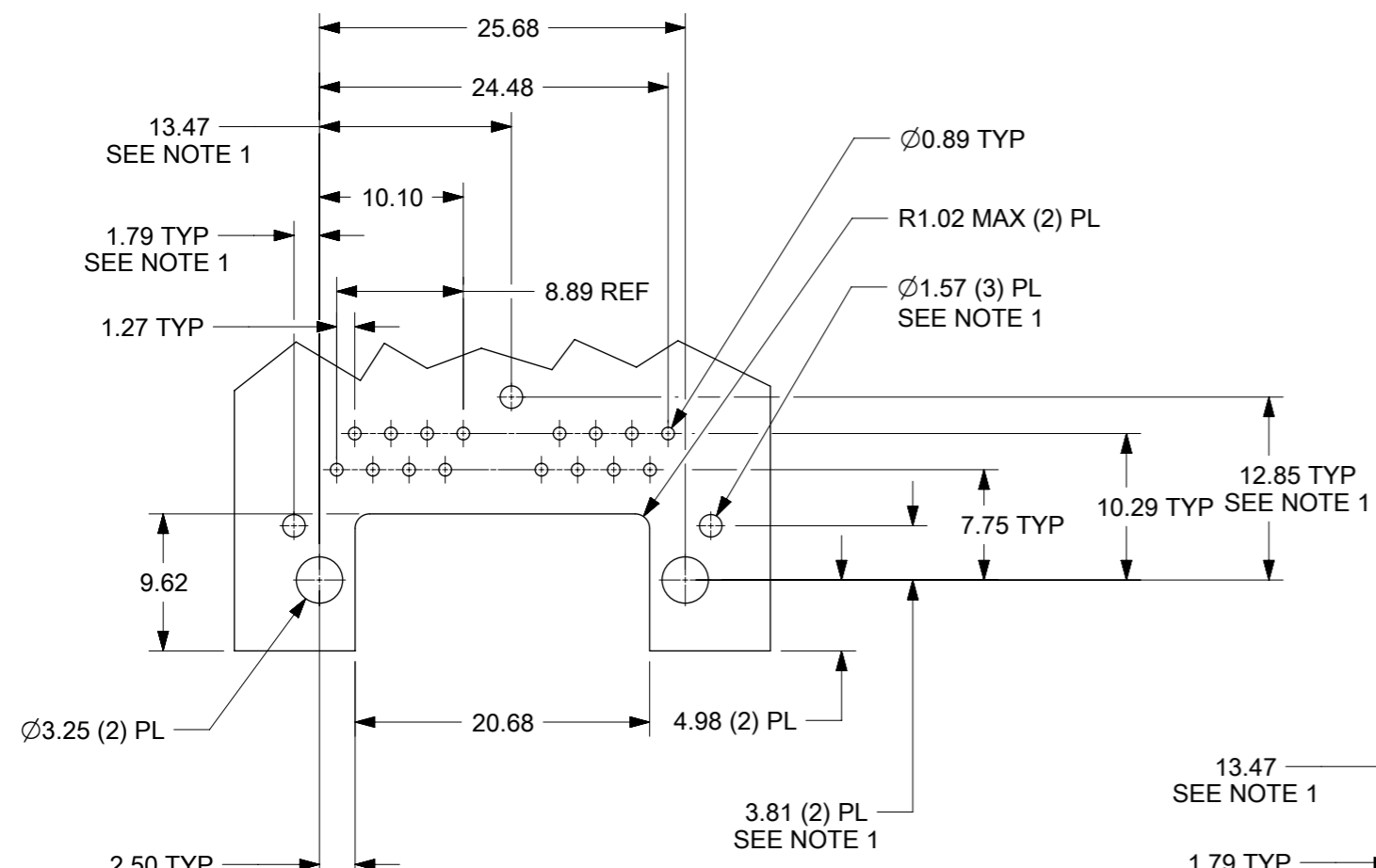


- NOTES:
- MATERIAL:  
HOUSING: NYLON(PA), GLASS FILLED, UL94V-0, COLOR: BLACK  
TERMINALS: PHOSPHOR BRONZE  
SHIELD: BRASS, 0.18 THICK
  - FINISH:  
TERMINALS:  
SELECT GOLD IN CONTACT AREA: 1.27 MICROMETERS MIN.,  
SELECT MATTE TIN IN PC TAIL AREA: 2.54 MICROMETERS MIN.,  
WITH OVERALL NICKEL UNDERPLATE: 1.27 MICROMETERS MIN.  
SHIELD:  
2.54 MICROMETERS NICKEL OVER 1.27 MICROMETERS  
COPPER UNDERPLATE; PCB GROUND TABS DIPPED IN TIN.
  - PRODUCT SPECIFICATION: PS-44560-003.
  - PACKAGING SPECIFICATION:  
2 PORT: CONNECTOR PACKAGED IN TRAYS PER MOLEX PACKAGING SPECIFICATION  
PK-44560-004  
4 PORT: CONNECTOR PACKAGED IN TRAYS PER MOLEX PACKAGING SPECIFICATION  
PK-44560-005
  - CONFORMS TO FCC REGULATION PART 68.5 FOR MODULAR JACKS.
  - ENHANCED GROUND TABS SHIELD (OPTION -B-) IS SHOWN IN THIS DRAWING. (SEE CHART)
  - SEE SHEET (2) OF (2) FOR RECOMMENDED PANEL OPENING AND PCB LAYOUT.
  - CAT 5e PERFORMANCE IS NOT SPECIFIED FOR THIS MODULAR JACK BECAUSE OF THE EVEN TERMINAL TAILS.
  - THIS PART CONFORMS TO CLASS B REQUIREMENTS OF COSMETIC SPECIFICATION PS-45499-002 WITH THE EXCEPTION OF THE SURFACE INDICATED, WHICH IS A CLASS C SURFACE.
  - THIS PRODUCT IS COMPLIANT TO RoHS DIRECTIVE 2002/95/EC AND ELV ANNEX II OF DIRECTIVE 2000/53/EC.

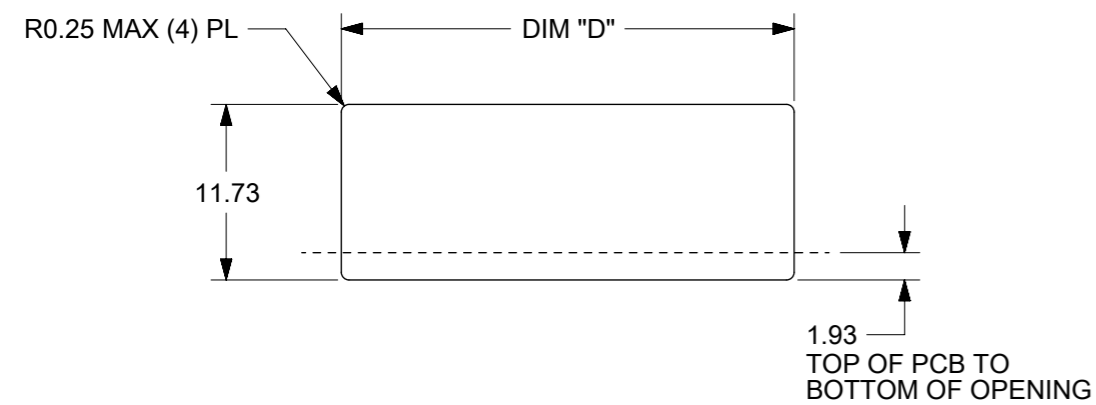


ASSEMBLY MATERIAL NUMBER	SHIELDING OPTION	NUMBER OF REAR GROUND TABS	NUMBER OF PORTS	DIM "A"	DIM "B"
445600112	B	1	2	29.44	25.68

FUNCTIONAL SYMBOLS						THIS DRAWING CONTAINS INFORMATION THAT IS PROPRIETARY TO MOLEX ELECTRONIC TECHNOLOGIES, LLC AND SHOULD NOT BE USED WITHOUT WRITTEN PERMISSION					
DIMENSION UNITS		SCALE		CURRENT REV DESC: MIGRATED TO NX							
mm		2:1		<b>molex</b> COMPACT GANGED MODJACK EVEN TAILS PRODUCT CUSTOMER DRAWING							
GENERAL TOLERANCES (UNLESS SPECIFIED)											
ANGULAR TOL ± 0.5°											
4 PLACES ±											
3 PLACES ±											
DIVISIONAL SYMBOLS						EC NO: 709327		2018/02/15		2022/07/12	
2 PLACES ± 0.3						DRWN: CCV		2012/08/14		2022/07/12	
1 PLACE ±						CHK'D: KLANG		2012/08/14		2022/07/12	
0 PLACES ±						APPR: KLANG		2012/08/14		2022/07/12	
DRAFT WHERE APPLICABLE MUST REMAIN WITHIN DIMENSIONS						THIRD ANGLE PROJECTION		DRAWING		SERIES	
						A3-SIZE		44560		MATERIAL NUMBER	
						SEE CHART		LUCENT		CUSTOMER	
										DOCUMENT NUMBER	
										RSD-44560-001	
										DOC TYPE	
										PSD	
										DOC PART	
										001	
										REVISION	
										A1	
										SHEET NUMBER	
										1 OF 2	

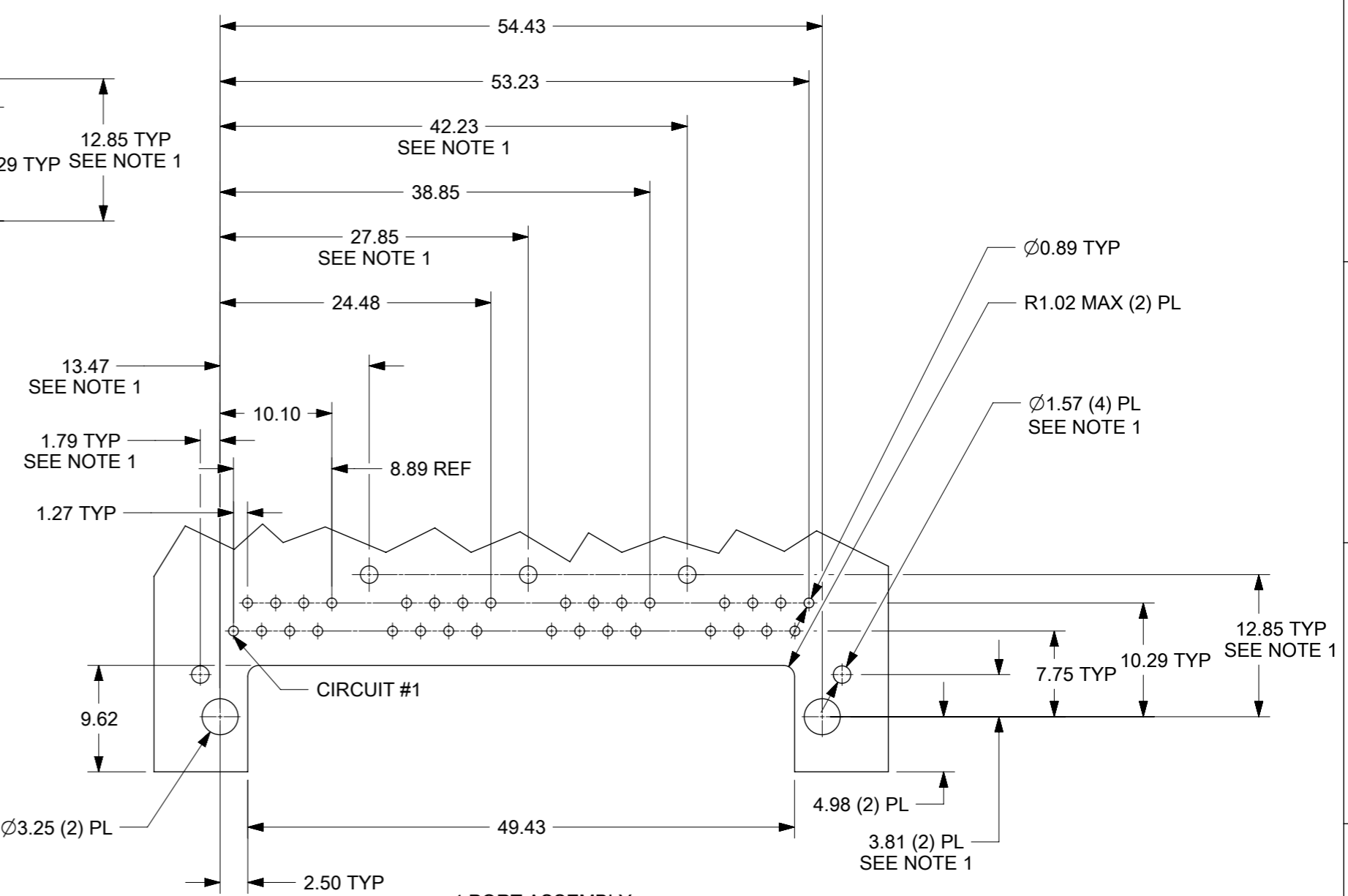


2 PORT ASSEMBLY  
PCB LAYOUT : COMPONENT SIDE  
RECOMMENDED PCB THICKNESS: 1.57  
TOLERANCE ±0.076 UNLESS OTHERWISE SPECIFIED

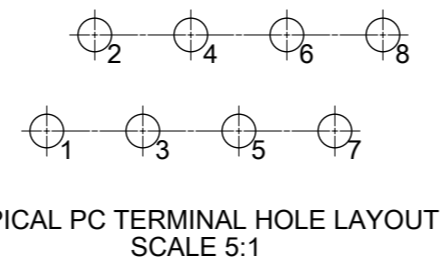


NUMBER OF PORTS	DIM "D"
2	30.20
4	58.95

RECOMMENDED  
PANEL OPENING  
SHIELDING OPTIONS  
A AND B



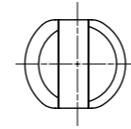
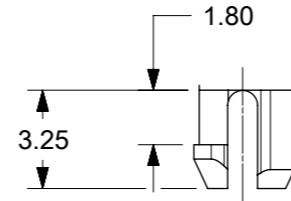
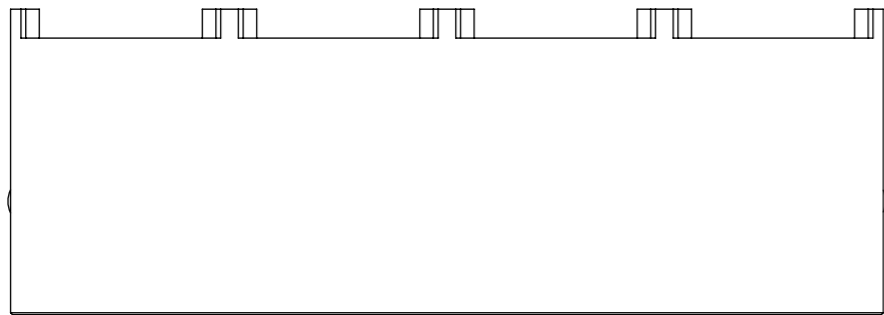
4 PORT ASSEMBLY  
PCB LAYOUT : COMPONENT SIDE  
RECOMMENDED PCB THICKNESS: 1.57  
TOLERANCE ± 0.076 UNLESS OTHERWISE SPECIFIED



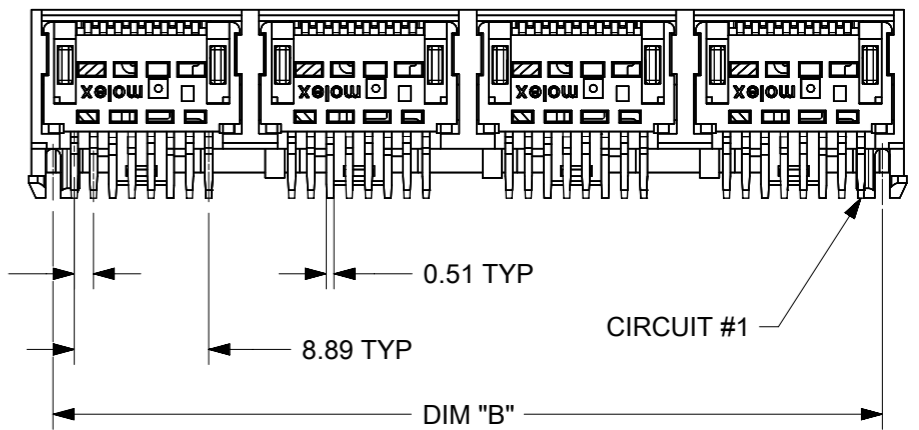
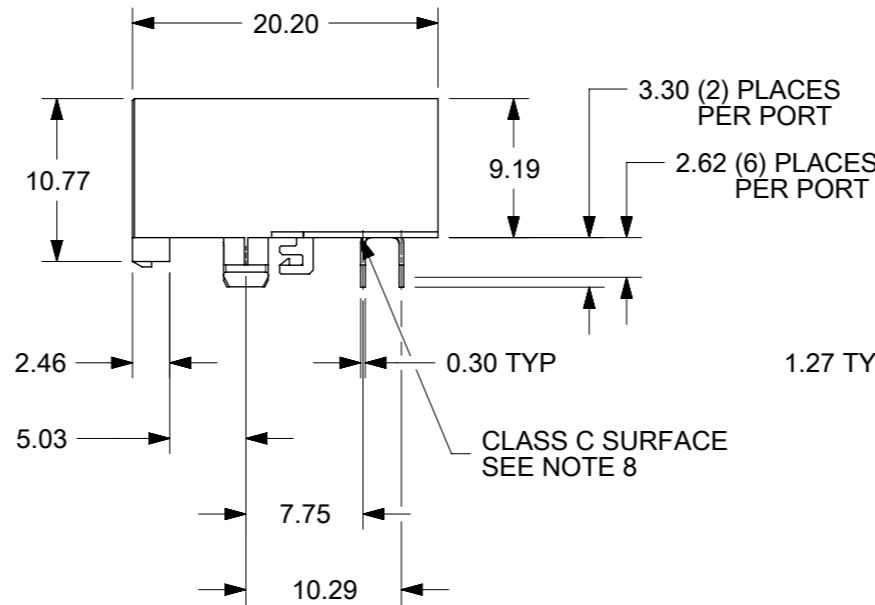
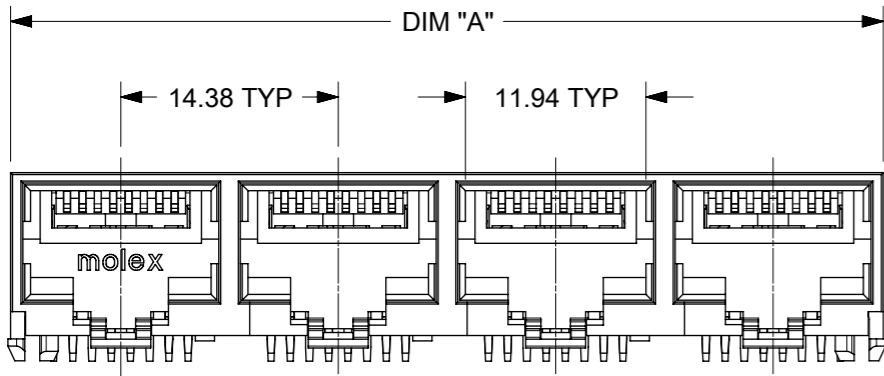
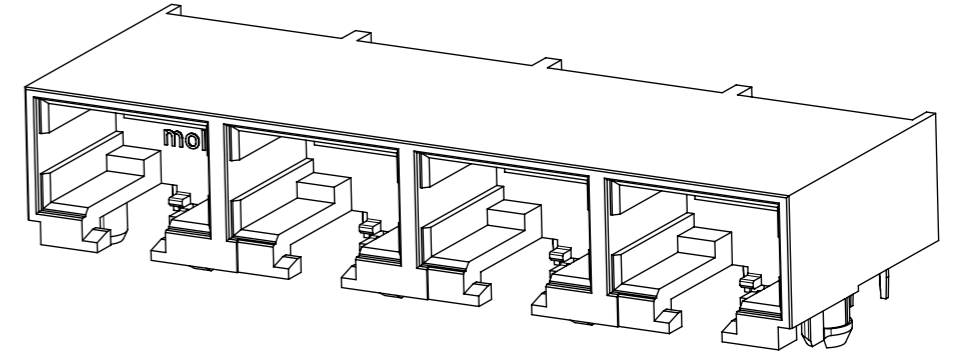
TYPICAL PC TERMINAL HOLE LAYOUT  
SCALE 5:1

NOTES:  
1. DIMENSIONS REFER TO ASSEMBLIES WITH SHIELDING OPTION

FUNCTIONAL SYMBOLS	THIS DRAWING CONTAINS INFORMATION THAT IS PROPRIETARY TO MOLEX ELECTRONIC TECHNOLOGIES, LLC AND SHOULD NOT BE USED WITHOUT WRITTEN PERMISSION		CURRENT REV DESC: MIGRATED TO NX		<b>molex</b>
	▽A = 0	mm	SCALE	2:1	
▽E = 0	GENERAL TOLERANCES (UNLESS SPECIFIED)				COMPACT GANGED MODJACK EVEN TAILS
▽P = 0	ANGULAR TOL ± 0.5°				
DIVISIONAL SYMBOLS	4 PLACES ±	EC NO: 709327	2018/02/15	PRODUCT CUSTOMER DRAWING	
	3 PLACES ±	DRWN: CCV	2022/07/12		
	2 PLACES ± 0.3	CHK'D: KLANG	2022/07/12	DOCUMENT NUMBER: RSD-44560-001   DOC TYPE: PSD   DOC PART: 001   REVISION: A1	
	1 PLACE ±	APPR: KLANG	2022/07/12		
	0 PLACES ±	INITIAL REVISION:			
DRAFT WHERE APPLICABLE MUST REMAIN WITHIN DIMENSIONS		DRWN: NNGUYEN	2012/08/14	MATERIAL NUMBER: SEE CHART   CUSTOMER: LUCENT   SHEET NUMBER: 2 OF 2	
THIRD ANGLE PROJECTION		APPR: FSMITH	2012/08/27		
DRAWING: A3-SIZE		SERIES: 44560			



PEG DETAIL  
SCALE 4:1

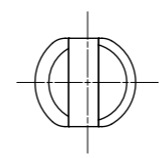
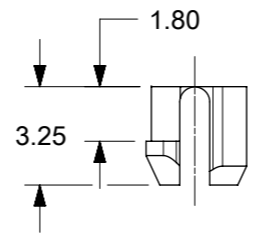
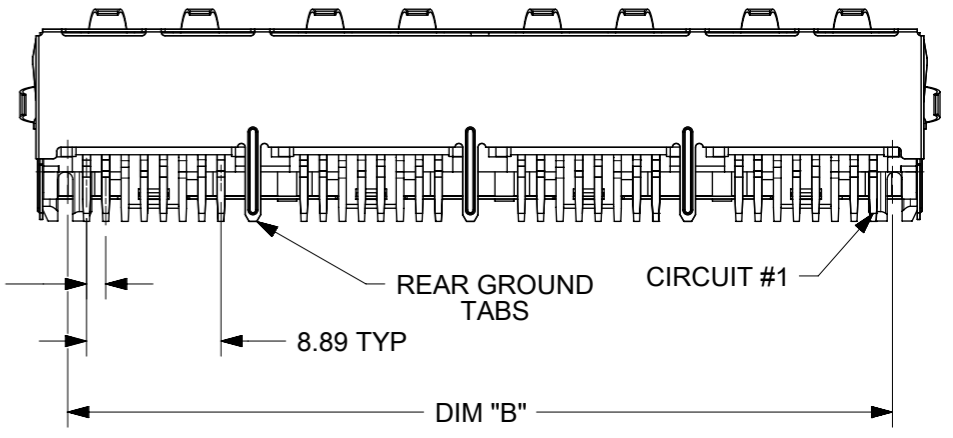
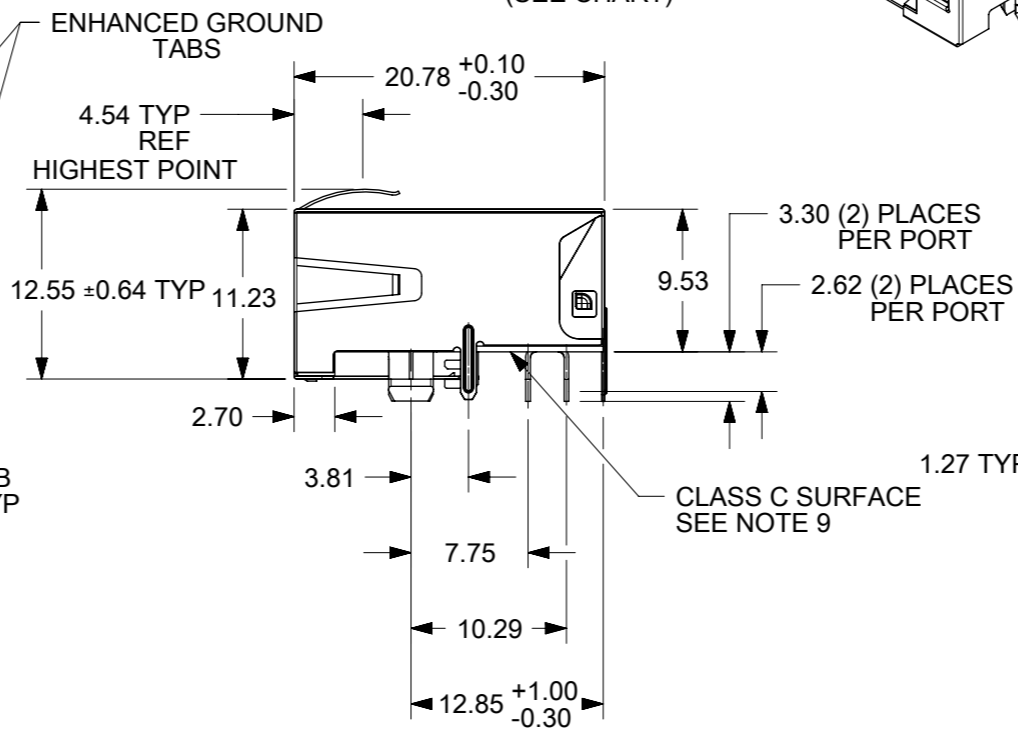
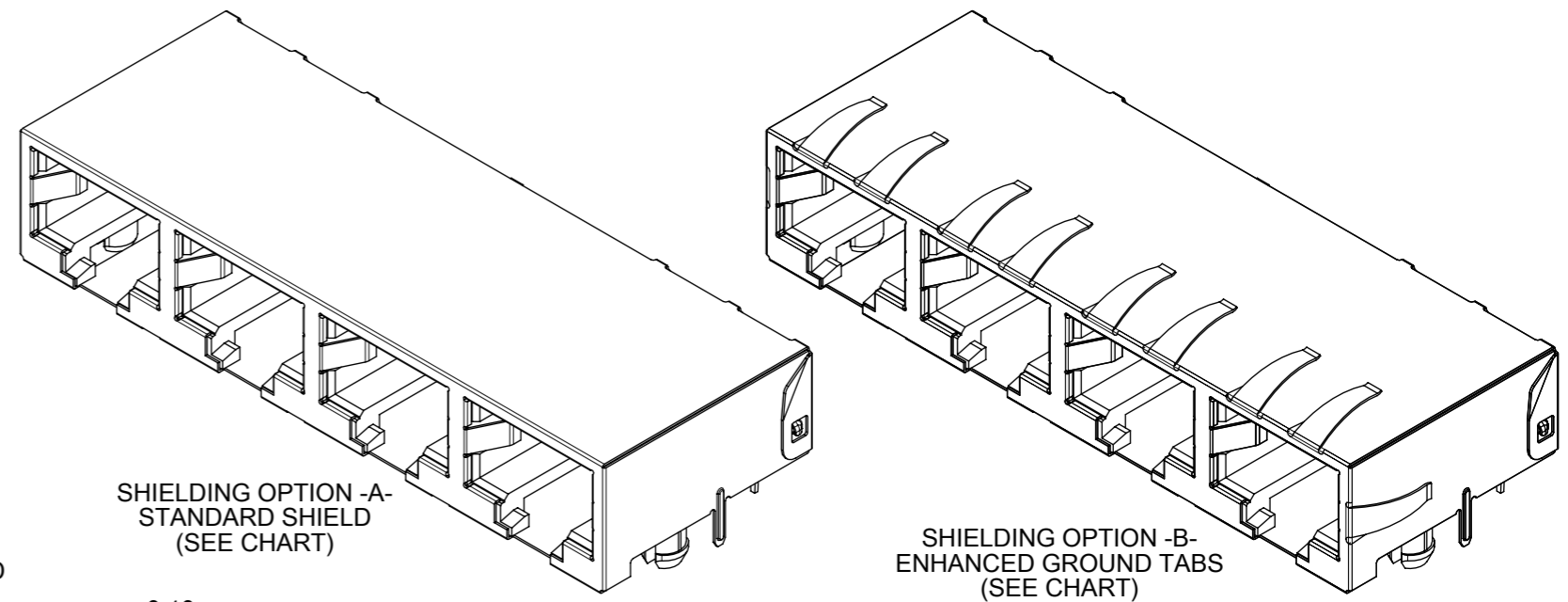
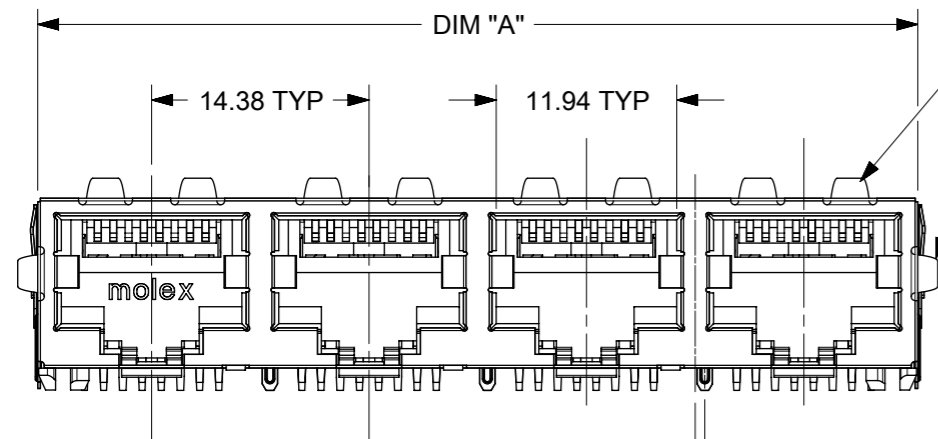
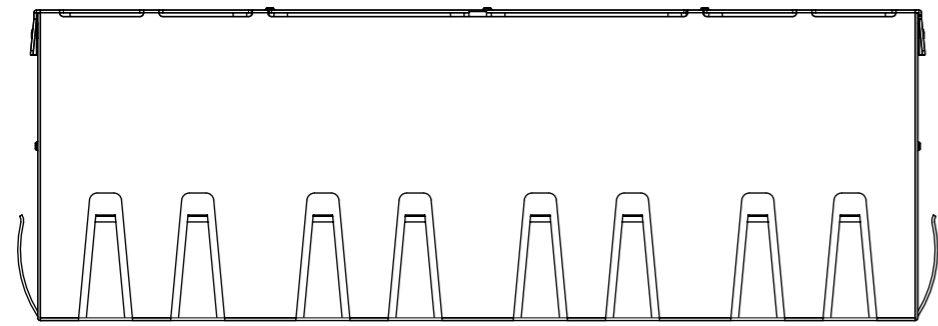


NOTES:

1. MATERIAL:  
HOUSING: NYLON(PA), GLASS FILLED, UL94V-0, COLOR: BLACK  
TERMINALS: PHOSPHOR BRONZE
2. FINISH:  
TERMINALS:  
SELECT GOLD IN CONTACT AREA: 1.27 MICROMETERS MIN.,  
SELECT MATTE TIN IN PC TAIL AREA: 2.54 MICROMETERS MIN.,  
WITH OVERALL NICKEL UNDERPLATE: 1.27 MICROMETERS MIN.
3. PRODUCT SPECIFICATION AND PROCESSING PARAMETERS: PS-44560-003.
4. PACKAGING SPECIFICATION:  
2 PORT: CONNECTOR PACKAGED IN TRAYS PER MOLEX PACKAGING SPECIFICATION PK-44560-004  
4 PORT: CONNECTOR PACKAGED IN TRAYS PER MOLEX PACKAGING SPECIFICATION PK-44560-005
5. CONFORMS TO FCC REGULATION PART 68.5 FOR MODULAR JACKS.
6. SEE SHEET (4) OF (4) FOR RECOMMENDED PANEL OPENING AND PCB LAYOUT.
7. TERMINAL LENGTHS MAY BE DIFFERENT FROM TERMINAL TO TERMINAL.
8. THIS PART CONFORMS TO CLASS B REQUIREMENTS OF COSMETIC SPECIFICATION PS-45499-002 WITH THE EXCEPTION OF THE SURFACE INDICATED, WHICH IS A CLASS C SURFACE.
9. THIS PRODUCT IS COMPLIANT TO RoHS DIRECTIVE 2002/95/EC AND ELV ANNEX II OF DIRECTIVE 2000/53/EC.

ASSEMBLY MATERIAL NUMBER	NUMBER OF PORTS	DIM "A"	DIM "B"
445600001	2	28.96	25.68
445600003	4	57.71	54.43

FUNCTIONAL SYMBOLS ▽A = 0 ▽E = 0 ▽V = 0	THIS DRAWING CONTAINS INFORMATION THAT IS PROPRIETARY TO MOLEX ELECTRONIC TECHNOLOGIES, LLC AND SHOULD NOT BE USED WITHOUT WRITTEN PERMISSION	CURRENT REV DESC: MIGRATED TO NX						
	DIMENSION UNITS: mm	SCALE: 2:1	GENERAL TOLERANCES (UNLESS SPECIFIED)					
DIVISIONAL SYMBOLS	4 PLACES ±	ANGULAR TOL ± 0.5°	EC NO: 709327	2018/02/10	<b>PRODUCT CUSTOMER DRAWING</b>			
	3 PLACES ±	INITIAL REVISION:	DRWN: CCV	2022/07/12				
	2 PLACES ± 0.3	DRWN: MKAMAR	CHK'D: KLANG	2022/07/12	DOCUMENT NUMBER	DOC TYPE	DOC PART	REVISION
	1 PLACE ±	APPR: MKAMAR	APPR: KLANG	0001/03/28	SD-44560-001	PSD	001	G6
	0 PLACES ±	APPR: MKAMAR	0001/03/28	0001/03/28	MATERIAL NUMBER	CUSTOMER	SHEET NUMBER	
DRAFT WHERE APPLICABLE MUST REMAIN WITHIN DIMENSIONS	THIRD ANGLE PROJECTION	DRAWING	SERIES	44560	SEE CHART	GENERAL MARKET	1 OF 4	



- NOTES:**
- MATERIAL:**  
HOUSING: NYLON(PA), GLASS FILLED, UL94V-0, COLOR: BLACK  
TERMINALS: PHOSPHOR BRONZE  
SHIELD: BRASS, 0.18 THICK
  - FINISH:**  
**TERMINALS:**  
SELECT GOLD IN CONTACT AREA: 1.27 MICROMETERS MIN.,  
SELECT MATTE TIN IN PC TAIL AREA: 2.54 MICROMETERS MIN.,  
WITH OVERALL NICKEL UNDERPLATE: 1.27 MICROMETERS MIN.
  - SHIELD:**  
2.54 MICROMETERS NICKEL OVER 1.27 MICROMETERS  
COPPER UNDERPLATE; PCB GROUND TABS DIPPED IN TIN.
  - PRODUCT SPECIFICATION AND PROCESSING PARAMETERS: PS-44560-003.**
  - PACKAGING SPECIFICATION:**  
2 PORT: CONNECTOR PACKAGED IN TRAYS PER MOLEX PACKAGING SPECIFICATION  
PK-44560-004  
4 PORT: CONNECTOR PACKAGED IN TRAYS PER MOLEX PACKAGING SPECIFICATION  
PK-44560-005
  - CONFORMS TO FCC REGULATION PART 68.5 FOR MODULAR JACKS.
  - ENHANCED GROUND TABS SHIELD (OPTION -B-) IS SHOWN IN THIS DRAWING. (SEE CHART)
  - SEE SHEET (4) OF (4) FOR RECOMMENDED PANEL OPENING AND PCB LAYOUT.
  - TERMINAL LENGTHS MAY BE DIFFERENT FROM TERMINAL TO TERMINAL.
  - THIS PART CONFORMS TO CLASS B REQUIREMENTS OF COSMETIC SPECIFICATION PS-45499-002 WITH THE EXCEPTION OF THE SURFACE INDICATED, WHICH IS A CLASS C SURFACE.
  - THIS PRODUCT IS COMPLIANT TO RoHS DIRECTIVE 2002/95/EC AND ELV ANNEX II OF DIRECTIVE 2000/53/EC.

ASSEMBLY MATERIAL NUMBER	SHIELDING OPTION	NUMBER OF REAR GROUND TABS	NUMBER OF PORTS	DIM "A"	DIM "B"
445600002	A	1	2	29.44	25.68
445600004	A	3	4	58.19	54.43
445600012	B	1	2	29.44	25.68
445600014	B	3	4	58.19	54.43

THIS DRAWING CONTAINS INFORMATION THAT IS PROPRIETARY TO MOLEX ELECTRONIC TECHNOLOGIES, LLC AND SHOULD NOT BE USED WITHOUT WRITTEN PERMISSION

FUNCTIONAL SYMBOLS:  $\nabla/A = 0$ ,  $\nabla/E = 0$ ,  $\nabla/F = 0$

DIMENSION UNITS: mm | SCALE: 2:1

GENERAL TOLERANCES (UNLESS SPECIFIED):  
ANGULAR TOL:  $\pm 0.5^\circ$   
4 PLACES:  $\pm$   
3 PLACES:  $\pm$   
2 PLACES:  $\pm 0.3$   
1 PLACE:  $\pm$   
0 PLACES:  $\pm$

DIVISIONAL SYMBOLS: DRAFT WHERE APPLICABLE MUST REMAIN WITHIN DIMENSIONS

THIRD ANGLE PROJECTION:

DRAWING: A3-SIZE | SERIES: 44560 | MATERIAL NUMBER: SEE CHART | CUSTOMER: GENERAL MARKET | SHEET NUMBER: 2 OF 4

EC NO: 709327 | DRWN: CCV | 2018/02/10 | APPR: KLANG | 2022/07/12 | INITIAL REVISION: DRWN: MKAMAR | 0001/03/28 | APPR: MKAMAR | 0001/03/28

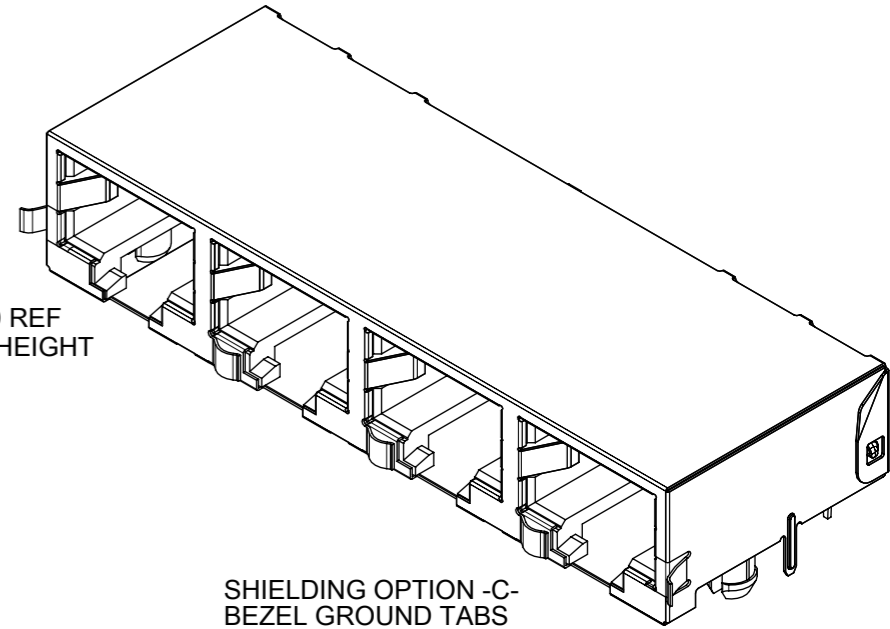
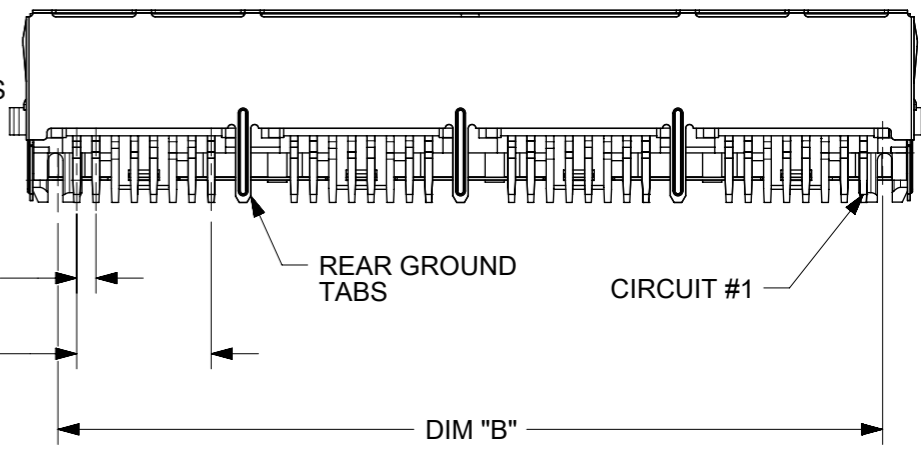
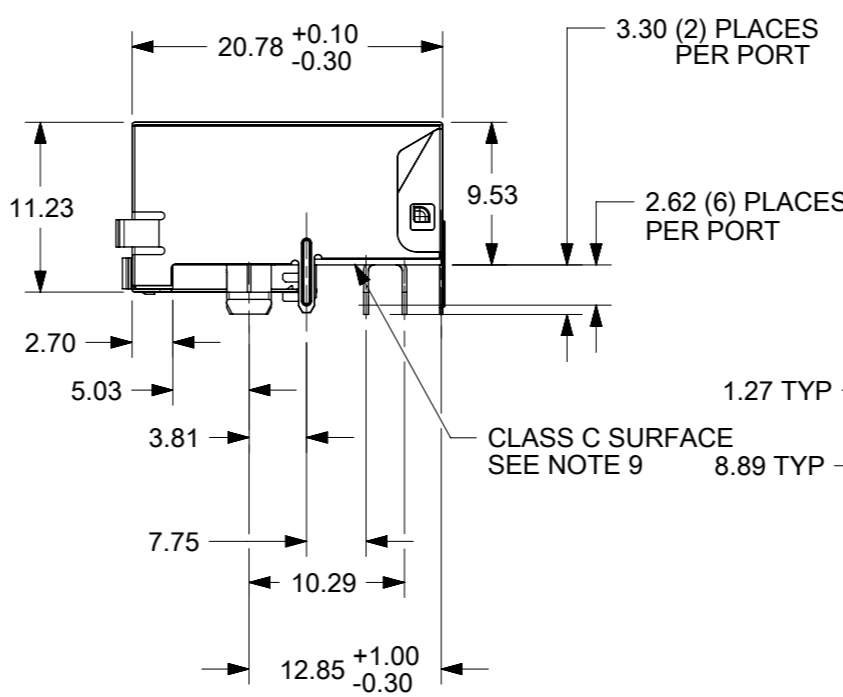
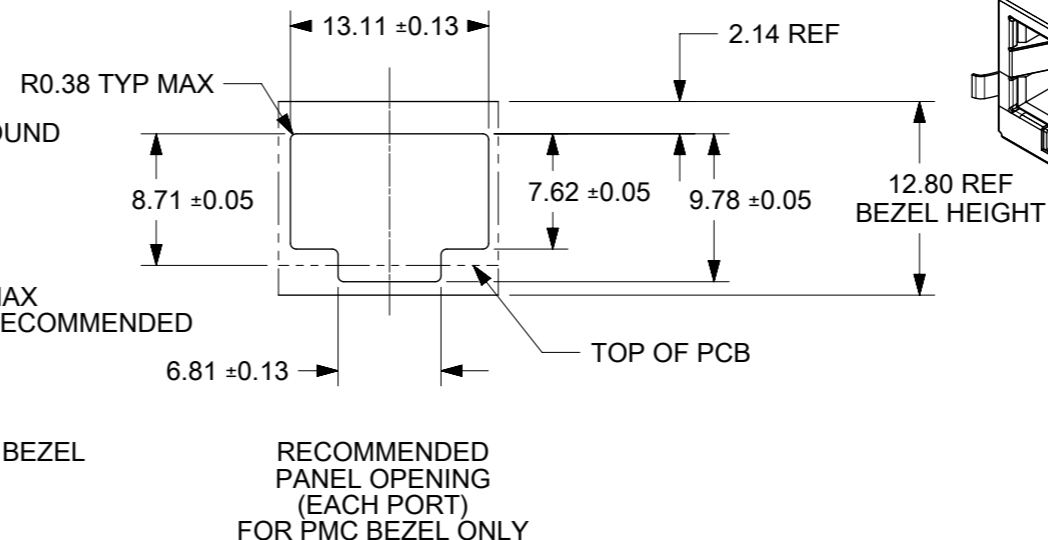
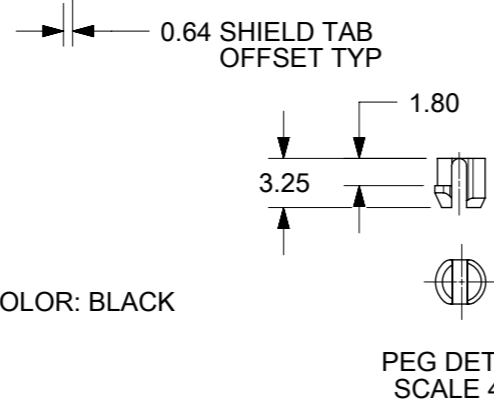
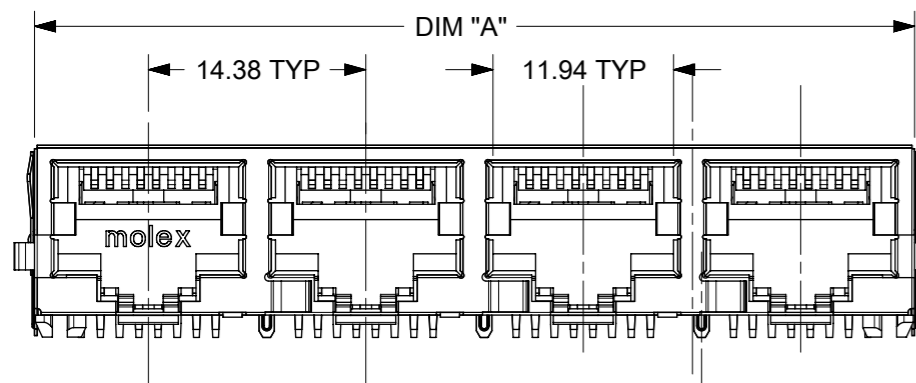
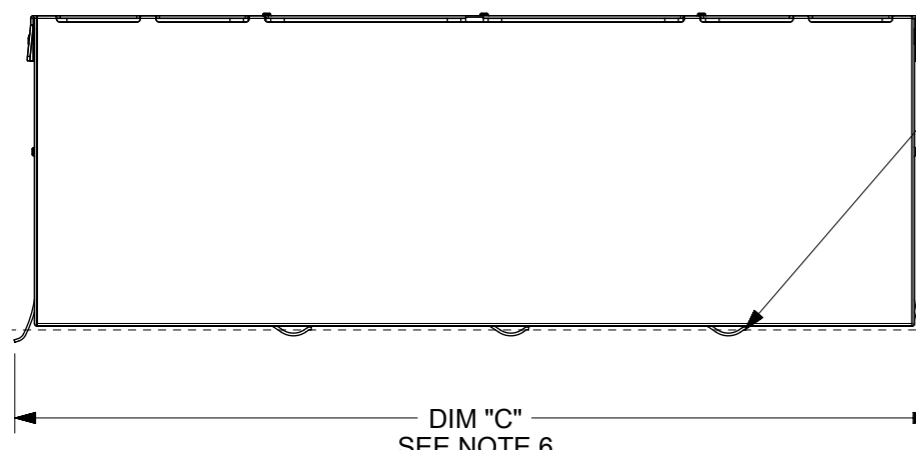
CURRENT REV DESC: MIGRATED TO NX

**molex**

COMPACT GANGED CATEGORY 5E MODJACK

PRODUCT CUSTOMER DRAWING

DOCUMENT NUMBER: SD-44560-001 | DOC TYPE: PSD | DOC PART: 001 | REVISION: G6



- NOTES:
- MATERIAL:  
HOUSING: NYLON(PA), GLASS FILLED, UL94V-0, COLOR: BLACK  
TERMINALS: PHOSPHOR BRONZE  
SHIELD: BRASS, 0.18 THICK
  - FINISH:  
TERMINALS:  
SELECT GOLD IN CONTACT AREA: 1.27 MICROMETERS MIN.,  
SELECT MATTE TIN IN PC TAIL AREA: 2.54 MICROMETERS MIN.,  
WITH OVERALL NICKEL UNDERPLATE: 1.27 MICROMETERS MIN.  
SHIELD:  
2.54 MICROMETERS NICKEL OVER 1.27 MICROMETERS  
COPPER UNDERPLATE; PCB GROUND TABS DIPPED IN TIN.
  - PRODUCT SPECIFICATION AND PROCESSING PARAMETERS: PS-44560-003.
  - PACKAGING SPECIFICATION:  
2 PORT: CONNECTOR PACKAGED IN TRAYS PER MOLEX PACKAGING SPECIFICATION PK-44560-004  
4 PORT: CONNECTOR PACKAGED IN TRAYS PER MOLEX PACKAGING SPECIFICATION PK-44560-005
  - CONFORMS TO FCC REGULATION PART 68.5 FOR MODULAR JACKS.
  - THIS DIMENSION HAS A MAXIMUM OF 34.82 FOR THE (2) PORT PART AND 63.57 FOR THE (4) PORT PART WHEN THE JACK IS INSTALLED BEHIND THE BEZEL.
  - SEE SHEET (4) OF (4) FOR RECOMMENDED PCB LAYOUT.
  - TERMINAL LENGTHS MAY BE DIFFERENT FROM TERMINAL TO TERMINAL.
  - THIS PART CONFORMS TO CLASS B REQUIREMENTS OF COSMETIC SPECIFICATION PS-45499-002 WITH THE EXCEPTION OF THE SURFACE INDICATED, WHICH IS A CLASS C SURFACE.
  - THIS PRODUCT IS COMPLIANT TO RoHS DIRECTIVE 2002/95/EC AND ELV ANNEX II OF DIRECTIVE 2000/53/EC.

"X"=NOT TOOLED	ASSEMBLY MATERIAL NUMBER	SHIELDING OPTION	NUMBER OF REAR GROUND TABS	NUMBER OF PORTS	DIM "A"	DIM "B"	DIM "C"
X	445600022	C	1	2	29.44	25.68	32.13
	445600024	C	3	4	58.19	54.43	60.88

THIS DRAWING CONTAINS INFORMATION THAT IS PROPRIETARY TO MOLEX ELECTRONIC TECHNOLOGIES, LLC AND SHOULD NOT BE USED WITHOUT WRITTEN PERMISSION

FUNCTIONAL SYMBOLS

THIS DRAWING DIMENSION UNITS: mm SCALE: 2:1

GENERAL TOLERANCES (UNLESS SPECIFIED)

ANGULAR TOL ± 0.5°

4 PLACES ±

3 PLACES ±

2 PLACES ± 0.3

1 PLACE ±

0 PLACES ±

DIVISIONAL SYMBOLS

DRAFT WHERE APPLICABLE MUST REMAIN WITHIN DIMENSIONS

THIRD ANGLE PROJECTION

DRAWING: A3-SIZE

SERIES: 44560

MATERIAL NUMBER: SEE CHART

CUSTOMER: GENERAL MARKET

SHEET NUMBER: 3 OF 4

EC NO: 709327  
DRWN: CCV  
CHK'D: KLANG  
APPR: KLANG

2018/02/10  
2022/07/12  
2022/07/12

INITIAL REVISION:  
DRWN: MKAMAR  
APPR: MKAMAR

0001/03/28  
0001/03/28

DOCUMENT NUMBER: SD-44560-001

DOC TYPE: PSD

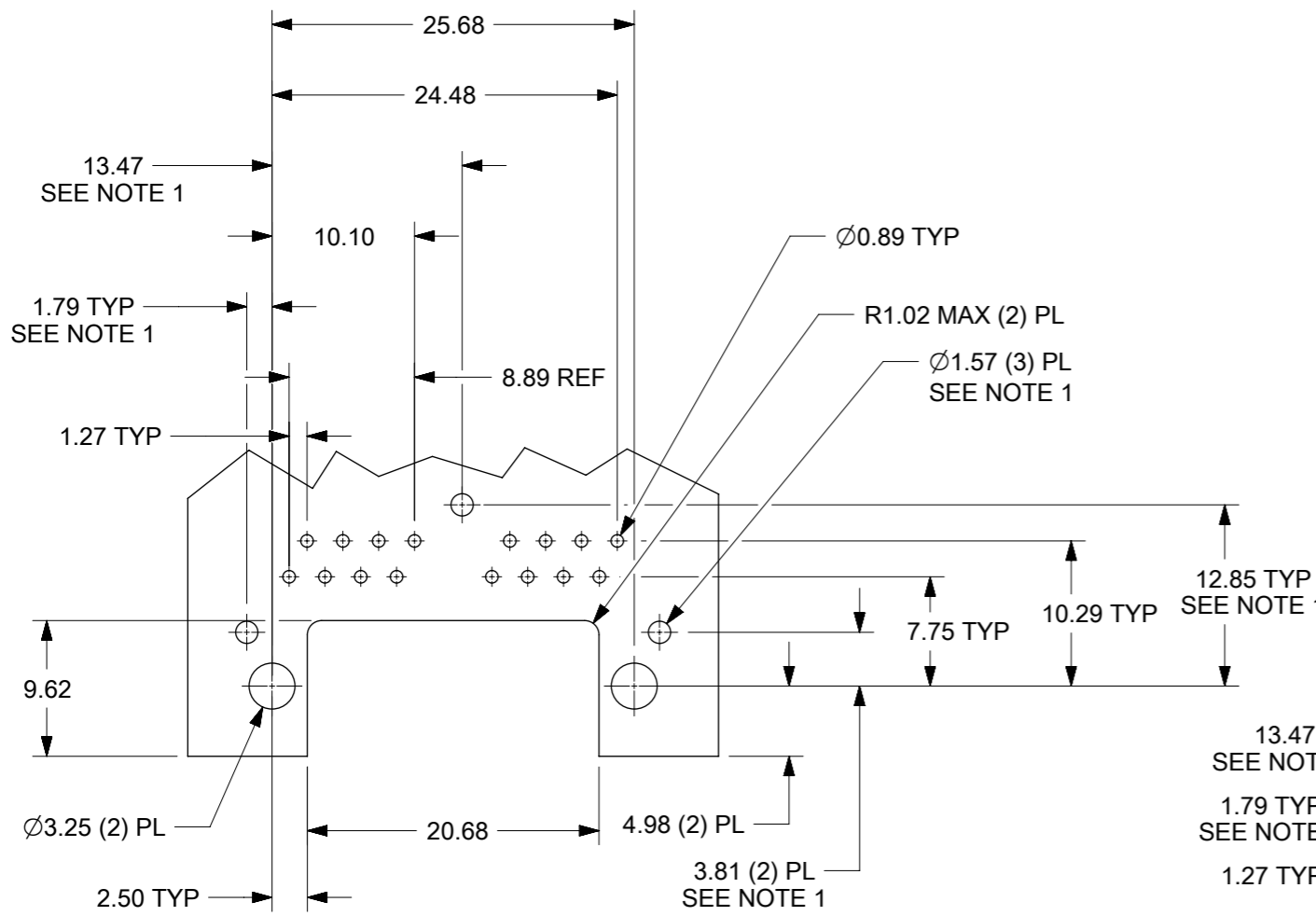
DOC PART: 001

REVISION: G6

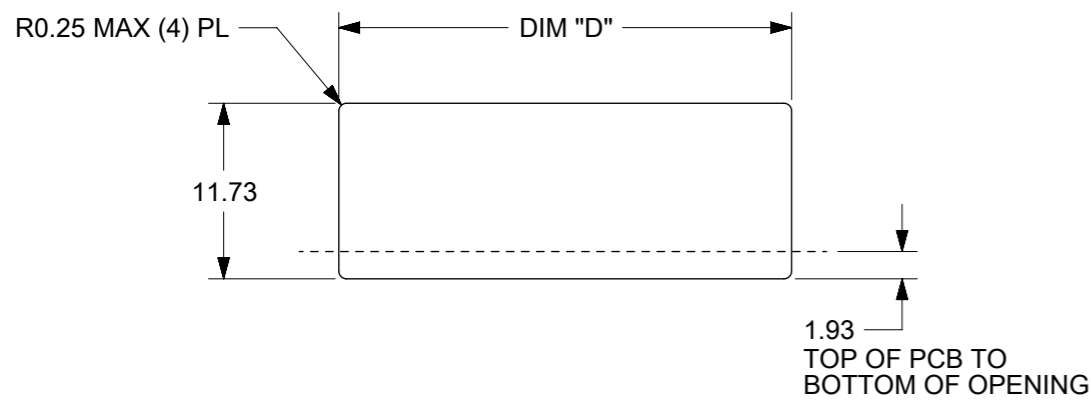
**molex**

COMPACT GANGED CATEGORY 5E MODJACK

PRODUCT CUSTOMER DRAWING

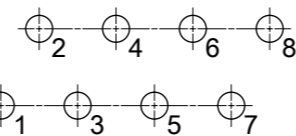


2 PORT ASSEMBLY  
PCB LAYOUT : COMPONENT SIDE  
RECOMMENDED PCB THICKNESS: 1.57  
TOLERANCE ±.076 UNLESS OTHERWISE SPECIFIED

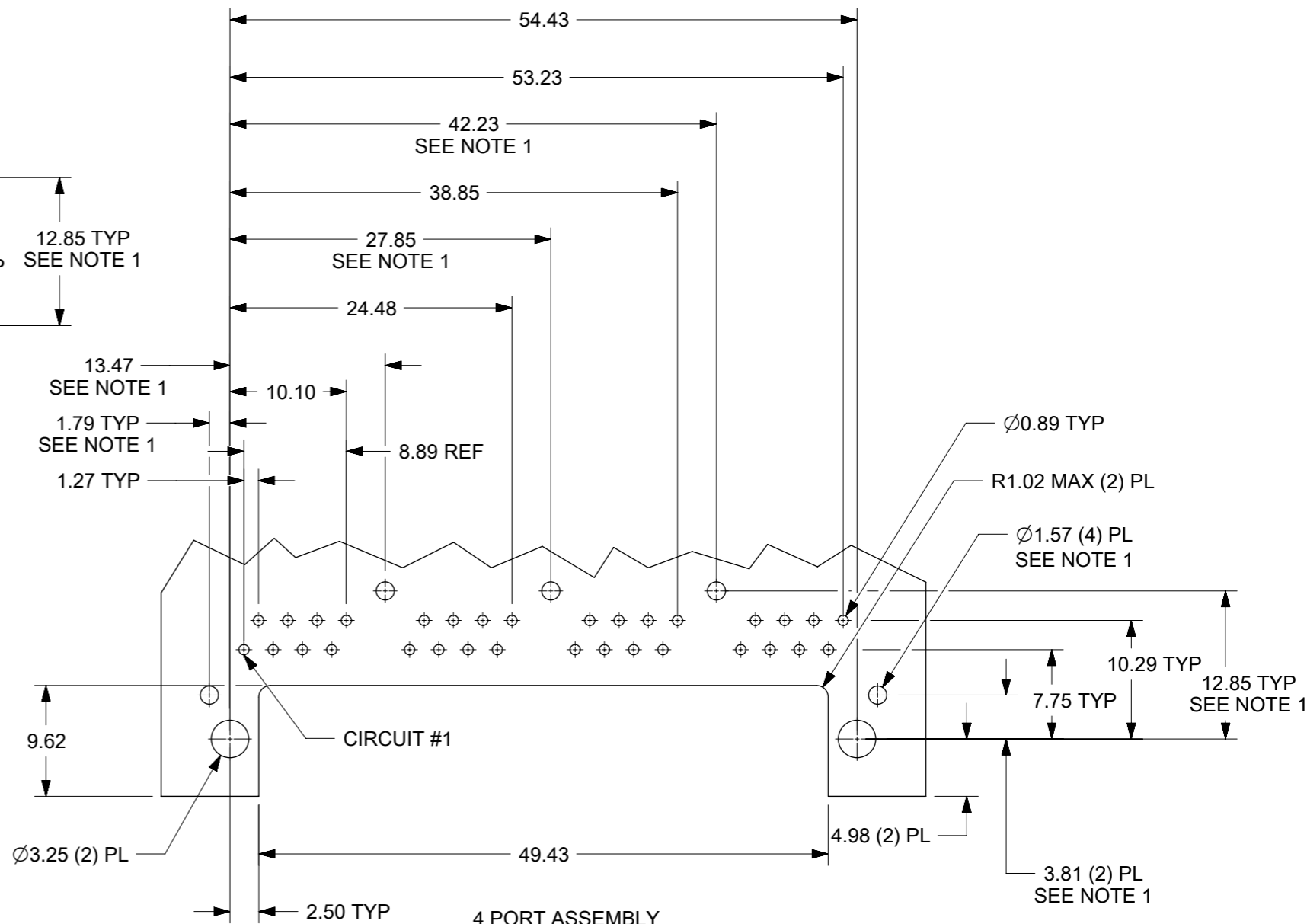


NUMBER OF PORTS	DIM "D"
2	30.20/1.189
4	58.95/2.321

RECOMMENDED  
PANEL OPENING  
SHIELDING OPTIONS  
A AND B



TYPICAL PC TERMINAL HOLE LAYOUT  
SCALE 5:1



4 PORT ASSEMBLY  
PCB LAYOUT : COMPONENT SIDE  
RECOMMENDED PCB THICKNESS: 1.57  
TOLERANCE ±.076 UNLESS OTHERWISE SPECIFIED

NOTES:

1. DIMENSIONS REFER TO ASSEMBLIES WITH SHIELDING OPTION

FUNCTIONAL SYMBOLS	THIS DRAWING CONTAINS INFORMATION THAT IS PROPRIETARY TO MOLEX ELECTRONIC TECHNOLOGIES, LLC AND SHOULD NOT BE USED WITHOUT WRITTEN PERMISSION		CURRENT REV DESC: MIGRATED TO NX				<b>molex</b>			
	△/A = 0	mm								SCALE 2:1
DIVISIONAL SYMBOLS	GENERAL TOLERANCES (UNLESS SPECIFIED)		EC NO: 709327		2018/02/10		COMPACT GANGED CATEGORY 5E MODJACK			
	ANGULAR TOL ± 0.5°		DRWN: CCV		2022/07/12					
	4 PLACES	±	CHK'D: KLANG		2022/07/12		PRODUCT CUSTOMER DRAWING			
	3 PLACES	±	APPR: KLANG		2022/07/12					
	2 PLACES	± 0.3	INITIAL REVISION:		DOCUMENT NUMBER		DOC TYPE		DOC PART	REVISION
1 PLACE	±	DRWN: MKAMAR		0001/03/28		SD-44560-001		PSD	001	G6
0 PLACES	±	APPR: MKAMAR		0001/03/28		MATERIAL NUMBER		CUSTOMER		SHEET NUMBER
DRAFT WHERE APPLICABLE MUST REMAIN WITHIN DIMENSIONS		THIRD ANGLE PROJECTION		DRAWING	SERIES	MATERIAL NUMBER	CUSTOMER		SHEET NUMBER	
				A3-SIZE	44560	SEE CHART	GENERAL MARKET		4 OF 4	