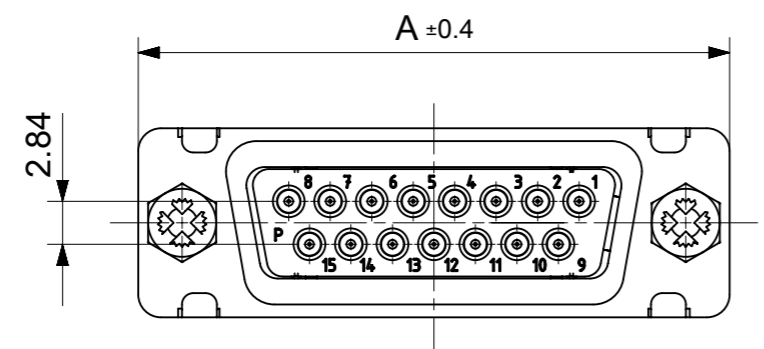
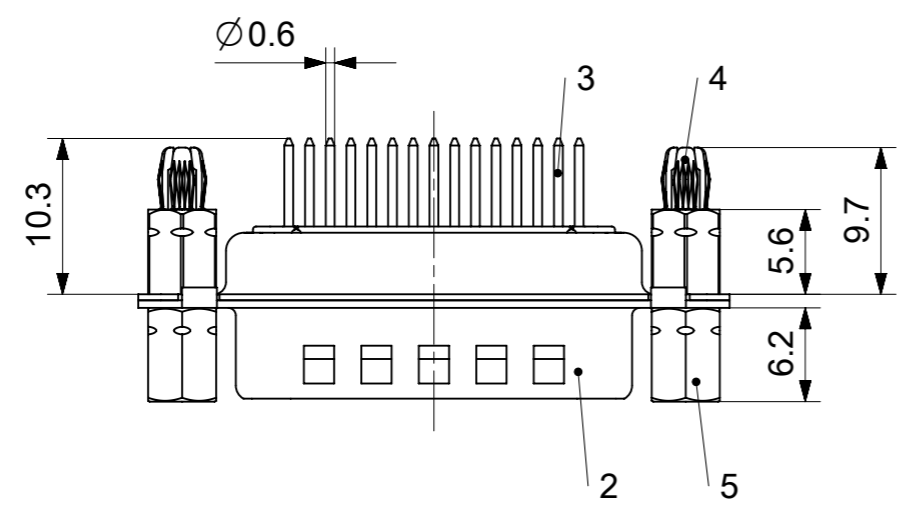
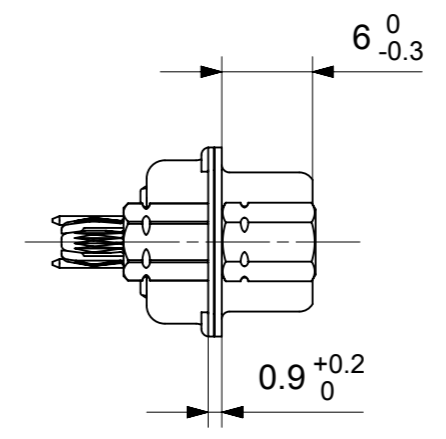
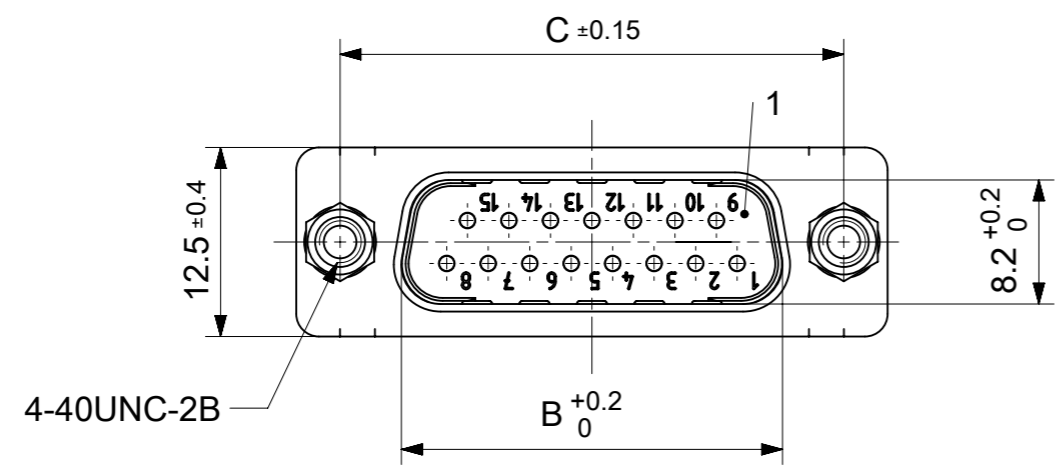


RoHS compliant  
by exemption



FCT Part number:

Fxx\*1)P1G1-2376

e.g. F15P1G1-2376

\*1) xx No. of contacts 09, 15, 25 or 37

\*2) y for performance classes 1, 2 or 3

(contact cycle for G1/G2/G3 = 500/200/50)

Material Number	xx*1)	y*2)	A[mm]	B[mm]	C[mm]	*E[mm]	*F[mm]
1731091056	09	G1	30.8	16.9	25	Ø1	Ø3
1731091253	15	G1	39.1	25.2	33.3		
-	25	-	53	38.9	47.04		
-	37	-	69.3	55.3	63.5		

\*PCB hole patterns ØE, ØF see document 2195600023

No.	Pc.	Part	Type Description/Material	Surface plating/Color/Class
5	2	Female screw lock	F-GSCH1/5-K441 / Steel	tin plated
4	2	Snap-in bolt	PCB 2.4mm / Brass	tin plated
3	xx	Signal contact	P1 / Brass	G1
2	1	Shell	Steel	tin plated
1	1	Insulator	PBT (-55°C to +130°C) acc. UL94V-0	white

MEASUREMENTS WITHOUT TOLERANCE ACC TO ISO 2768-m

REPLACEMENT FOR DOCUMENT NUMBER: FxxP1Gy-2376

FUNCTIONAL SYMBOLS: THIS DRAWING CONTAINS INFORMATION THAT IS PROPRIETARY TO MOLEX ELECTRONIC TECHNOLOGIES, LLC AND SHOULD NOT BE USED WITHOUT WRITTEN PERMISSION

SCALE: 2:1

GENERAL TOLERANCES (UNLESS SPECIFIED):

ANGULAR TOL ± °

4 PLACES ±

3 PLACES ±

2 PLACES ±

1 PLACE ±

0 PLACES ±

DIVISIONAL SYMBOLS:

DRAFT WHERE APPLICABLE MUST REMAIN WITHIN DIMENSIONS

FIRST ANGLE PROJECTION

DRAWING: A3-SIZE

SERIES: 173109

MATERIAL NUMBER: SEE TABLE

CUSTOMER: GENERAL MARKET

SHEET NUMBER: 1 OF 1

EC NO: 706086

DRWN: SKANDB 2021/11/29

CHK'D: MTEUBEL 2022/05/11

APPR: MTEUBEL 2022/05/11

INITIAL REVISION:

DRWN: SKANDB 2021/11/29

APPR: MTEUBEL 2022/05/11

DOCUMENT NUMBER: 1731091056

DOC TYPE: PSD

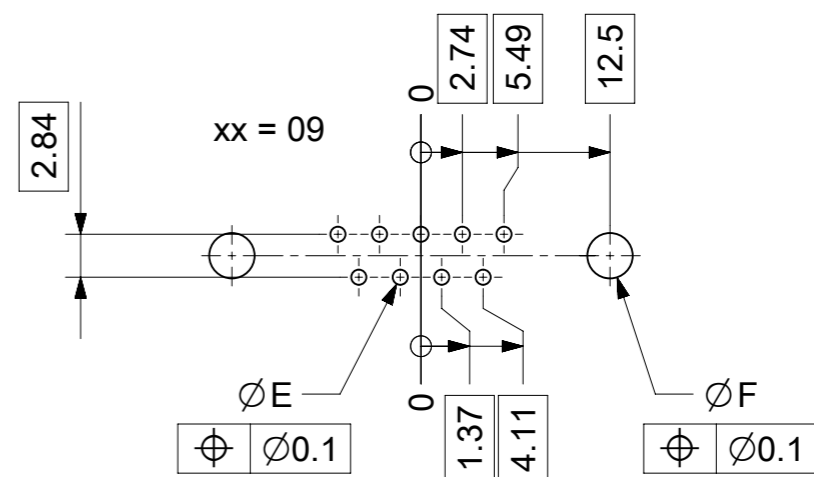
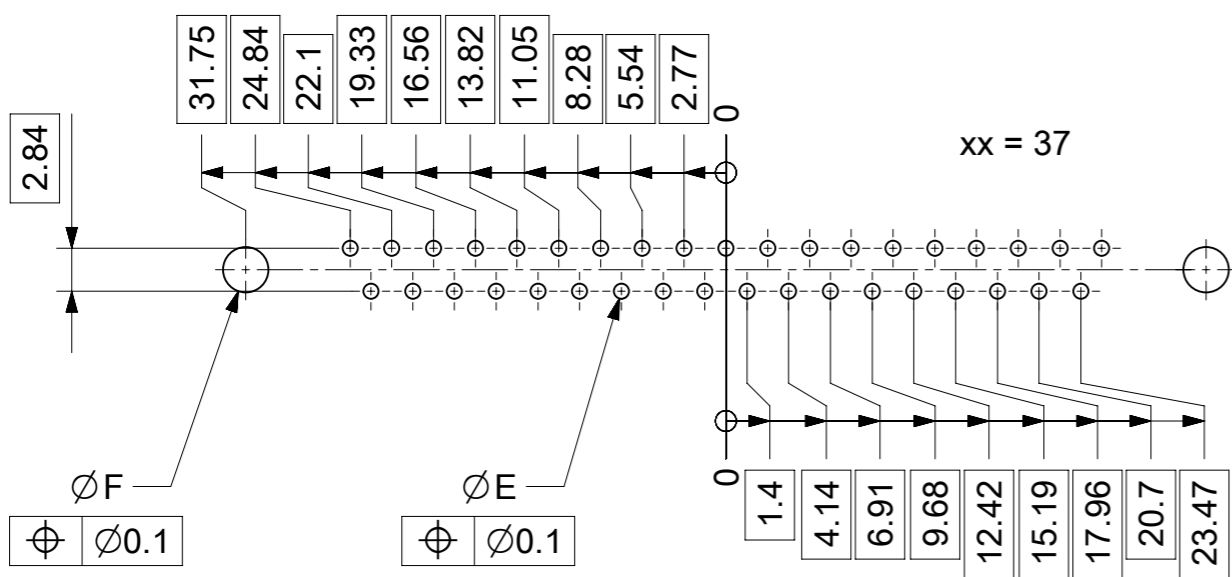
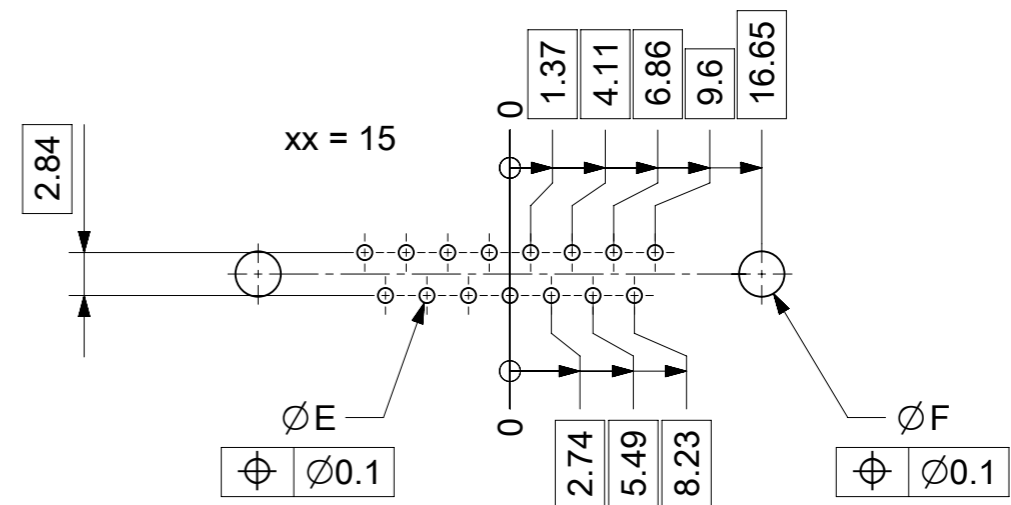
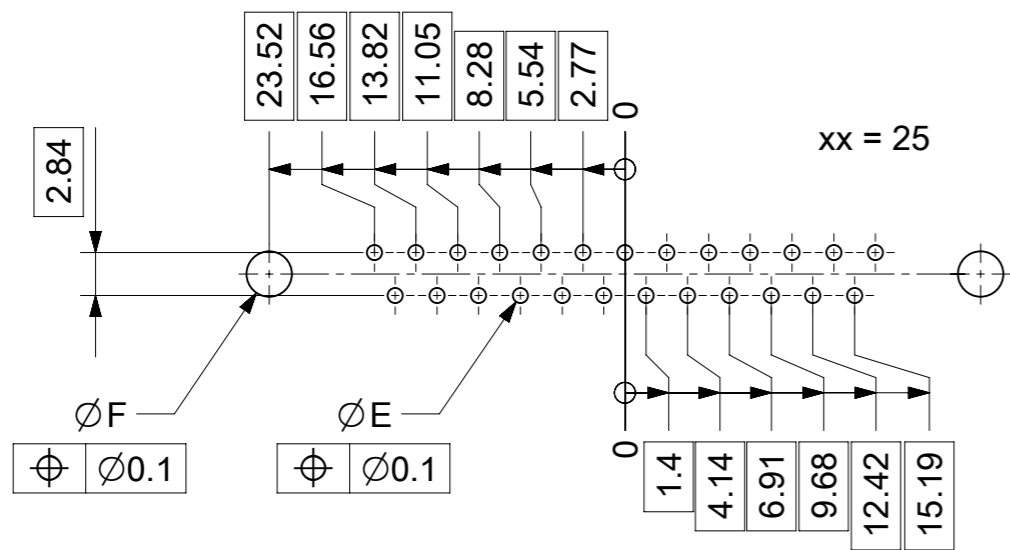
DOC PART: 000

REVISION: A

**molex**

FCT D-SUB MINIATURE CONNECTOR

PRODUCT CUSTOMER DRAWING



$\varnothing E$ ,  $\varnothing F$  see data sheet incl. connector  
 $\varnothing F$  connectors with accessories only

MEASUREMENTS WITHOUT TOLERANCE ACC TO ISO 2768-m				REPLACEMENT FOR DOCUMENT NUMBER: AM0023			
THIS DRAWING CONTAINS INFORMATION THAT IS PROPRIETARY TO MOLEX ELECTRONIC TECHNOLOGIES, LLC AND SHOULD NOT BE USED WITHOUT WRITTEN PERMISSION							
FUNCTIONAL SYMBOLS	DIMENSION UNITS	SCALE	CURRENT REV DESC:				
$\nabla_A = 0$	mm	2:1	EC NO: 713905				
$\nabla_E = 0$	GENERAL TOLERANCES (UNLESS SPECIFIED)		DRWN: SKANDB 2022/05/16				
$\nabla_F = 0$	ANGULAR TOL $\pm$ °		CHK'D: MTEUBEL 2022/07/12				
DIVISIONAL SYMBOLS	4 PLACES $\pm$		APPR: MTEUBEL 2022/07/12				
	3 PLACES $\pm$		INITIAL REVISION:				
	2 PLACES $\pm$		DRWN: SKANDB 2022/05/16				
	1 PLACE $\pm$		APPR: MTEUBEL 2022/07/12				
	0 PLACES $\pm$		DRAFT WHERE APPLICABLE MUST REMAIN WITHIN DIMENSIONS				
	FIRST ANGLE PROJECTION	DRAWING	SERIES	MATERIAL NUMBER	CUSTOMER	DOCUMENT NUMBER	DOC TYPE
		A3-SIZE	219560	219560	GENERAL MARKET	2195600023	PSD
						DOC PART	REVISION
						000	A
						SHEET NUMBER	
						1 OF 1	