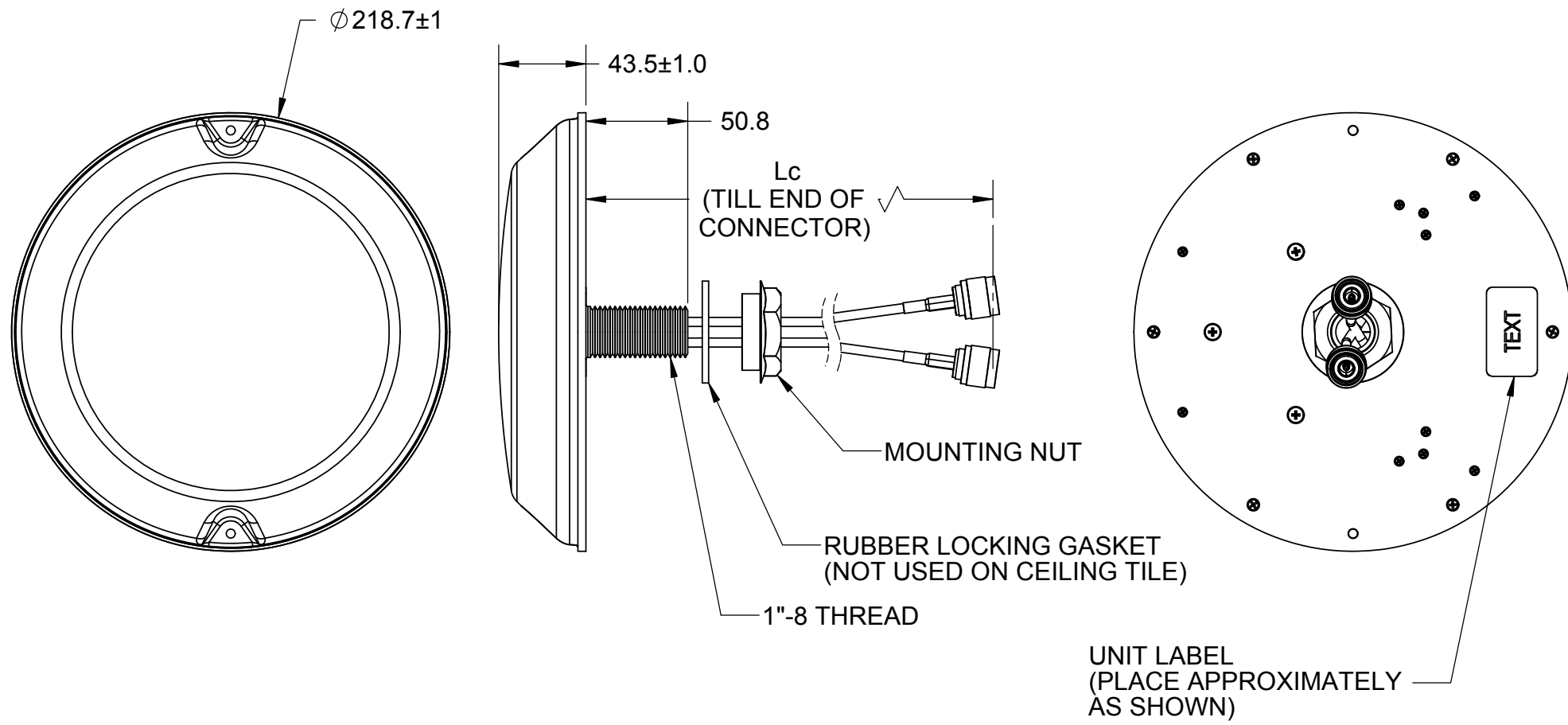


THIS DRAWING IS UNPUBLISHED.	RELEASED FOR PUBLICATION	-,-
© Copyright 2022 TE Connectivity Ltd.	ALL RIGHTS RESERVED.	

REVISIONS					
REV.	ECR#	ZONE	DESCRIPTION	CHANGED BY/DATE	APPROVED BY/DATE
AB	CRN#1017		CHANGED POWER INPUT: 50 Watts was 20 Watts, REMOVED EFFICIENCY SPEC & ADDED ISOLATION SPEC AND OPERATING TEMPERATURE RANGE.	WT NG 05-22-13	HANG 05-22-13
AC	ECN-IAS-03301		UPDATED SPECIFICATION TABLE	WT NG 31OCT14	HANG 31OCT14



TYPICAL ELECTRICAL SPECIFICATIONS	
Application	MIMO In-Building 2 Elements
Frequency Range	698 MHz-960MHz 1710MHz -2700 MHz
Gain	3.35 dBi @ 700 MHz Band 4.4 dBi @ 800 / 900 MHz Band 5.0 dBi @ 1800/1900/UMTS MHz Band 5.6 dBi @ 2400/ 2500 MHz Band
Isolation	<-20dB @ 700 / 800 MHz Band <-17dB @ 900 MHz Band <-20dB @ 1800/1900/UMTS MHz Band <-20dB @ 2400/ 2500 MHz Band
Azimuth Beam Width	Omnidirectional
Polarization	Linear H/V for each radiator
Nominal Impedance	50 Ohms
Operating Temperature Range	-30°C ~ +70°C
VSWR	2:1 max across the bands
Maximum Power Input	50 Watts (ambient temp of 25°C)
RF Connector	2X N FEMALE
Pigtail Length, L_c (mm)	300 ± 18
Cable type	RG58 (Plenum Rated)
Weight	0.42kg
Radome	White, ASA, UV stable, UL94 HB
RoHs	Compliant

MATERIAL: N/A			THIRD ANGLE PROJECTION
FINISH: N/A			
APPROVALS		DATE	DO NOT SCALE DRAWING INTERPRET DIMENSIONING AND TOLERANCING IN ACCORDANCE WITH ASME Y14.5M-2009 TOLERANCES UNLESS OTHERWISE SPECIFIED DIMENSIONS ARE IN MILLIMETERS
DRAWN BY	WT NG	09-09-11	
PROJ. ENG.	LL TEOH	09-09-11	
APPL. MECH.	GJ CHIN	09-09-11	
MFG.	CH FONG	09-09-11	
			ANGLE: 0 PLACE DECIMAL: ± 0.5 1 PLACE DECIMAL: ± 0.25 2 PLACE DECIMAL: ± 0.13 SURFACE ROUGHNESS $1.6 \sqrt{\text{ }}$

TE
connectivity

TITLE:
CMD69273-30NF

SIZE A3	DWG. NO. CMD69273-30NFMO	REV AC
SCALE: 1:5 PREVIOUS#		SHEET 1 OF 1