

SIRI-DOME

~145° wide beam

SPECIFICATION:

Dimensions	13.9 x 13.9 mm
Height	4.9 mm
Fastening	glue, pin
ROHS compliant	yes ⓘ

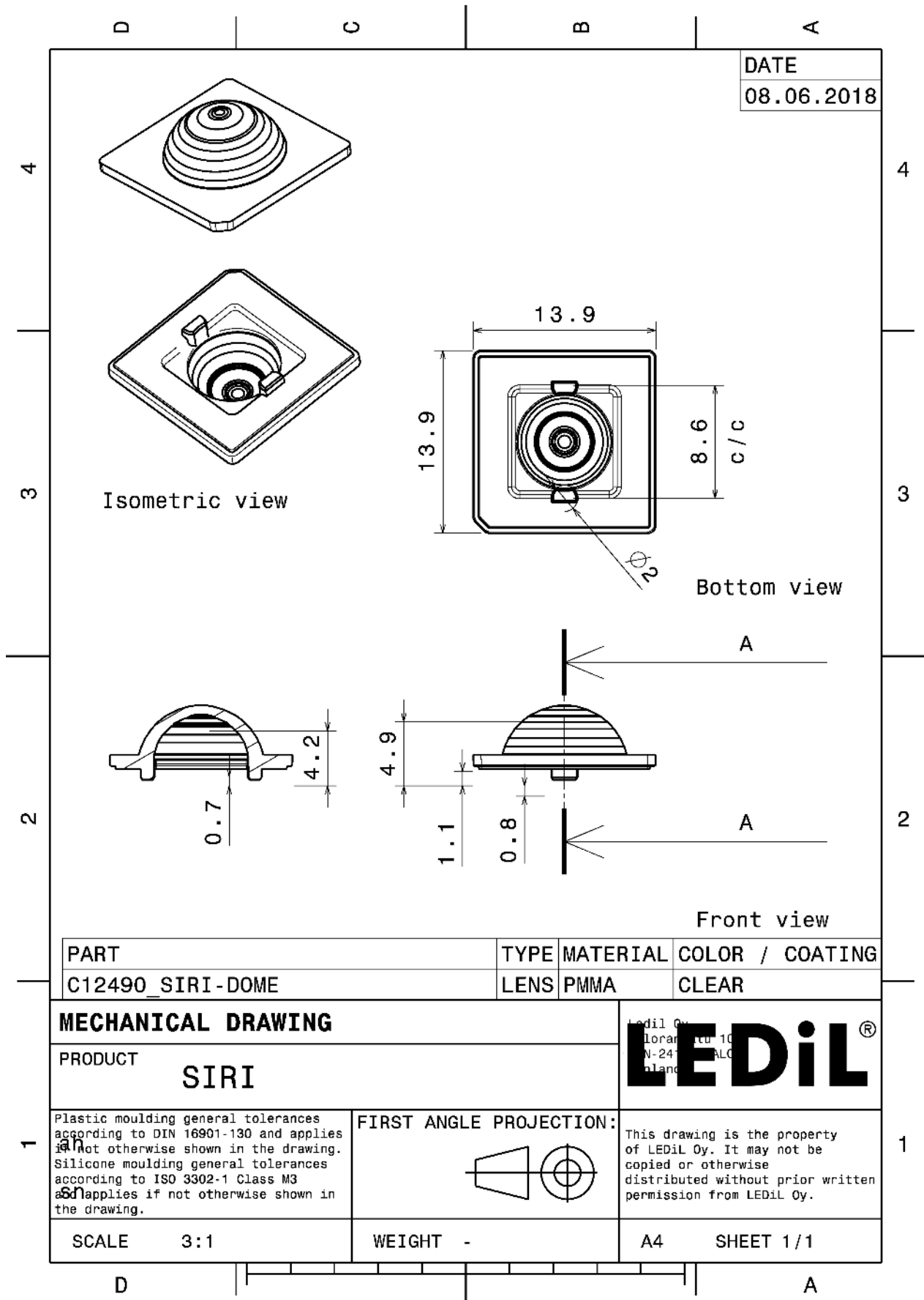
MATERIALS:

Component	Type	Material	Colour	Finish
SIRI-DOME	Single lens	PMMA	clear	

ORDERING INFORMATION:

Component	Qty in box	MOQ	MPQ	Box weight (kg)
C12490_SIRI-DOME » Box size: 300 x 250 x 250 mm	4560	240	240	0.0





PART		TYPE	MATERIAL	COLOR / COATING
C12490_SIRI-DOME		LENS	PMMA	CLEAR
MECHANICAL DRAWING				
PRODUCT SIRI				
Plastic moulding general tolerances according to DIN 16901-130 and applies if not otherwise shown in the drawing. Silicone moulding general tolerances according to ISO 3302-1 Class M3 and applies if not otherwise shown in the drawing.		FIRST ANGLE PROJECTION: 		This drawing is the property of LEDiL Oy. It may not be copied or otherwise distributed without prior written permission from LEDiL Oy.
SCALE	3:1	WEIGHT	-	

See also our general installation guide: www.ledil.com/installation_guide

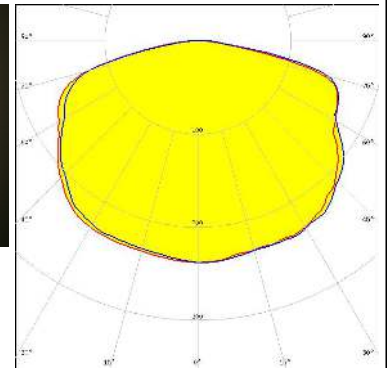
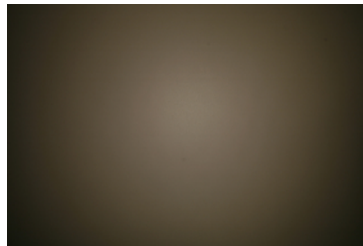
OPTICAL RESULTS (MEASURED):

CREE → LED

LED XM-L
FWHM / FWTM 148.0° / 168.0°
Efficiency 94 %
Peak intensity 0.3 cd/lm
LEDs/each optic 1
Light colour White
Required components:

CREE → LED

LED XM-L2
FWHM / FWTM 152.0° / 170.0°
Efficiency 94 %
Peak intensity 0.2 cd/lm
LEDs/each optic 1
Light colour White
Required components:



CREE → LED

LED XP-G2
FWHM / FWTM 140.0° / 168.0°
Efficiency 94 %
Peak intensity 0.3 cd/lm
LEDs/each optic 1
Light colour White
Required components:

LUMILEDS

LED LUXEON A
FWHM / FWTM 142.0° / 168.0°
Efficiency 94 %
Peak intensity 0.3 cd/lm
LEDs/each optic 1
Light colour White
Required components:

OPTICAL RESULTS (MEASURED):

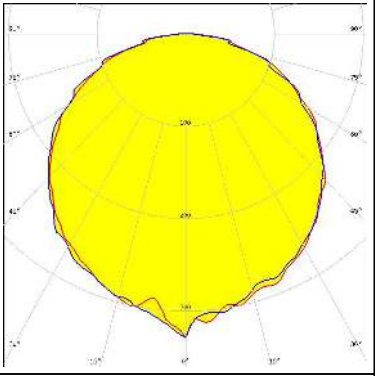
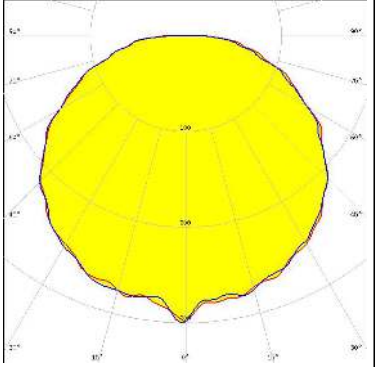


LED	NVSxx19B/NVSxx19C
FWHM / FWTM	154.0° / 180.0°
Efficiency	94 %
Peak intensity	0.2 cd/lm
LEDs/each optic	1
Light colour	White
Required components:	



LED	OSLON Square EC
FWHM / FWTM	124.0° / 165.0°
Efficiency	94 %
Peak intensity	0.3 cd/lm
LEDs/each optic	1
Light colour	White
Required components:	

OPTICAL RESULTS (SIMULATED):

CREE LED		
LED	J Series 2835	
FWHM / FWTM	117.0° / 168.0°	
Efficiency	96 %	
Peak intensity	0.3 cd/lm	
LEDs/each optic	1	
Light colour	White	
Required components:		
OSRAM Opto Semiconductors		
LED	OSCONIQ P 3737 (3W version)	
FWHM / FWTM	120.0° / 176.0°	
Efficiency	95 %	
Peak intensity	0.3 cd/lm	
LEDs/each optic	1	
Light colour	White	
Required components:		

GENERAL INFORMATION:

NOTE: The typical beam angle will be changed by different color, chip size and chip position tolerance. The typical total beam angle is the full angle measured where the luminous intensity is half of the peak value.

MATERIALS:

As part of our continuous research and improvement processes, and to ensure the best possible quality and availability of our products, LEDiL reserves the right to change material grades without notice.

PRODUCT DATA USER AGREEMENT AND DISCLAIMER:

The measured data in the provided downloadable LEDiL Product Datasheets and Mechanical 2D-Drawings is rounded and provided as reference for planning. LEDiL Oy's optical specifications have been verified by conducting performance testing of the products in accordance with the company's quality system. The reported data are averaged results of multiple measurements with typical variation. LEDiL Oy reserves the right to without prior notification make changes and improvements to its products.

LEDiL Oy assumes neither warranty, nor guarantee nor any other liability of any kind for the contents and correctness of the provided data. The provided data has been generated with highest diligence but the provided data may in reality not represent the complete possible variation range of all intrinsic parameters. Therefore, in certain cases a deviation from the provided data could occur.

LEDiL Oy reserves the right to undertake technical changes of its products without further notification which could lead to changes in the provided data. LEDiL Oy assumes no liability of any kind for the possible deviation from any provided data or any other damage resulting from the usage of the provided data.

The user agrees to this disclaimer and user agreement with the download or usage of the provided files.

LEDiL Oy

Joensuunkatu 13
FI-24240 SALO
Finland

LEDiL Inc.

228 West Page Street
Suite D
Sycamore IL 60178
USA

Ledil Optics Technology (Shenzhen) Co., Ltd.

405 , Block B
Casic Motor Building
Shenzhen 518057
P.R.CHINA

Local sales and technical support

[www.ledil.com/
where_to_buy](http://www.ledil.com/where_to_buy)

Shipping locations

Salo, Finland
Hong Kong, China

Distribution Partners

[www.ledil.com/
where_to_buy](http://www.ledil.com/where_to_buy)