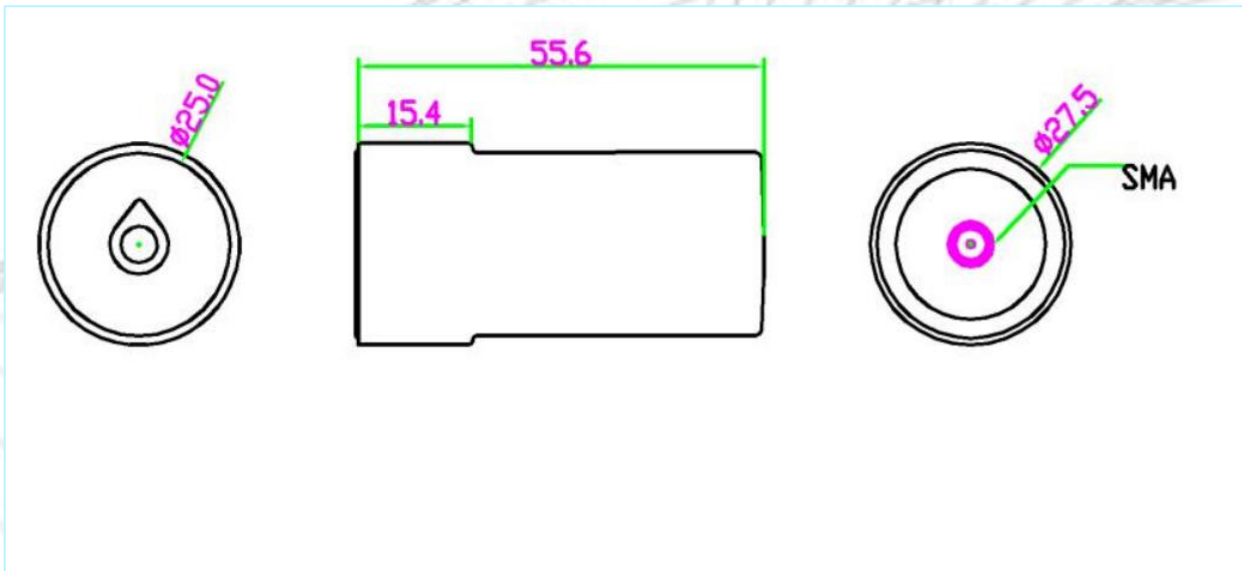


GNSS Helical Antenna

AN_GPS_301



Mechanical Dimension



GNSS Helical Antenna

Specifications

Item	Specifications	
Antenna	Center Frequency	Compass:B1/B2/B3; GPS:L1/L2; GLONASS:G1/G2; Galileo:E1/E5b
	Polarization	RHCP
	Gain	2dBi (Zenith)
	V.S.W.R	<2.0
	Impedance	50Ω
	Axial Ratio	≤3dB
	Horizontal coverage angle	360°
LNA	Gain	33±2dB
	Noise Figure	≤1.5dB
	Passband fluctuation	±2dB
	Supply Voltage	3.0~16V DC
	Current Consumption	≤35mA
	V.S.W.R	<2.0
Mechanical	Connector	SMA
Environmental	Operating Temperature	-40°C~+85°C
	Relative Humidity	Up to 95%
	Ingress Protection	IP67
	Vibration	10 to 55Hz with 1.5mm amplitude 2hours
	Environmentally Friendly	ROHS Compliant