

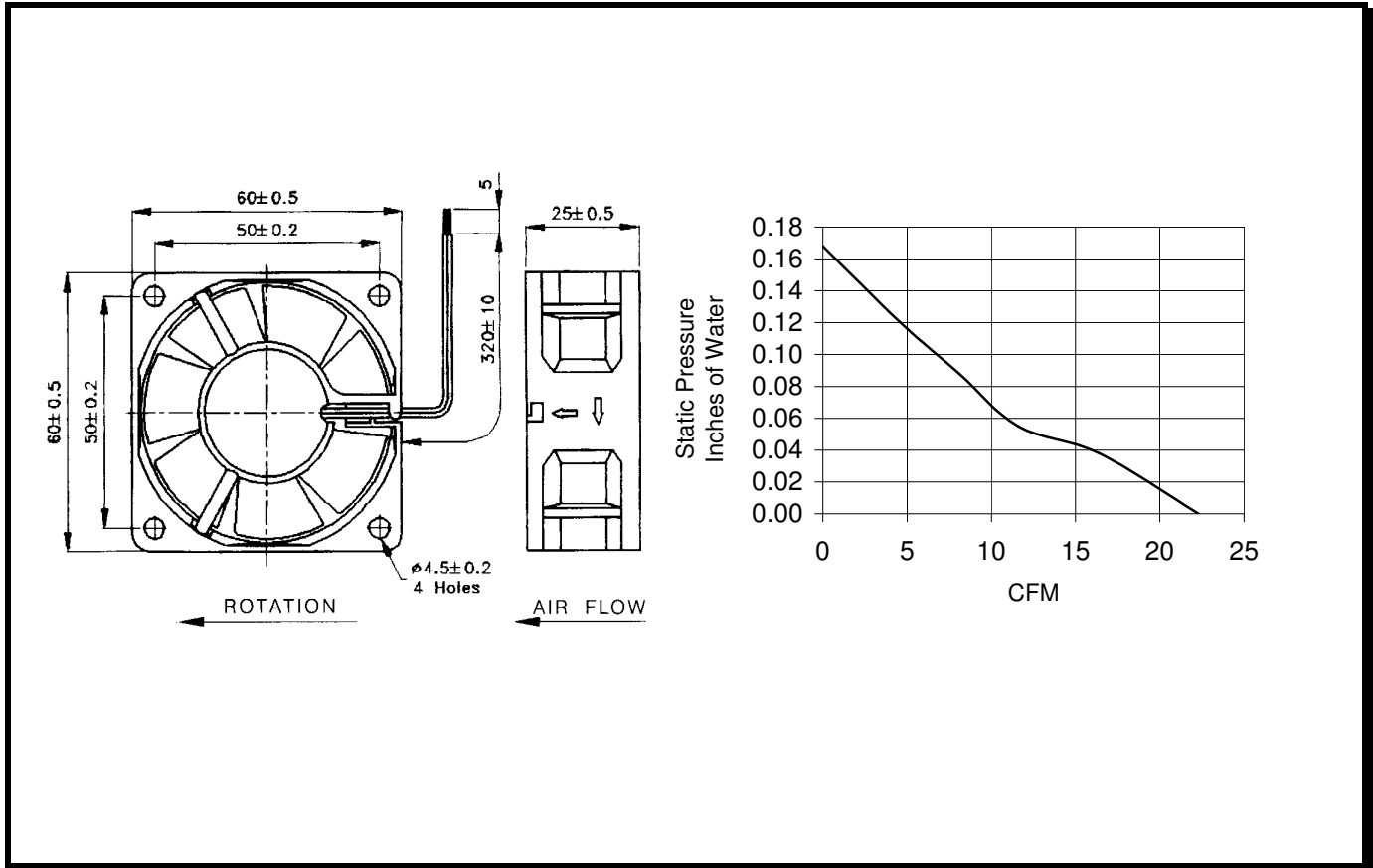
SPECIFICATIONS



Model Number: CR0612HB-A70GL
Part Number: 032704

August 5, 2005

Mechanical Drawing:



Motor:

Nominal Voltage	= 12 vdc
Operating Voltage Range	= 10.8 - 13.2 vdc
Nominal Running Current	= 0.230 amps
Running Power	= 2.76 watts
Average Speed	= 4500 rpm
Bearings	= Ball
Air Flow	= 23.2 cfm
Acoustic	= 32.3 dBA

Construction:

Venturi: Plastic, Black, UL 94V-0
 Propeller: Plastic, Black, UL 94V-0

Agency Approval:

UL, cUR, TUV

Additional Features:

- Brushless DC Motor
- Locked Rotor Protection
- Polarity Protected
- Automatic Restart Capability
- Operating Temperature: -10°C to 70°C
- Storage Temperature: -40°C to 85°C

Termination:

320mm Lead wires, 24 AWG, UL 1061
 Red - Fan Power
 Black - Fan Return

Life Expectancy:

This fan is designed for continuous duty life of 50,000 hours at 25°C.