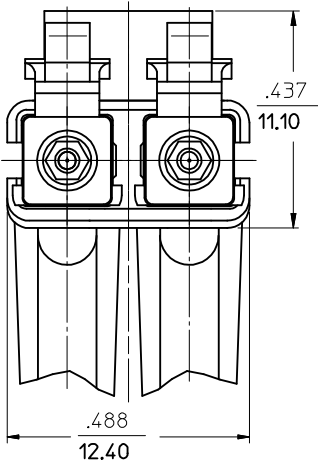
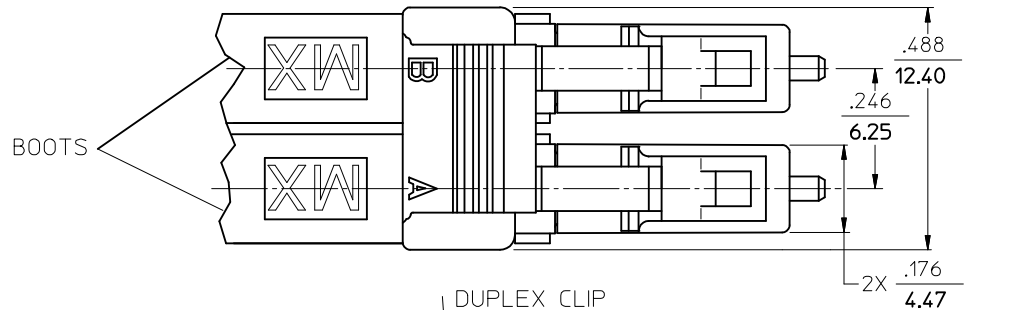
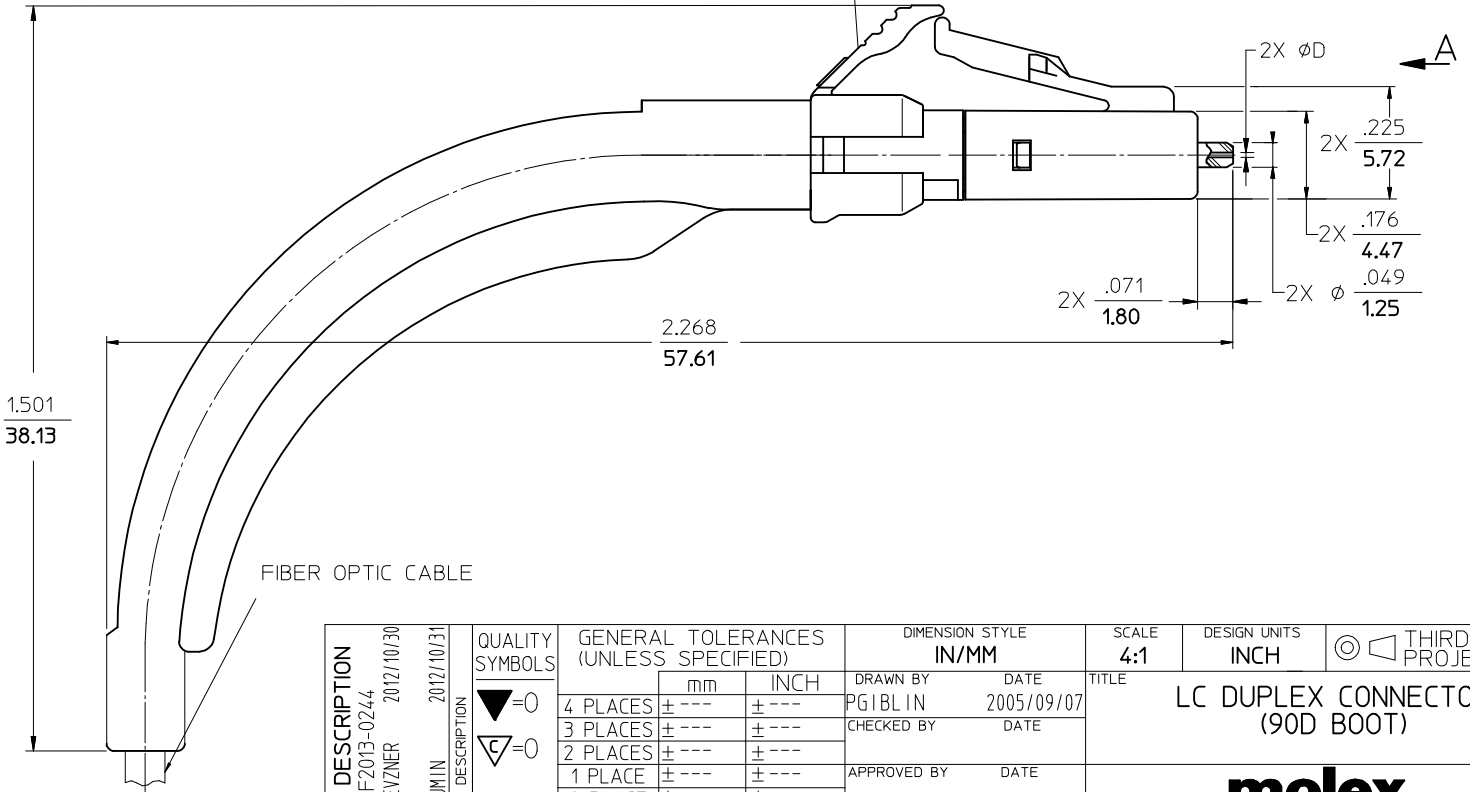


CONNECTOR P/N	ØD (µm)	CONNECTOR BODY COLOR	BOOT COLOR	CABLE Ø (mm)	CABLE TYPE
106025-2400	125.50	BLUE	WHITE	1.6	SINGLE MODE
106025-2600				2.0	
106025-3400				1.6	
106025-3600	2.0	MULTIMODE			
106025-4400	125.00			BLUE	1.6
106025-4600					2.0
106025-5400		1.6			
106025-5600	126.00	2.0	SINGLE MODE		
106025-6400	125.25	1.6			
106025-6600		2.0			



VIEW A



NOTES:  
 1. DUPLEX CLIP AND BOOTS SHOULD BE ASSEMBLED AFTER POLISHING OPERATION.

ENTER DESCRIPTION EC NO: MF2013-0244 DR: MANKPEVNER 2012/10/30 CHKD: LGUMIN 2012/10/31 APPR: LGUMIN 2012/10/31 REV: A1	QUALITY SYMBOLS	GENERAL TOLERANCES (UNLESS SPECIFIED)	DIMENSION STYLE	SCALE	DESIGN UNITS	THIRD ANGLE PROJECTION
	▽=0	mm INCH	IN/MM	4:1	INCH	
	∇=0	4 PLACES ± --- ± ---	DRAWN BY DATE	PGIBLIN 2005/09/07	TITLE	LC DUPLEX CONNECTOR (90D BOOT)
		3 PLACES ± --- ± ---	CHECKED BY DATE			
		2 PLACES ± --- ± ---	APPROVED BY DATE			
	1 PLACE ± --- ± ---	MATERIAL NO.	SEE TABLE	DOCUMENT NO.	SD-1060EE-EEEE	SHEET NO.
	0 PLACE ± ±	ANGULAR ±1/2°				1 OF 1
		DRAFT WHERE APPLICABLE MUST REMAIN WITHIN DIMENSIONS				
			SIZE B	THIS DRAWING CONTAINS INFORMATION THAT IS PROPRIETARY TO MOLEX INCORPORATED AND SHOULD NOT BE USED WITHOUT WRITTEN PERMISSION		