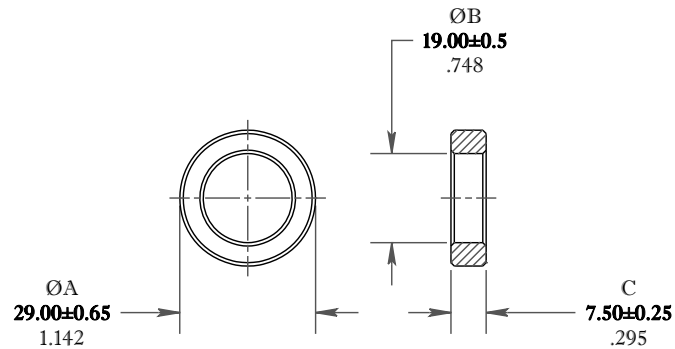


** Not all features are shown in this drawing. For more detailed information, please contact your Fair-Rite representative.

SIZE	PART NO.	REV.
B	5979001001	~

UNCONTROLLED ~CATALOG~ DRAWING



DIMENSIONS
BOLD NUMBERS ARE IN MILLIMETERS
 LIGHT NUMBERS ARE IN INCHES

ELECTRICAL SPECIFICATIONS						
$\Sigma l/A(\text{mm}^{-1})$	l_e (mm)	A_e (mm ²)	V_e (mm ³)	L_o (nH)	AL (nH) @10 kHz <10gauss	$\tan \delta/\mu_i$ @500 kHz <1gauss
1.9817	73.2	36.9	2703	0.634	860±25%	≤15X10E-6

POWER LOSS @ 100°C
 f=500 kHz, 500g P.L. <0.35 Watts

NOTES:

1 - BURNISH TO BREAK SHARP EDGES.

FR# 79

FAIR-RITE PRODUCTS CORP.						
TITLE TOROID						
DRAWN BY D. FOOTE	DATE 3/20/2019	SIZE B	PART NO. 5979001001	REV. ~		
CHKD BY		APPRVD BY		SCALE NONE	SHEET 1 of 1	