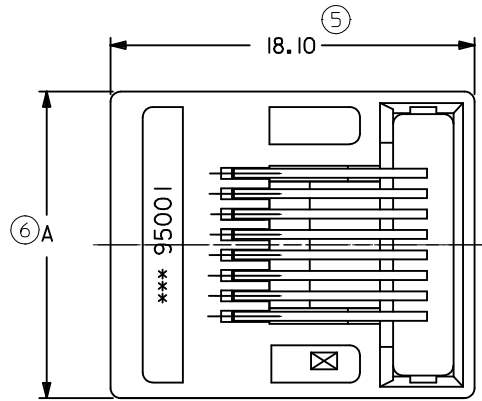
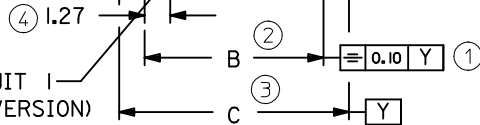


**6 & 8 VERSIONS**

8 VERSION SHOWN

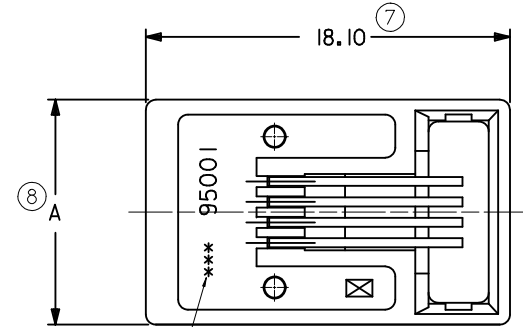
CIRCUIT I  
(8 CKTS VERSION)

CIRCUIT I  
(6 CKTS VERSION)



VIEW Z

**4 VERSION ONLY**



NOTE 5

**NOTES :**

**1- MATERIAL:**

- HOUSING: LCP GLASS FILLED UL 94V-0, COLOUR BLACK.
- TERMINAL: COPPER ALLOY
- BASE FINISH: NICKEL
- CONTACT SURFACE FINISH:  
GOLD  
OR  
GOLD FLASH OVER PALLADIUM NICKEL.

EXCEEDS PRODUCT REQUIREMENTS BASED ON PS-95501

2- JACK FOR MATING WITH F.C.C. 68 PLUGS 90075 MOLEX SERIES.

3- PRODUCT SPECIFICATION PS-95501.

4- PACKAGING SPECIFICATION PK-95001: STANDARD PACKAGING SHEET 1.

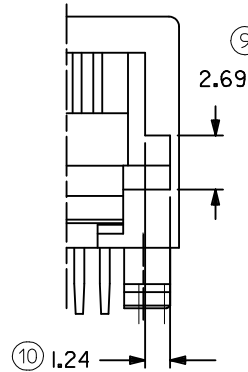
SPECIAL PACKAGING SHEET 2. TUBE PACKAGING SHEET 3.

5- MANUFACTURING I.D. CAN BE EITHER MXF, MG OR MXI.

6- RECOMMENDED PCB THICKNESS: 1.57mm

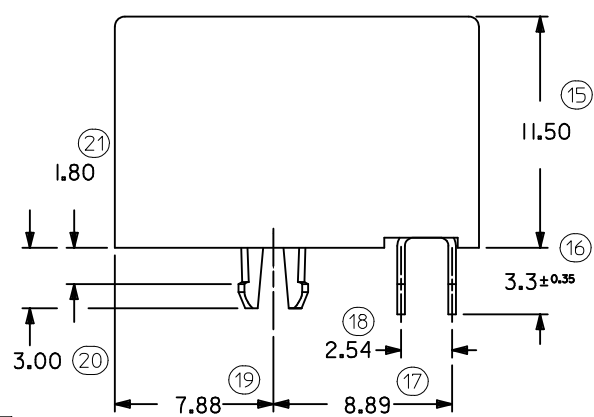
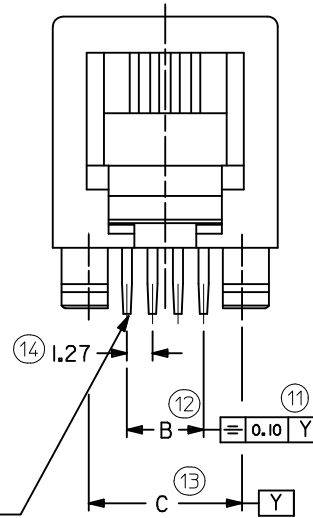
INSPECTION NUMBERS USED: 1 - 50

LAST INSPECTION NUMBER: 21



OPTIONAL  
KEYING

CIRCUIT I  
(4 CKTS VERSION)



DIM.	TYPE	POS. 4		POS. 6		POS. 8
		4 CKTS.	4 CKTS.	6 CKTS.	8 CKTS.	8 CKTS.
A		11.18	13.21	13.21	15.24	
C		7.62	10.16	10.16	11.43	
B		3.81	3.81	6.35	8.89	

**MODIFIED NOTES.**

EC NO: IPG2012-0602

DRW:DBYRNES 2012/03/30

CHKD:MSHAHAN 2012/03/30

APPR:EFOLAN 2012/06/26

QUALITY SYMBOLS

▽ = 0

◻ = 0

GENERAL TOLERANCES (UNLESS SPECIFIED)

	mm	INCH
4 PLACES	± ---	± ---
3 PLACES	± ---	± ---
2 PLACES	± 0.15	± ---
1 PLACE	± 0.25	± ---
ANGULAR ± ---°		

DRAFT WHERE APPLICABLE MUST REMAIN WITHIN DIMENSIONS

DIMENSION STYLE: MM ONLY

SCALE: 4:1

DESIGN UNITS: METRIC

THIRD ANGLE PROJECTION

DRAWN BY: DBYRNES DATE: 2006/08/02

CHECKED BY: EOMAHONY DATE: 2006/08/12

APPROVED BY: EOMAHONY DATE: 2006/08/12

MATERIAL NO. SEE CHART, SHEETS 4 & 5

TITLE: R/A LOW PROFILE PC JACK 4,6,8 CKTS SIZE THROUGH HOLE VERSION

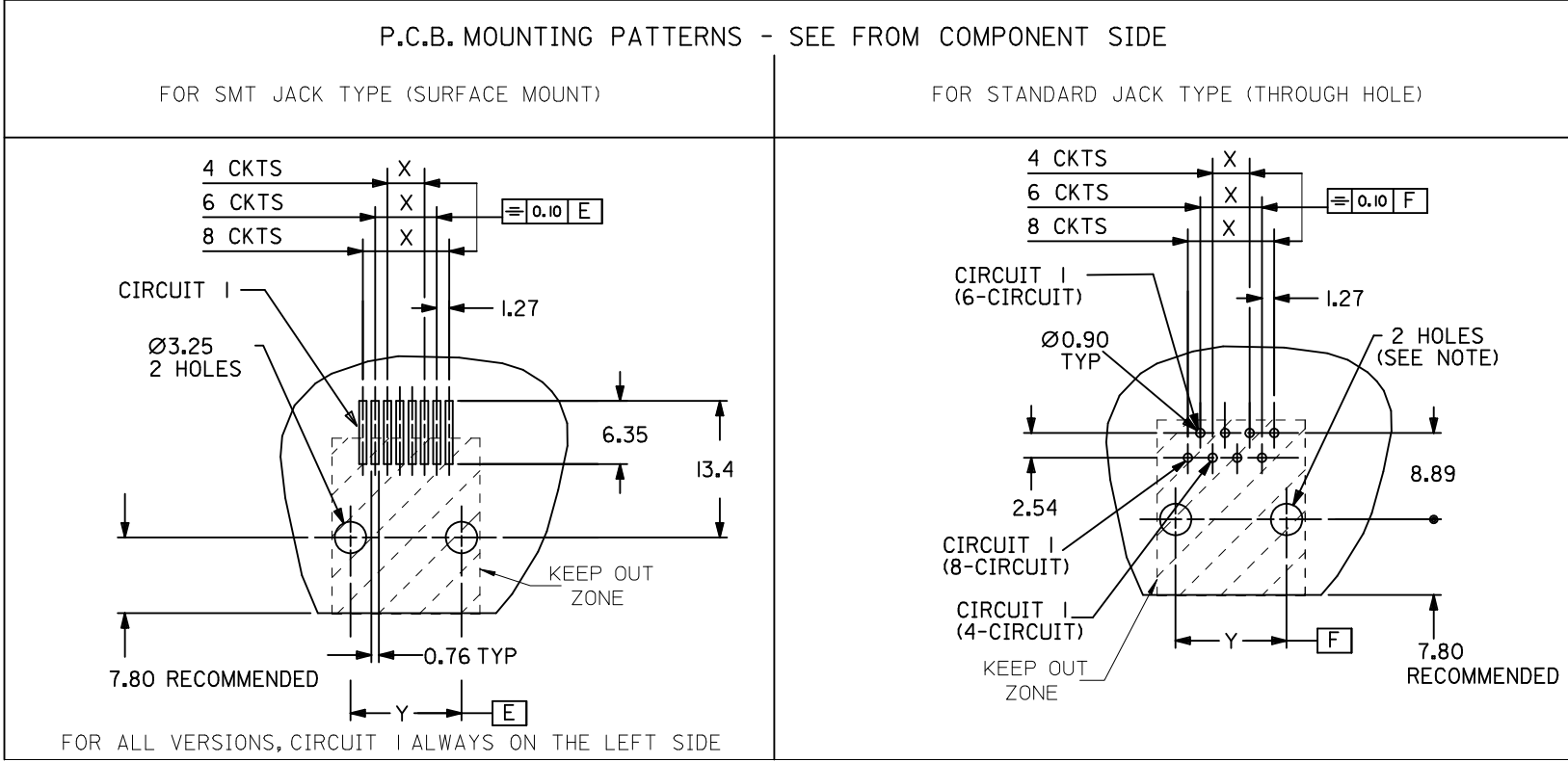
MOLEX MOLEX INCORPORATED

DOCUMENT NO. SD-95501-001

SHEET NO. 1 OF 5

THIS DRAWING CONTAINS INFORMATION THAT IS PROPRIETARY TO MOLEX INCORPORATED AND SHOULD NOT BE USED WITHOUT WRITTEN PERMISSION

TYPE \ DIM.	POS. 4	POS. 6		POS. 8
	4 CKTS.	4 CKTS.	6 CKTS.	8 CKTS.
Y ±0.05	7.62	10.16	10.16	11.43
X ±0.05	3.81	3.81	6.35	8.89



**NOTE:**  
 FOR CONVECTION SOLDERING: DIA 3.25±0.05  
 FOR WAVE SOLDERING: DIA 3.20±0.10  
 ALL DIMENSIONS REF DIMENSIONS

REMOVED INCHES EC NO: E2012-0079 DRWN: JOCONNOR 2011/02/23 CHKD: APPR: EFOLAN 2011/09/28	QUALITY SYMBOLS	GENERAL TOLERANCES (UNLESS SPECIFIED)	DIMENSION STYLE	SCALE	DESIGN UNITS	THIRD ANGLE PROJECTION
	▼=0 ◻=0	mm    INCH 4 PLACES ± --- ± --- 3 PLACES ± --- ± --- 2 PLACES ± 0.15 ± --- 1 PLACE ± 0.25 ± --- ANGULAR ± ---°	MM ONLY	2:1	METRIC	
	REV	DRAWN BY	DATE	TITLE		
		DBYRNES	2006/08/02	R/A LOW PROFILE JACK PC JACK 4,6,8 CKT SIZE SMT AND STANDARD VERSION		
		EOMAHONY	2006/08/12	MOLEX INCORPORATED DOCUMENT NO. SD-95501-001		
	APPROVED BY	DATE	SHEET NO.			
	EOMAHONY	2006/08/12	3 OF 5			
	MATERIAL NO.	THIS DRAWING CONTAINS INFORMATION THAT IS PROPRIETARY TO MOLEX INCORPORATED AND SHOULD NOT BE USED WITHOUT WRITTEN PERMISSION				
	SEE CHART SHEETS 4 & 5					

# SPECIAL PACKAGING TUBE, SEE PACKAGING SPEC PK95001 SHEET 3

PART NO FOR JACK ASSEMBLY  
THROUGH HOLE VERSION

PART NO FOR JACK ASSEMBLY  
SMT VERSION

HOUSING SIZE	LOADED CONTACTS
4	4
6	4
6	6
8	8

LCP GLASS FILED 94V0,COLOR BLACK.							
NO KEY	TOOLED	KEY	TOOLED		TOOLED		TOOLED
NOT RIBBED	TOOLED	NOT RIBBED	TOOLED		TOOLED		TOOLED
95501-2401	X						
95501-2601	X						
95501-2611	X						
95501-2821	X						

LCP GLASS FILLED 94V0 COLOUR BLACK							
NO KEY	TOOLED	KEY	TOOLED	NO KEY	TOOLED	KEY	TOOLED
NOT RIBBED	TOOLED	NOT RIBBED	TOOLED	NOT RIBBED	TOOLED	NOT RIBBED	TOOLED
95501-6449	X						
95501-6649	X						
95501-6669	X						
95501-6889	X	95501-6890	X				

REMOVED OPTIONS EC NO: IPG2012-0602 DRW:DBYRNES 2012/03/30 CHKD:MSHAHAN 2012/03/30 APPR:EFOLAN 2012/06/26	DESCRIPTION REV	QUALITY SYMBOLS ▽=0 ◻=0	GENERAL TOLERANCES (UNLESS SPECIFIED)		DIMENSION STYLE <b>MM ONLY</b>		SCALE ---	DESIGN UNITS METRIC	THIRD ANGLE PROJECTION			
				mm	INCH	DRAWN BY DBYRNES	DATE 2006/08/02	TITLE <b>LOW PROFILE R/A JACK STANDARD AND SMT VERSION TUBE PACKAGING</b>  <b>MOLEX INCORPORATED</b>				
			4 PLACES	± ---	± ---	CHECKED BY EOMAHONY	DATE 2006/08/12					
			3 PLACES	± ---	± ---	APPROVED BY EOMAHONY	DATE 2006/08/12					
2 PLACES	± ---	± ---	ANGULAR ± ---°		MATERIAL NO. <b>SEE CHART</b>		DOCUMENT NO. <b>SD-95501-001</b>		SHEET NO. <b>5 OF 5</b>			
1 PLACE	± ---	± ---	DRAFT WHERE APPLICABLE MUST REMAIN WITHIN DIMENSIONS		SIZE <b>A3</b>		THIS DRAWING CONTAINS INFORMATION THAT IS PROPRIETARY TO MOLEX INCORPORATED AND SHOULD NOT BE USED WITHOUT WRITTEN PERMISSION					