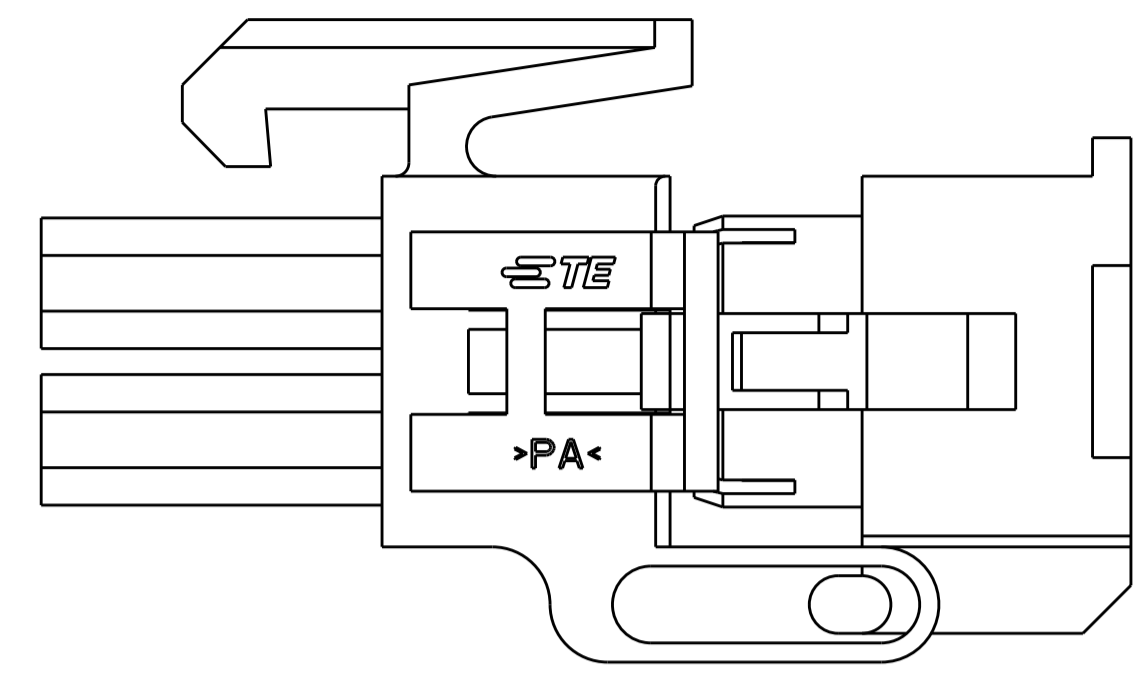
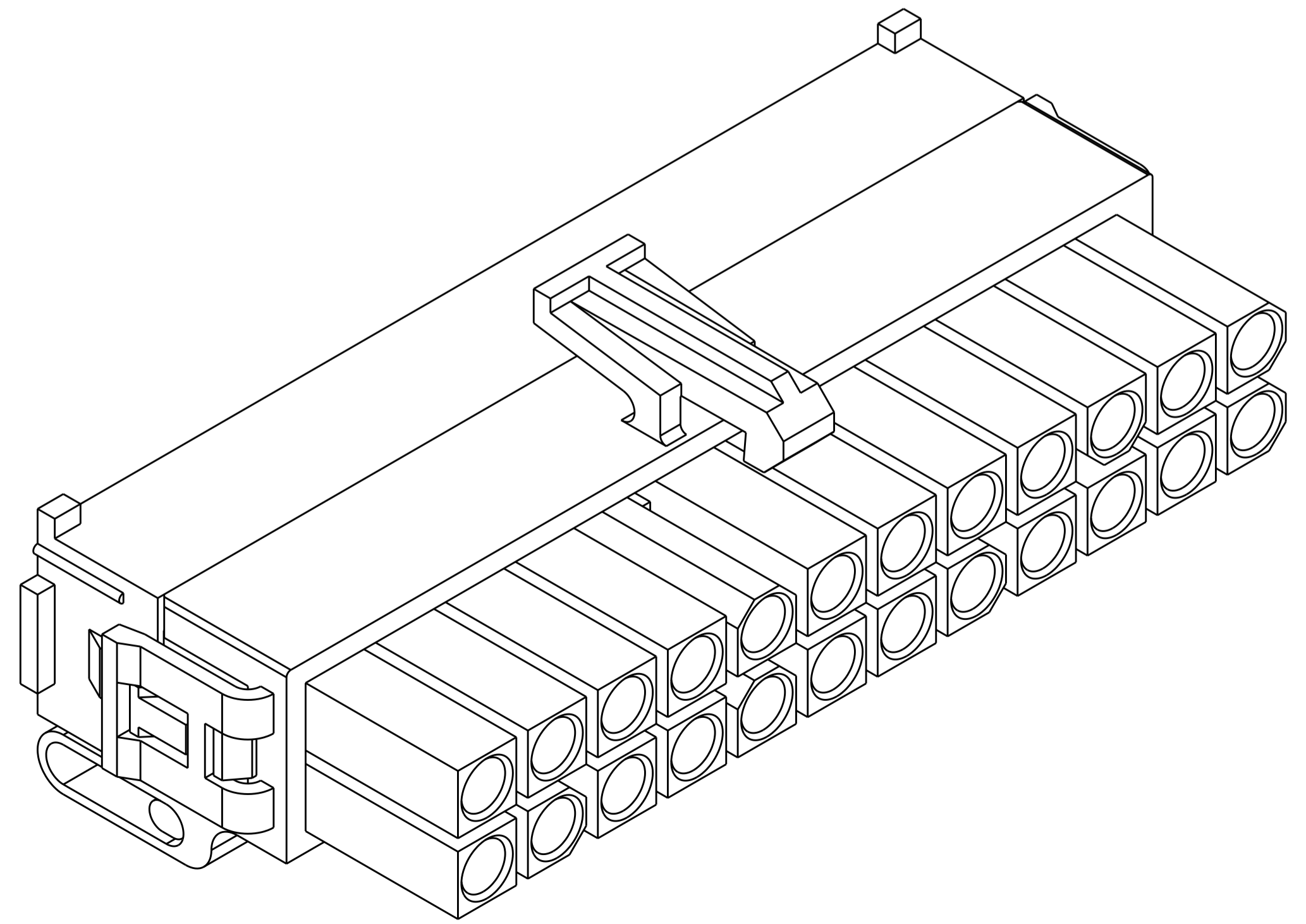
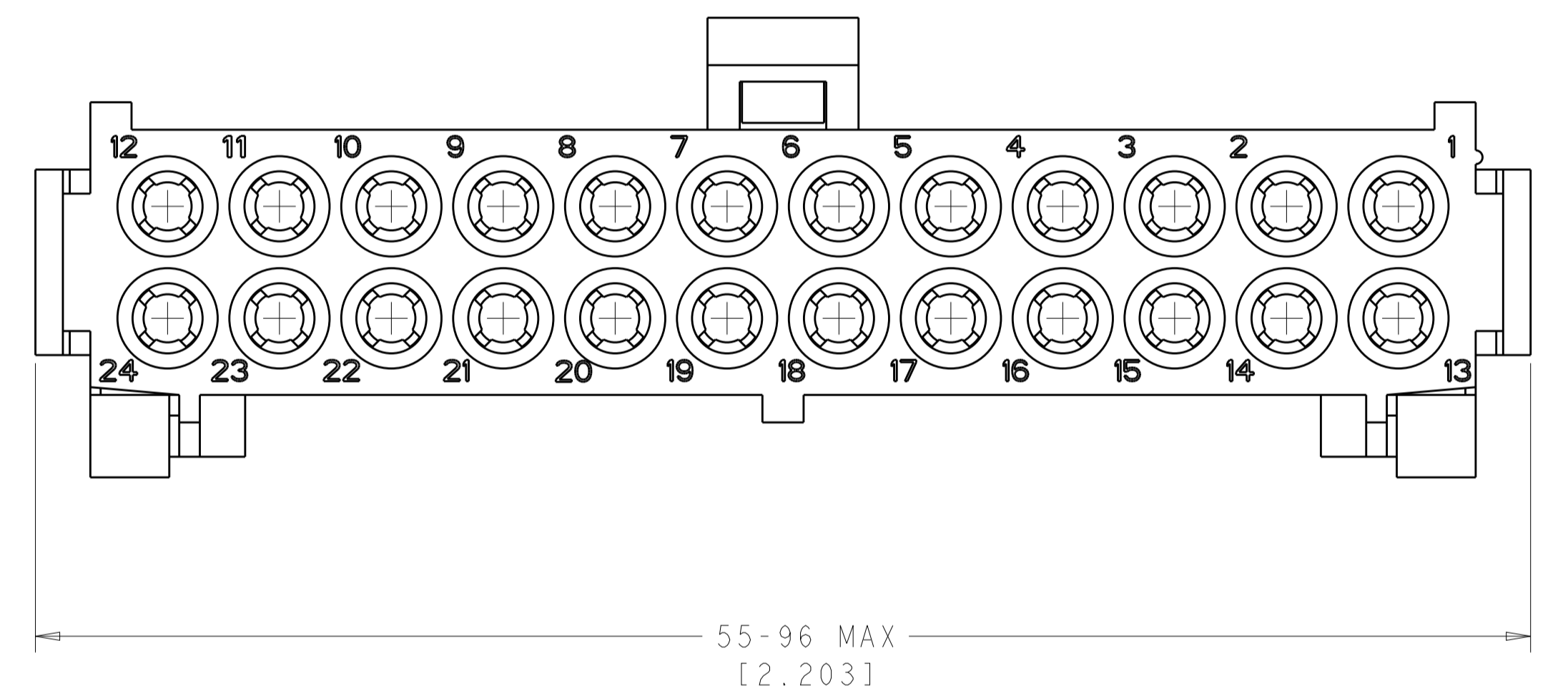
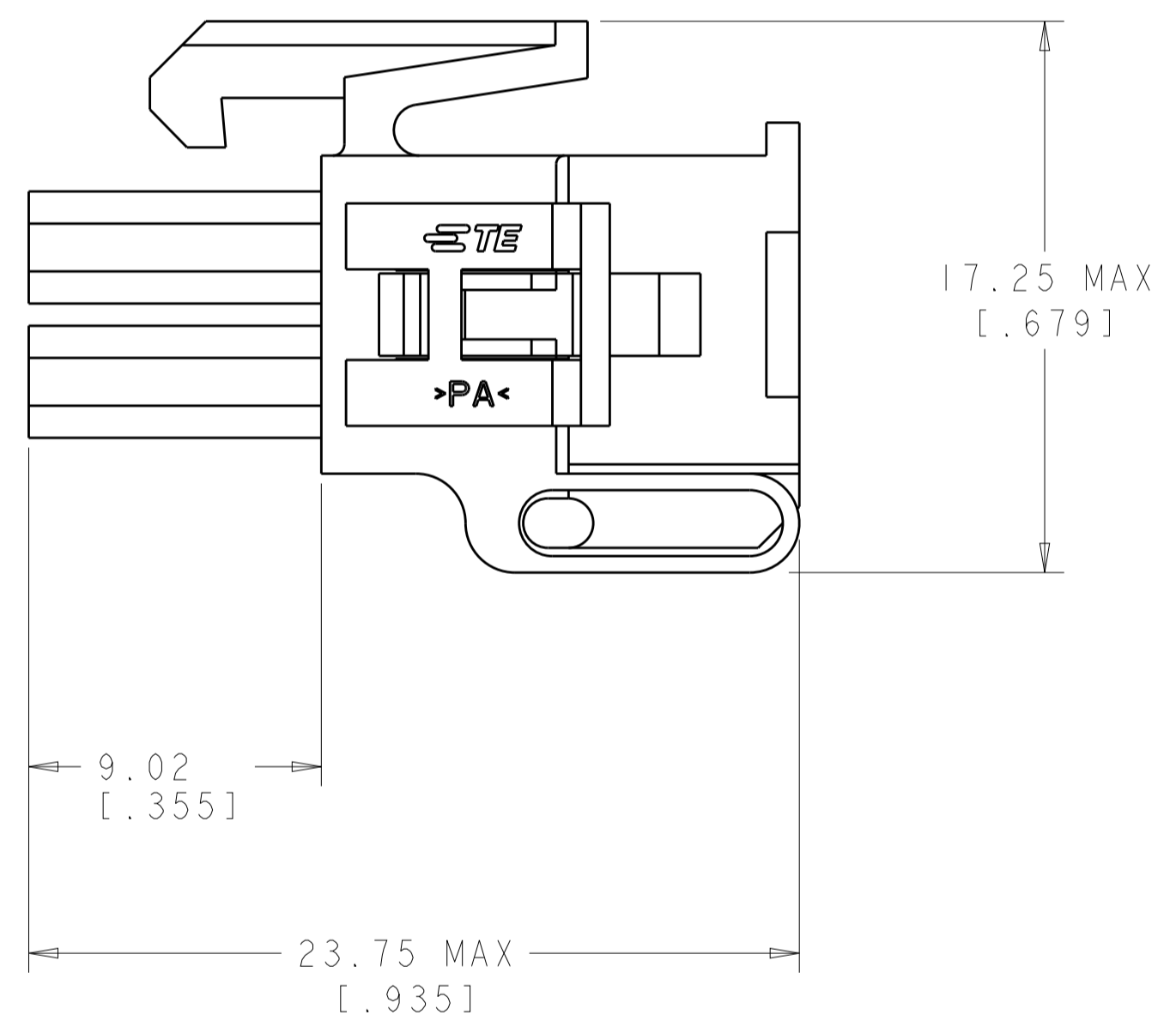
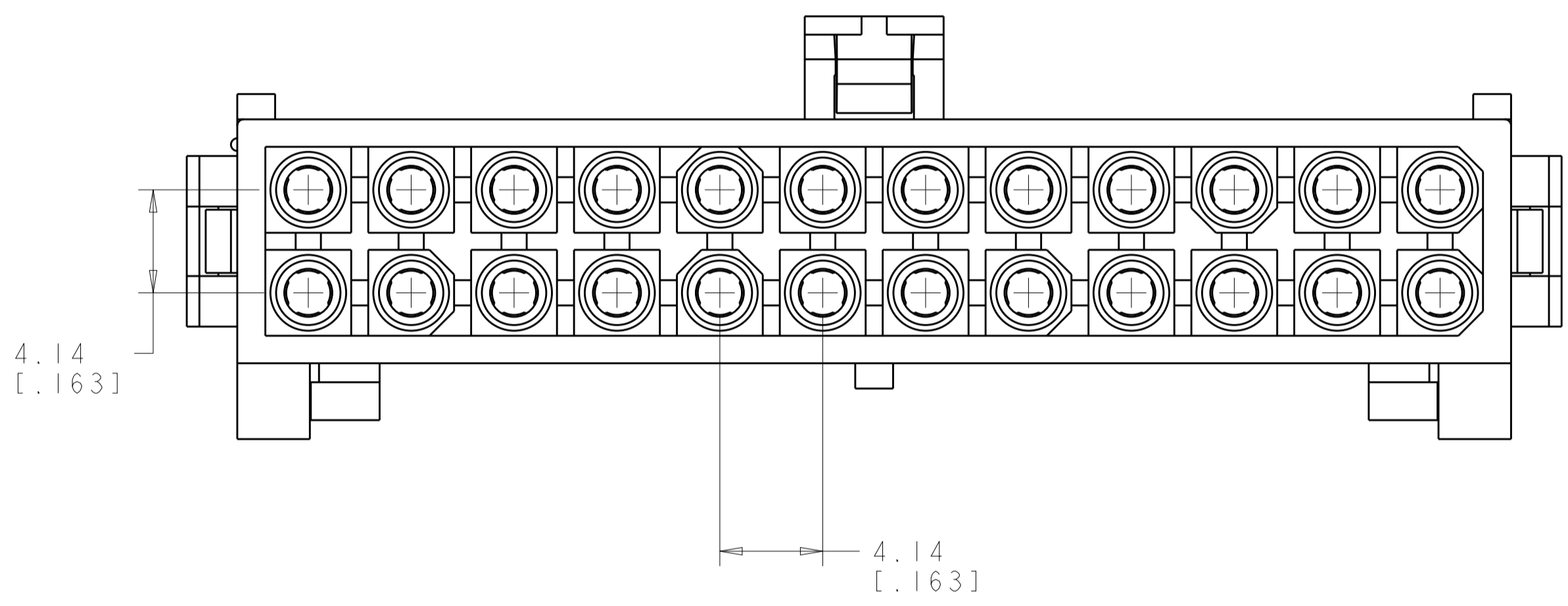


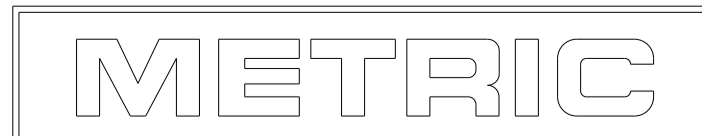
REVISIONS				
P.	LTM	DESCRIPTION	DATE	APVD
	C2	REVISED PER ECR-15-003326	09MAR15	SC KD



PRE-STAGED CONDITION



0.386 IN ³	794214-1
VOLUME	PART NUMBER



THIS DRAWING IS A CONTROLLED DOCUMENT.		DWN K. WHITAKER 01AUG2007	TE Connectivity
DIMENSIONS: mm [INCHES]		CHK C. JONES 01AUG2007	
TOLERANCES UNLESS OTHERWISE SPECIFIED:		APVD C. JONES 01AUG2007	NAME PLUG, DUAL ROW, 24 CIRCUIT, MINI UNIVERSAL MATE-N-LOK(TM) 2
0 PLC	±	PRODUCT SPEC	APPLICATION SPEC
1 PLC	±	APPLICATION SPEC	RESTRICTED TO
2 PLC	±0.13 (1.005)	SIZE	A1
3 PLC	±	CAGE CODE	00779
4 PLC	±	DRAWING NO	794214
ANGLES	±	WEIGHT	-
FINISH	±40°/30°	CUSTOMER DRAWING	SCALE 5:1 SHEET 1 OF 1 REV C2
MATERIAL NYLON, UL 94V-0, NATURAL	-		