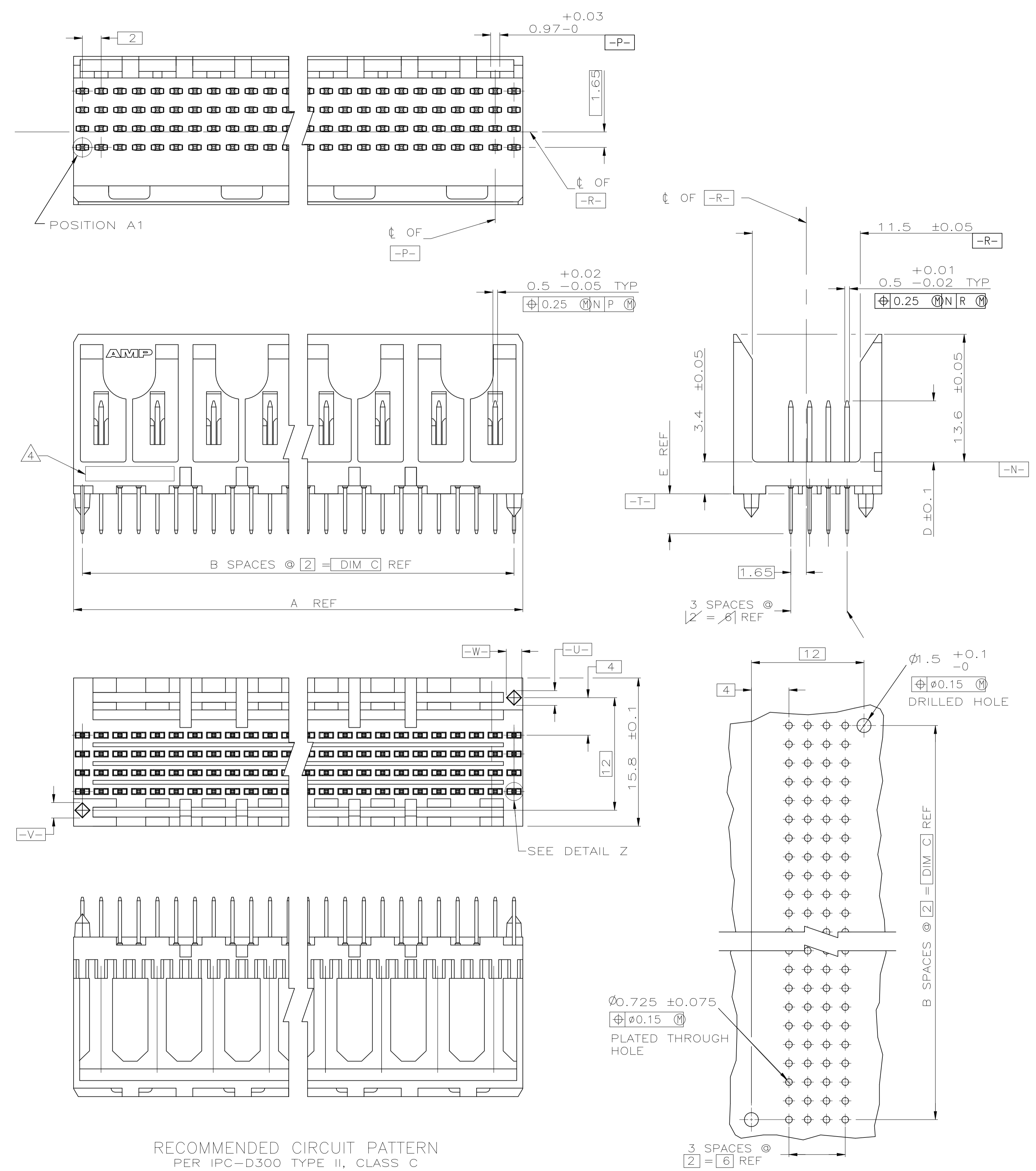
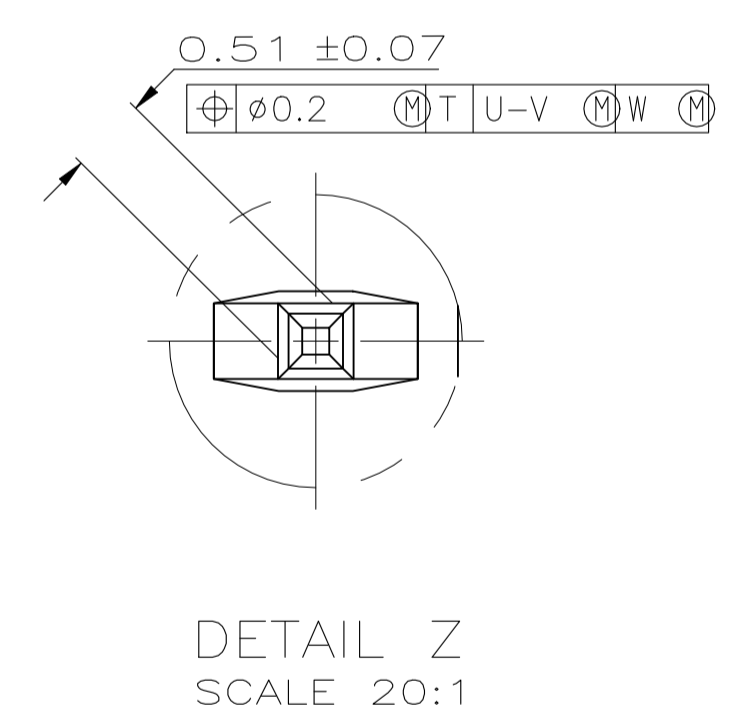


REVISIONS				
REV	DESCRIPTION	DATE	BY	APP'D
S3	REVISED PER ECN-22-166545	29JUL2022	NV	HL



- 1 HOUSING MATERIAL: LIQUID CRYSTAL POLYMER PER ASTM D5138 LCP000 G30A 32250.
- 2 CONTACT MATERIAL: PHOSPHOR BRONZE.
- 3 CONTACT FINISH:  
UNDERPLATE (ENTIRE CONTACT):  
0.00127 MIN NICKEL.  
ON MATING SURFACES:  
CONFORMS TO ALL TESTING SPECIFIED FOR TELCORDIA UNCONTROLLED ENVIRONMENT.  
ON LEADS  
0.00381 MIN TIN-LEAD OVER UNDERPLATE.  
LUBRICATION (ENTIRE CONTACT):  
SURFACE CONDITIONER PER AMP SPEC 112-1002 AFTER PLATING.
- 4 PART MARKING PER AMP INCORPORATED SPECIFICATION 115-9009, LOCATED APPROXIMATELY AS SHOWN.
- 5 OBSOLETE PARTS: OBSOLETE CIS STREAMLINING PER D.RENAUD/D.SINISI



FINISH	NO OF POSN	PART NUMBER	FINISH				FINISH	NO OF POSN	PART NUMBER
			E	D	C	B			
OBSOLETE	4.25	6.5	34	17	35.88	3	72	1-536501-1	
	4.25	6.5	130	65	131.88	3	264	1-536501-0	
	4.25	6.5	106	53	107.88	3	216	536501-9	
	4.25	6.5	118	59	119.88	3	240	536501-8	
OBSOLETE	4.25	6.5	82	41	83.88	3	168	536501-7	
	4.25	6.5	58	29	59.88	3	120	536501-6	
OBSOLETE	4.25	6.5	70	35	71.88	3	144	536501-5	
	4.25	6.5	94	47	95.88	3	192	536501-4	
OBSOLETE	4.25	6.5	46	23	47.88	3	96	536501-3	
OBSOLETE	4.25	6.5	22	11	23.88	3	48	536501-2	
OBSOLETE	4.25	6.5	10	5	11.88	3	24	536501-1	

THIS DRAWING IS A CONTROLLED DOCUMENT.

DIMENSIONS: mm	TOLERANCES UNLESS OTHERWISE SPECIFIED:	DRAWING NO. 00779	REV. 3
0. PLC ± -	1. PLC ± -	2. PLC ± -0.13	3. PLC ± -
4. PLC ANGLES ± -			

DATE: 08/06/92  
 D.R. BENDER  
 DATE: 09/14/92  
 R. BENDORF  
 DATE: 09/14/92  
 R. BENDORF

NAME: Z-PACK 2mm FB, SIGNAL MODULE, PIN ASSEMBLY  
 PRODUCT SPEC: 2mm

SIZE: A1  
 CAGE CODE: 00779  
 DRAWING NO: 536501

WEIGHT: 0  
 MATERIAL: 1-2  
 FINISH: 3

CUSTOMER DRAWING  
 SCALE: 4:1  
 SHEET: 1 of 1  
 REV: S3