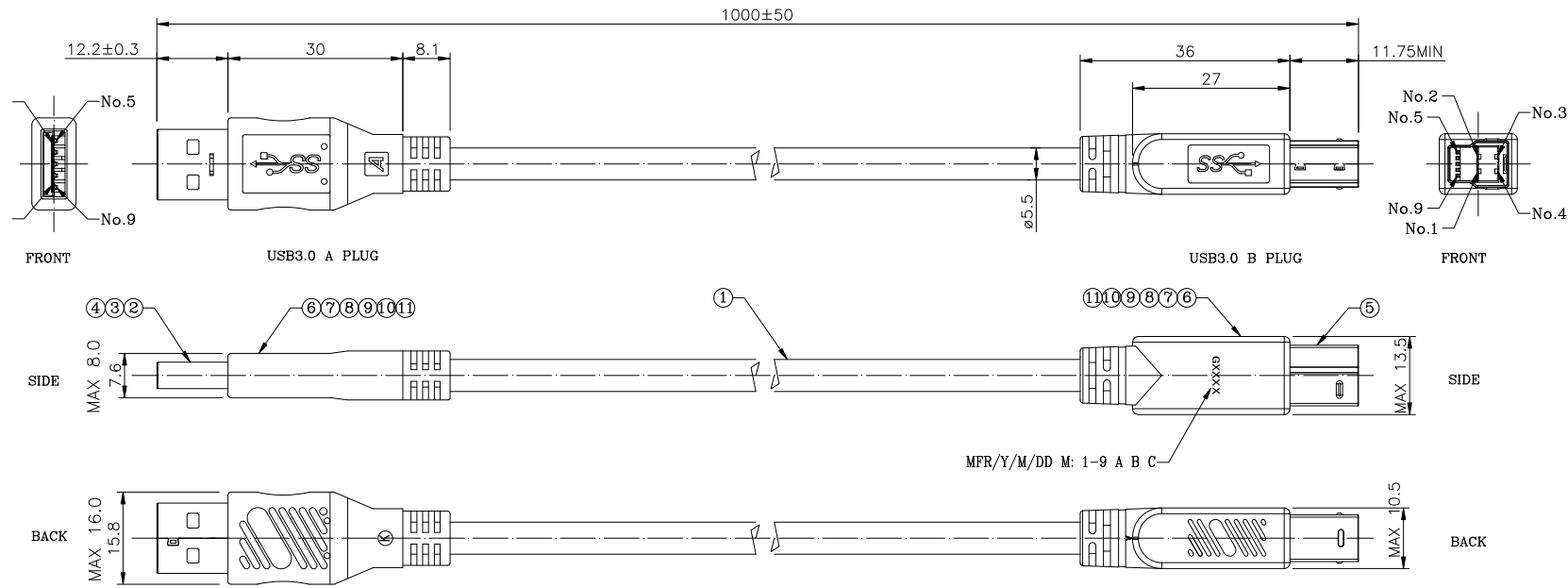


PRODUCT NUMBER
10132952-000XXLF



MFR/Y/M/DD M: 1-9 A B C

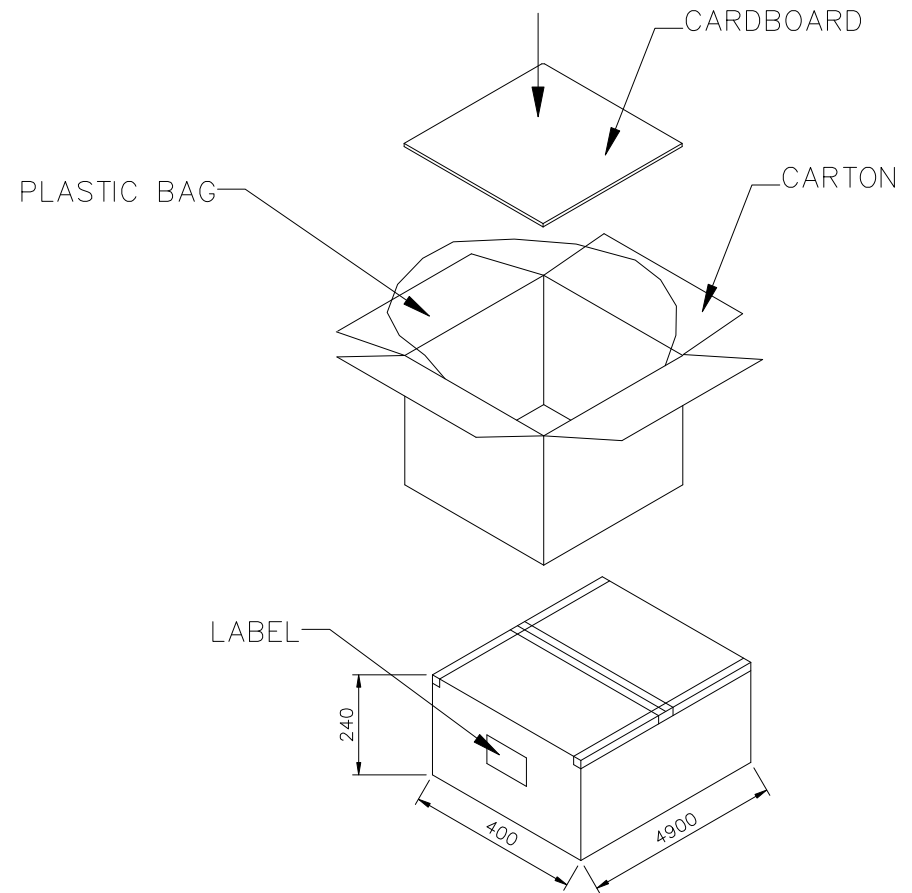
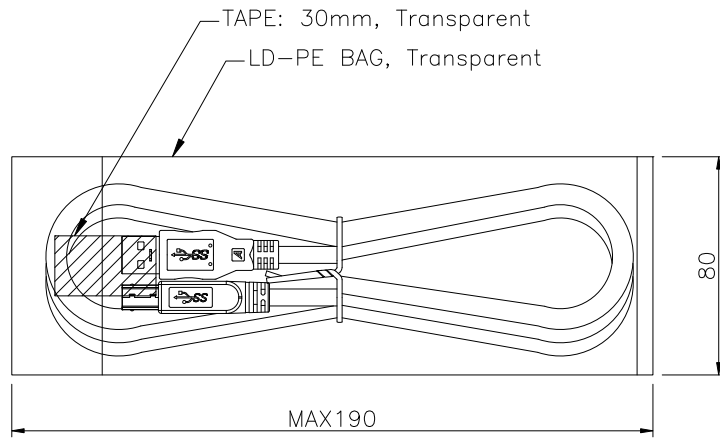
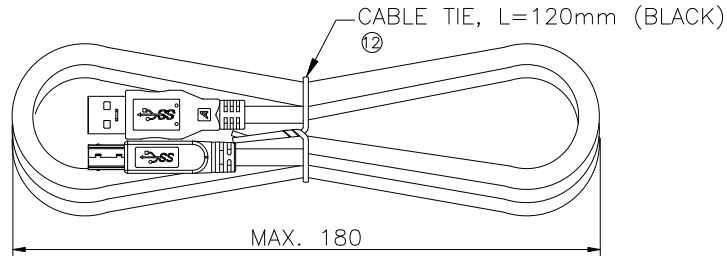
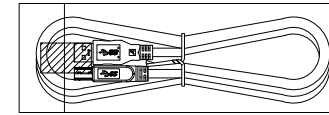
CONNECTIONS		
USB 3.0 A/M	CABLE COLOUR	USB 3.0 B/M
1	RED	1
2	WHITE	2
3	GREEN	3
4	BLACK	4
5	BLUE	5
6	YELLOW	6
7	D.W	7
8	D.W	8
9	VIOLET	9
	ORANGE	9
SHELL	Braid+Drain	SHELL

NOTE:
 1. PRODUCT SPECIFICATION: GS-12-1285.
 2. PACKAGE SPECIFICATION: SEE PAGE 2.
 3. PART NUMBER:
 10132952-000 X X L F
 PLATING: _____ PACKAGE:
 1: G/F ON CONTACT 1: PE BAG
 2: 30u" Au ON CONTACT

12	CABLE TIE	L=120mm (Black)	1 pcs
11	COPPER TAPE	Copper Alloy	2 pcs
10	OVER MOLD	PVC, Black	
9	INNER MOLD	PE	
8	LEAD FREE SOLDER		
7	TUBE	ø6 Black	18mm
6	TUBE	ø1 Black	10mm
5	USB 3.0 B PLUG	HSG: High Temp. Thermoplastic, Blue; Terminal: Copper Alloy, Optional Gold Plating; Shell: Steel, Ni Plated	1 set
4	USB 3.0 A PLUG LOWER SHELL	Steel, Ni Plated	1 pcs
3	USB 3.0 A PLUG UPPER SHELL	Steel, Ni Plated	1 pcs
2	USB 3.0 A PLUG	HSG: High Temp. Thermoplastic, Blue Terminal: Copper Alloy, Optional Gold Plating	1 pcs
1	CABLE	UL 20276 for USB 3.0, BLACK, OD=5.5mm	
No.	PARTS NAME	SPECIFICATION	QTY

mat'l. code		surface	tolerance	projection	product family
ltr		tolerances unless otherwise specified		 MM	USB 3.0
ecn no		angles $16 < L \leq 63 \pm 0.4$ $4 < L \leq 16 \pm 0.3$ $X^\circ \pm 5^\circ$			title
dr		L $\leq 4 \pm 0.2$		CABLE ASS'Y, USB 3.0 A PLUG TO USB 3.0 B PLUG	
date		dr KENNY TAI 2014-11-27		dwg no sheet 1 of 2 size	
engr		KENNY TAI 2014-11-27		10132952 A4	
chr		KENNY TAI 2014-11-27		type CUSTOMER Drawing	
appd		PM ZHENG 2014-12-30			
sheet index	revision sheet	A 1	A 2		

PRODUCT NUMBER
10132952-000XXLF



NOTE:

1. PUT 4 DESICCANTS INTO THE PLASTIC BAG.
2. PACKAGE Q'TY:

PE BAG	CARTON	Net Wt.	Gross Wt.
1 CABLE	250 CABLES	12.8 Kg	14.3 Kg

mat'l. code		surface	tolerance	projection	product family
ltr		tolerances unless otherwise specified		 MM	USB 3.0
ecn no	dr	date	angles		title
			16<L≤63 ±0.4 4<L≤16 ±0.3 X°±5° L≤4 ±0.2	CABLE ASS'Y, USB 3.0 A PLUG TO USB 3.0 B PLUG	
			dr	scale	dwg no
			enr		sheet 2 of 2
			chr		10132952
			appd		A4
sheet index	revision sheet	A 1	A 2		type
					CUSTOMER Drawing