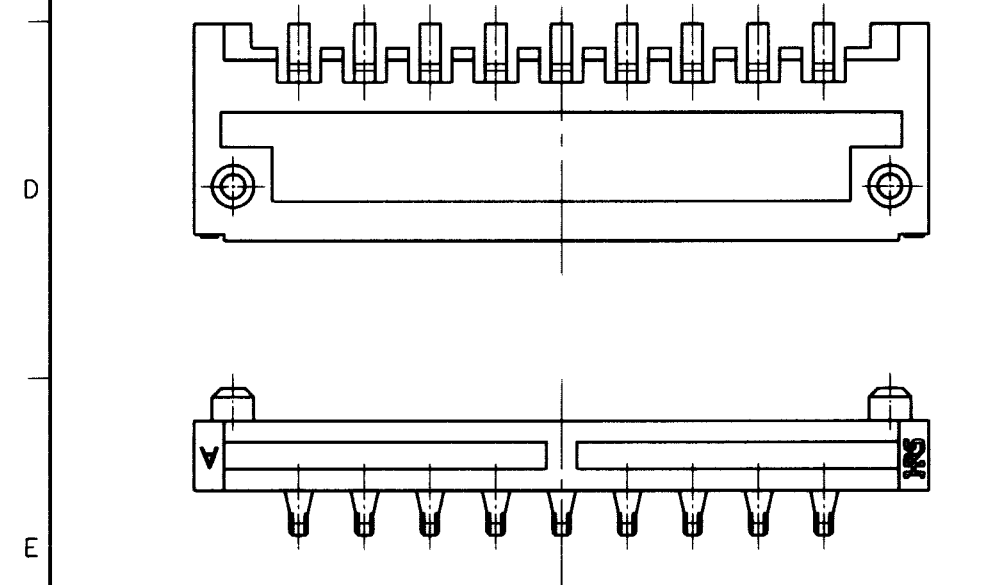
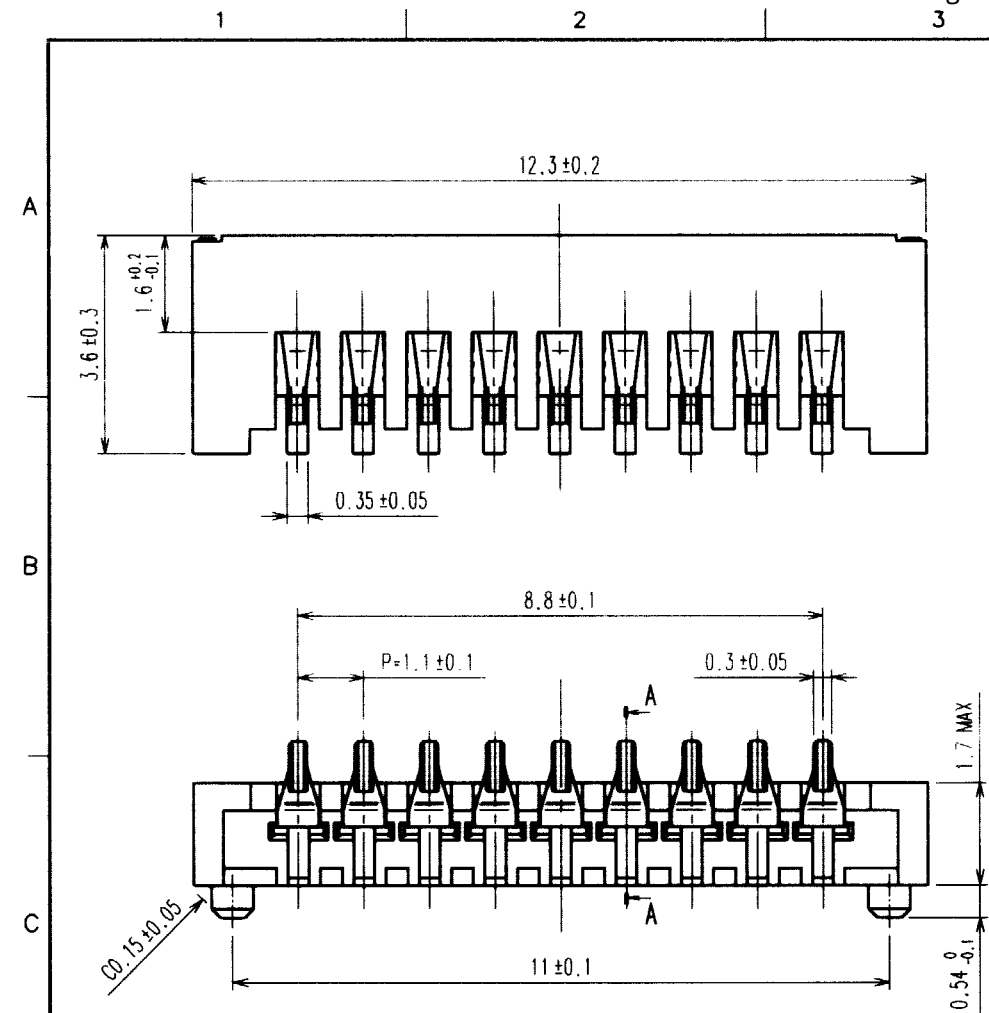


COUNT	DESCRIPTION OF REVISIONS	BY	CHKD	DATE	COUNT	DESCRIPTION OF REVISIONS	BY	CHKD	DATE
5	RE-H-05647	A.H.K.A		03. 6. 30					
1	RE-H-05903	T.Y.T.S		03.11.13					



HRS DRAWING FOR REFERENCE

Fig.1 : A-A(10:1)

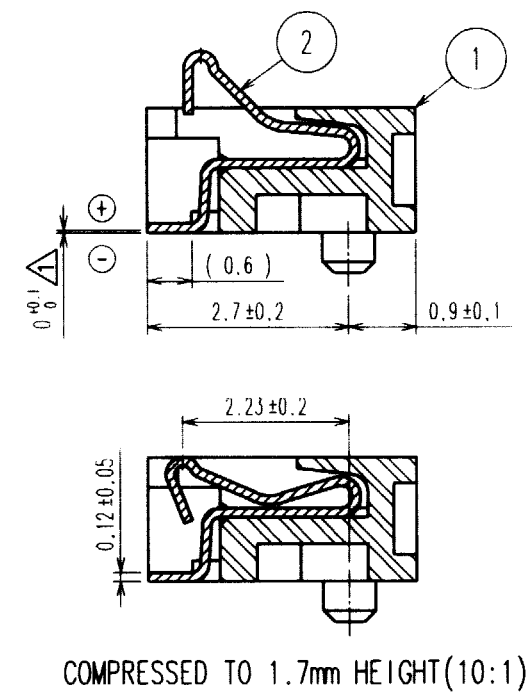
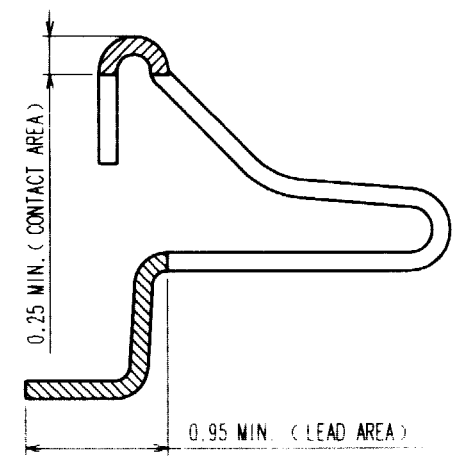


Fig.2 : PLATING SPECIFICATION (20:1)



CONTACT AREA : GOLD 0.5μ m MIN.
 LEAD AREA : GOLD 0.02μ m MIN.
 OTHERS(UNDER PLATING):NICKEL 1μ m MIN.

GOLD PLATING IS ALLOWED TO THE OTHER SURFACE THAN LEAD AREA AND CONTACT AREA.

Fig.3 : RECOMMENDED PATTERN FOR MOUNTING (5:1)

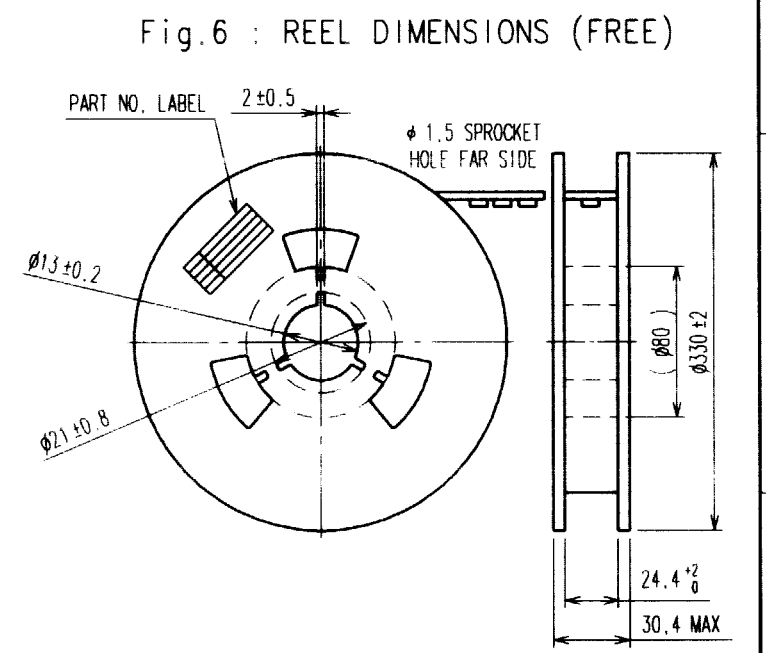
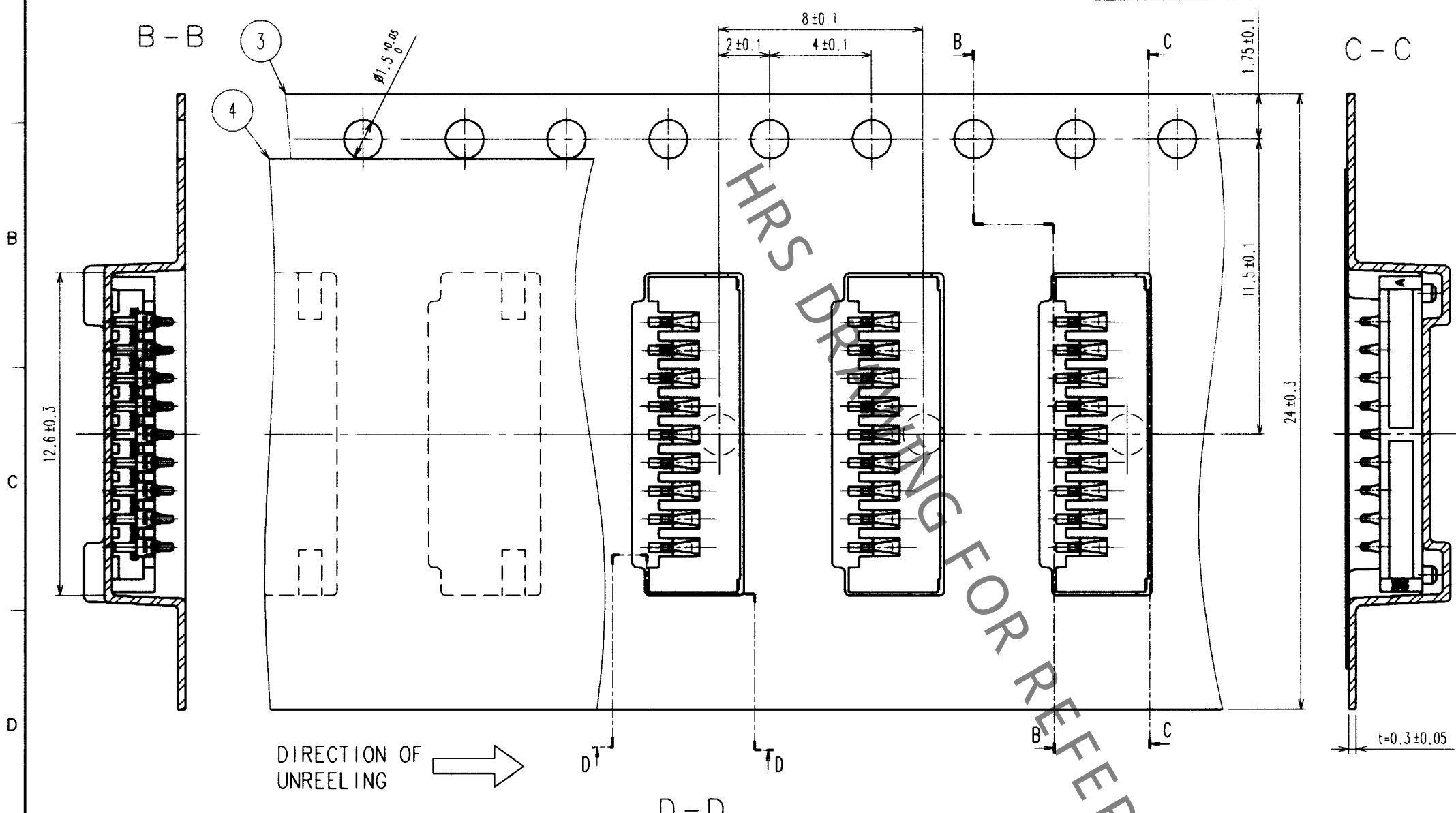
Fig.4 : RECOMMENDED PATTERN FOR MATING (5:1)

NOTES 1. LEAD CO_PLANARITY SHALL BE WITHIN 0.1mm
 2. THIS PRODUCT TO BE SHIPPED BY TAPE AND REEL PACKAGE.
 REFER TO NEXT SHEET FOR DETAILS OF PACKAGING SPECIFICATIONS.

2	PHOSPHOR BRONZE	REFER TO Fig.2	4	POLYESTER	CLEAR(COVER TAPE)
1	LCP	BLACK, UL94V-0	3	PS	CLEAR(EMBOSSED CARRIER TAPE)
NO.	MATERIAL	FINISH, REMARKS	NO.	MATERIAL	FINISH, REMARKS
CODE NO. (OLD)		DRAWN	DESIGNED	CHECKED	APPROVED
		T.Yamamoto	T.Yamamoto	K.Akiyama	K.Katayose
		'02.10. 3	'02.10. 3	'02.10. 4	'02.10. 4
DRAWING NO.		PART NO.		RELEASED	
EDC3-164058-01		DF26A1.7-9CP-1.1V(66)			
SCALE		CODE NO.		1/2	
FREE		CL661-0008-1-66			
UNITS		HRS HIROSE ELECTRIC CO., LTD			
(mm)					

TO

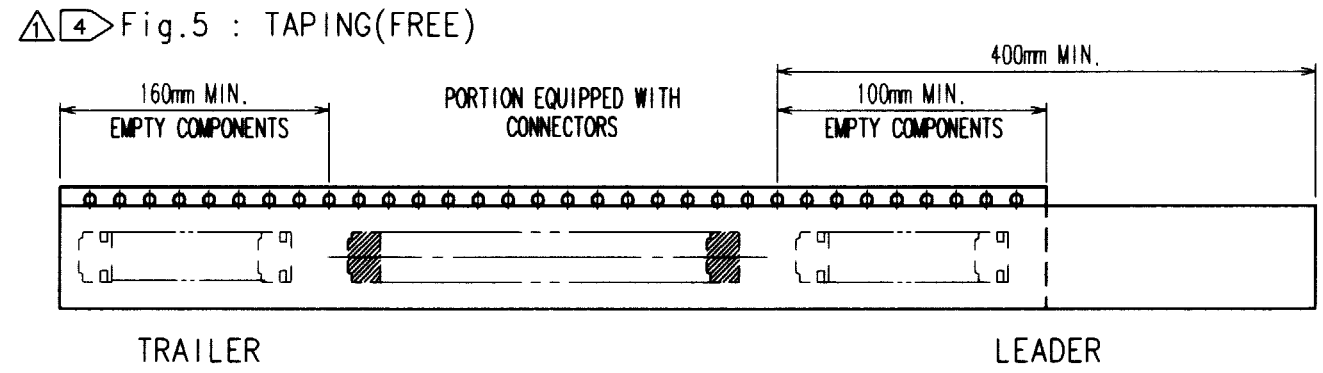
COUNT	DESCRIPTION OF REVISIONS	BY	CHKD	DATE	COUNT	DESCRIPTION OF REVISIONS	BY	CHKD	DATE



△5 DETAIL OF PART NO. LABEL

DATE OF MANUFACTURED	** * * *
CODE NO.	CL661-0008-1-66
PART NO.	DF26A1.7-9CP-1.1V(66)
QUANTITY	2000
SUPPLIER	HIROSE ELECTRIC CO.,LTD.

NOTES 3. PER REEL : 2000 CONNECTORS
 △4 REFER TO JIS C 0806
 (PACKAGING OF COMPONENTS FOR AUTOMATIC HANDLING)
 △5 DETAIL OF PART NO. LABEL IS WRITTEN IN JAPANESE.



CODE NO.(OLD)	DRAWN	DESIGNED	CHECKED	APPROVED	RELEASED
	T.Yamamoto	T.Yamamoto	K.Akiyama	K.Katayose	
	'02.10. 3	'02.10. 3	'02.10. 4	'02.10. 4	
DRAWING NO. EDC3-164058-01	PART NO. DF26A1.7-9CP-1.1V(66)		CODE NO. CL661-0008-1-66		
SCALE 5 : 1	HIROSE ELECTRIC CO., LTD		2		

TO