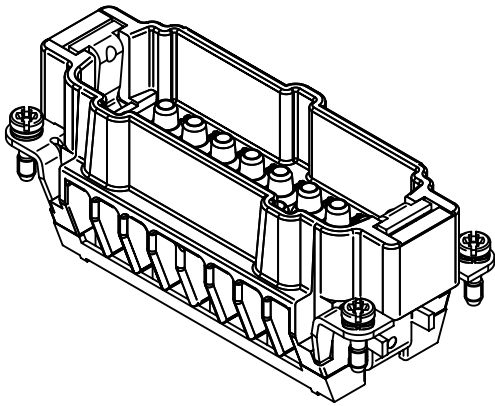
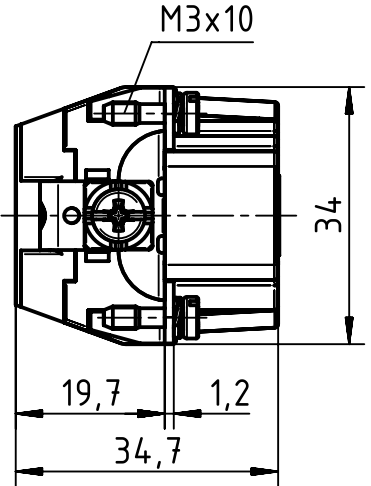
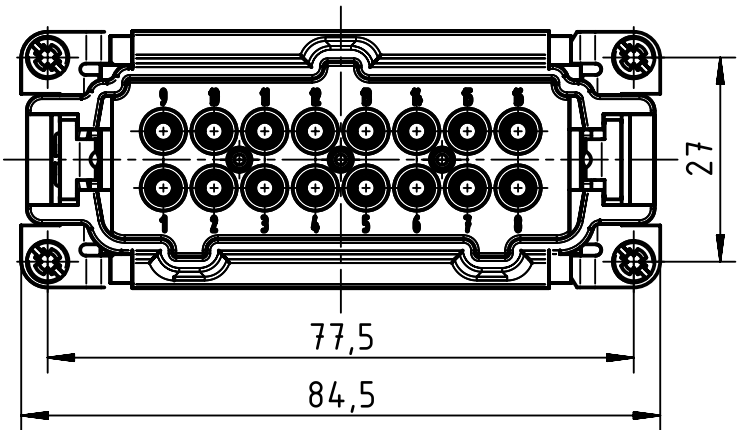
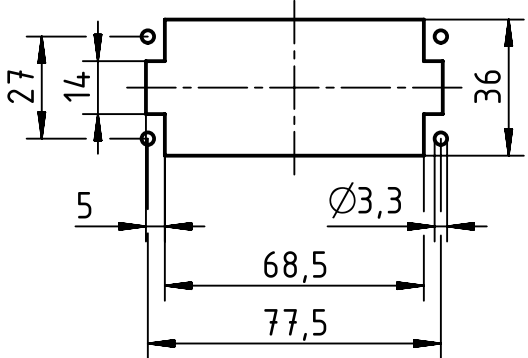


1 2 3 4 5 6

panel cut out (1:2)



	All rights reserved Department EL PD - DE HARTING Electric GmbH & Co. KG D-32339 Espelkamp	All Dimensions in mm Original Size DIN A4		Scale 1:1	Free size tol.	Ref. Sub.
		Created by HOLLERT	Inspected by SPILKERN	Standardisation TIEMANNA	Date 2013-11-05	State Final Release
Title Han High Temp 16E-c male					Doc-Key / ECM-Nr. 100528781/UGD/001/A 500000067351	
Type TB		Number 09 33 816 2602			Rev. A	Page 1/1