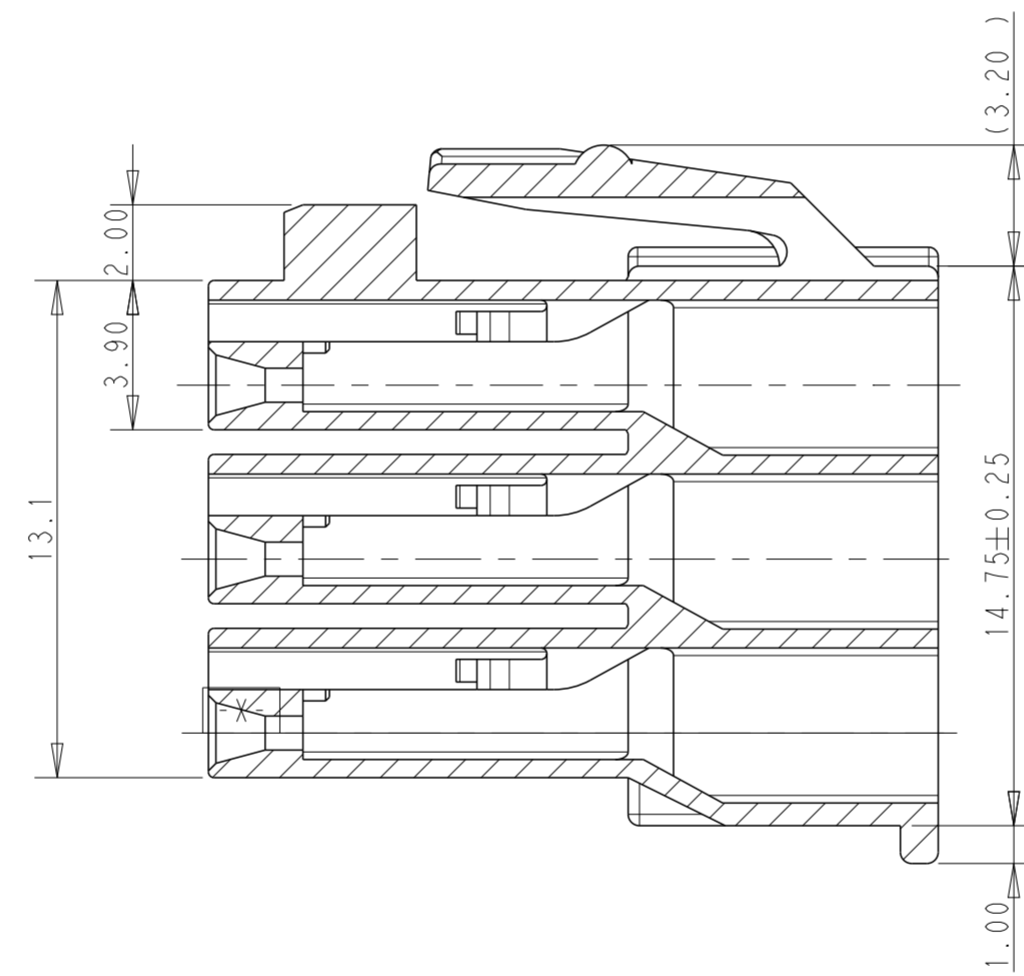
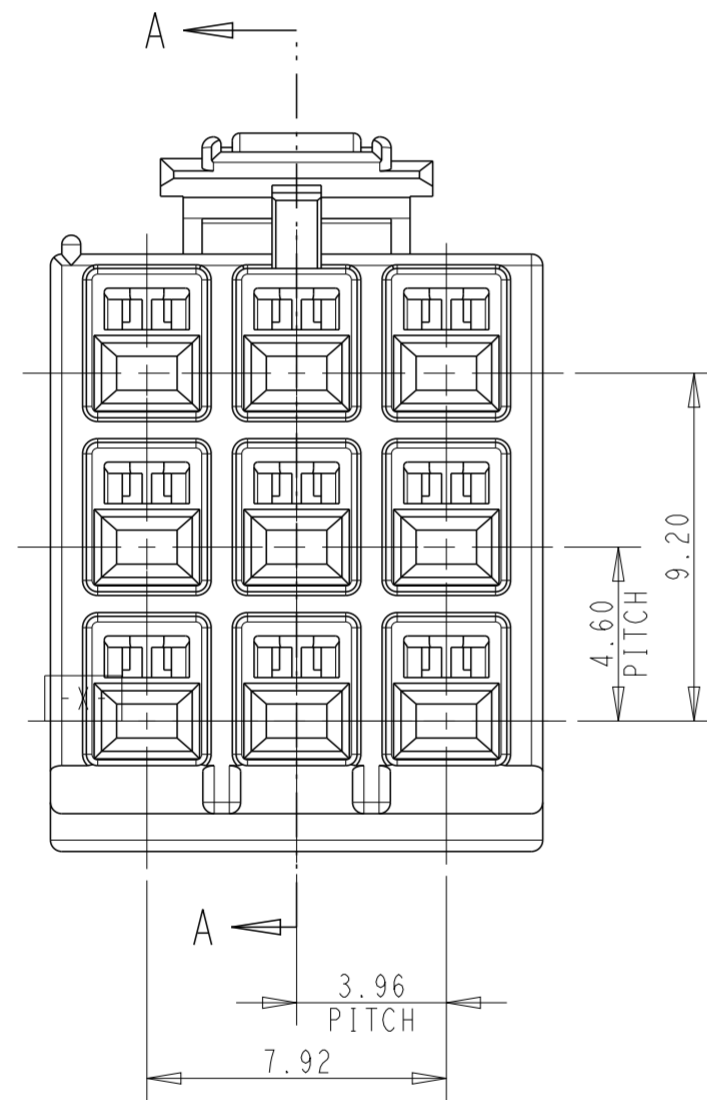
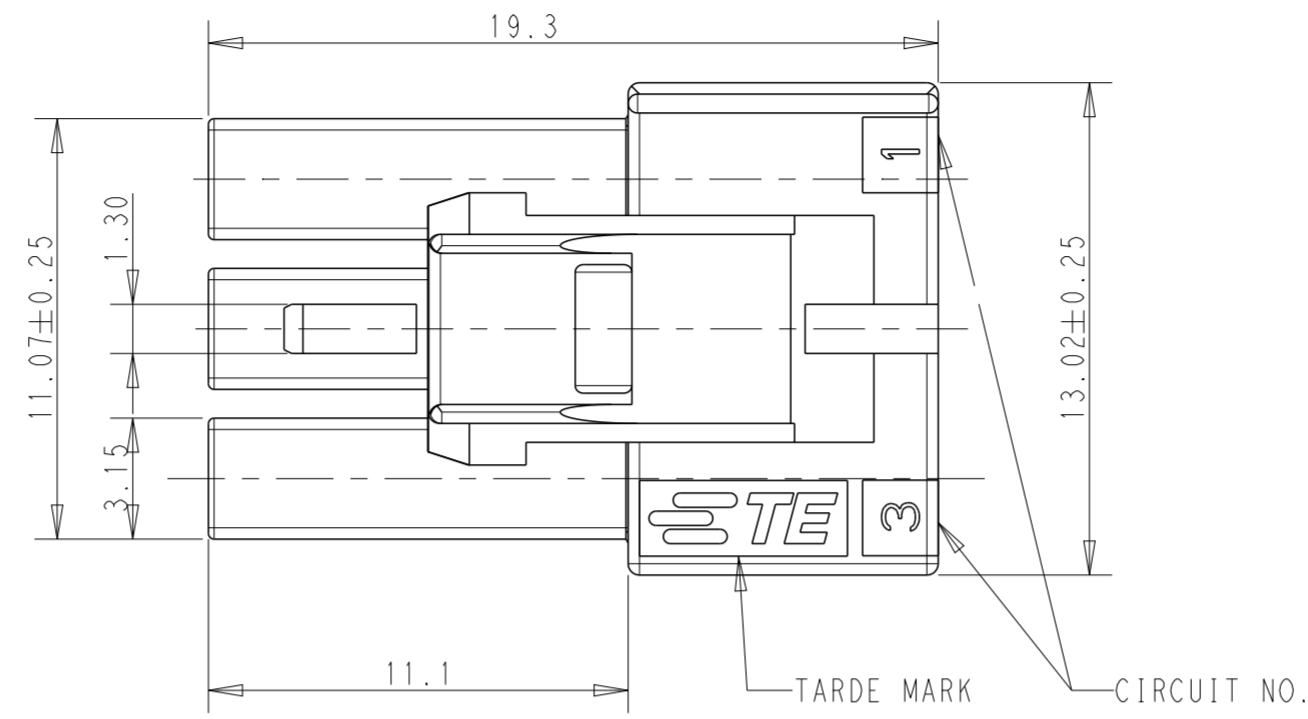
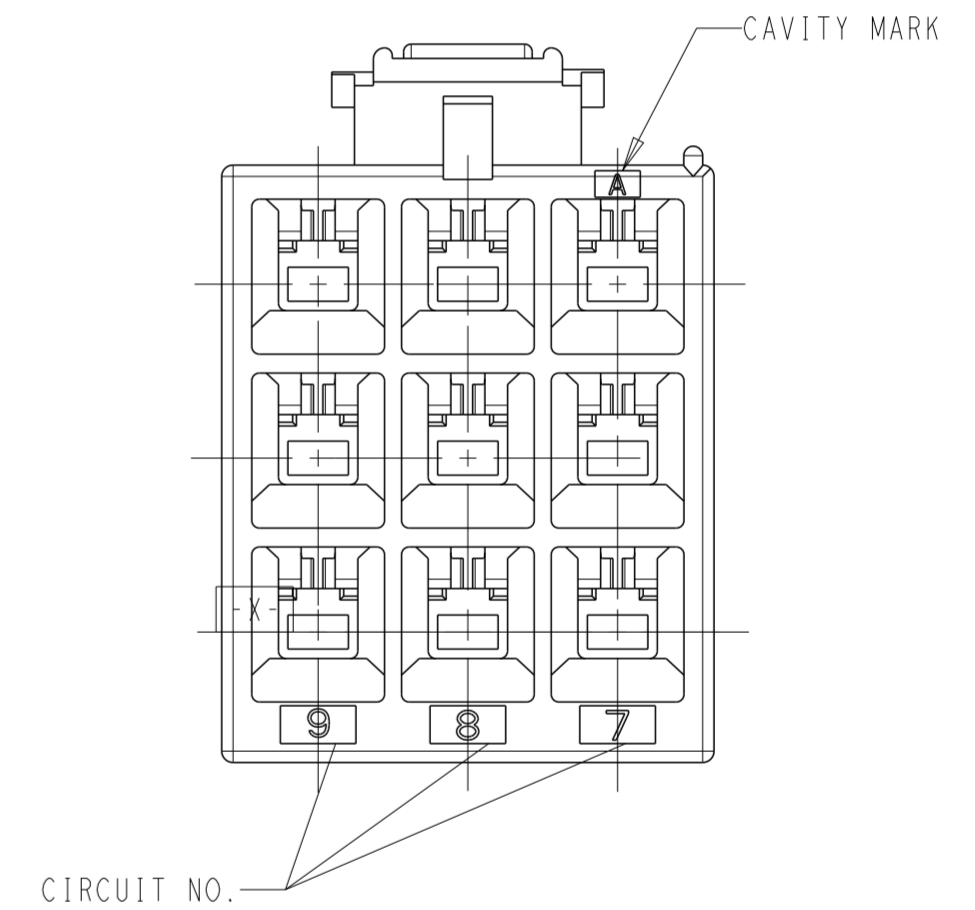


P	LTR	DESCRIPTION	DATE	DWN	APVD
C		REVISED PER ECR-20-100642	19SEP2022	M.G	D.Z

- 1 APPLICABLE CONTACT P/N:
 REC CONTACT: 175152-□ (20-16 AWG)
 175151-□ (26-22 AWG)
- 2 MATING CONN. P/N:
 CAP HSG: 176287-□ (FREE HANGING)
 176297-□ (PANEL MOUNT)
 TAB CONTACT: 175150-□ (20-16 AWG)
 175149-□ (26-22 AWG)
- 3 INSTRUCTION SHEET: IS-503J.



SECTION A-A



DEVELOPMENT	HOUSING COLOR	POSITION	PART NUMBER
	BLACK	9	176276-9
	BLUE	9	176276-6
	YELLOW	9	176276-4
	RED	9	176276-2
	NATURAL	9	176276-1

THIS DRAWING IS A CONTROLLED DOCUMENT.		DWN M. SHINDO 08NOV1989	STE TE Connectivity	
DIMENSIONS: mm		CHK Y. FUJITA 13NOV1989		
TOLERANCES UNLESS OTHERWISE SPECIFIED:		APVD N. ONOUE 13NOV1989	NAME AMP UNIVERSAL POWER CONN 3.96MM PITCH 9 POS PLUG HSG (TRIPLE ROW)	
0 PLC ±	1 PLC ±0.25	PRODUCT SPEC 108-5302	SIZE A2	CAGE CODE 00779
2 PLC ±0.20	3 PLC ±	APPLICATION SPEC 114-5142	DRAWING NO C-176276	RESTRICTED TO -
4 PLC ±	ANGLES ±3°	WEIGHT -	SCALE 5:1	SHEET 1 OF 1
MATERIAL 6/6 NYLON (UL94V-0)	FINISH -	CUSTOMER DRAWING	REV C	