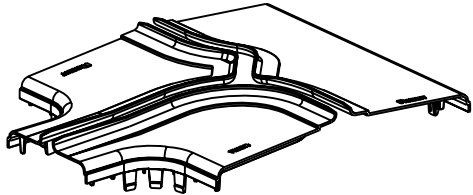
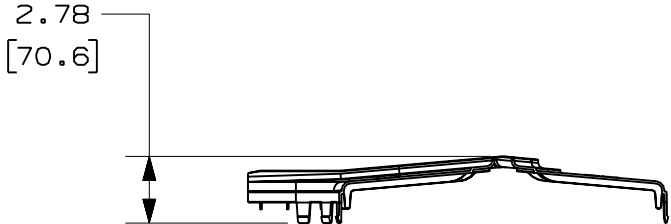
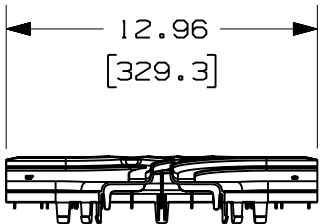
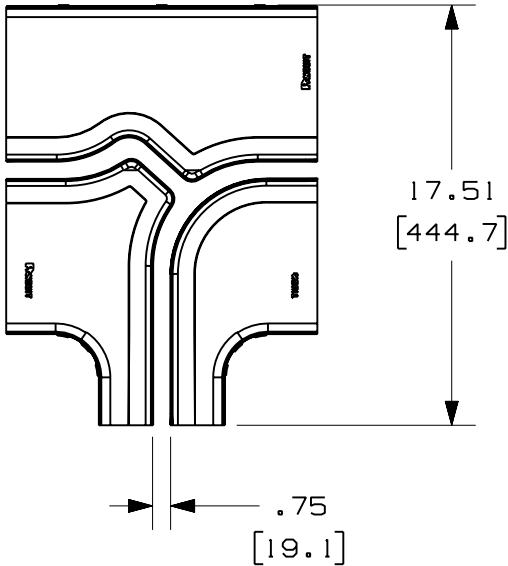


THIS COPY IS PROVIDED ON A RESTRICTED BASIS AND IS NOT TO BE USED IN ANY WAY DETRIMENTAL TO THE INTERESTS OF PANDUIT CORP.

PANDUIT PART NUMBER	WEIGHT
FRTSC12W4	1.01 LB/EACH (458g/EACH)

**NOTES:**

1. SEE CURRENT CATALOG FOR ADDITIONAL PART SUFFIXES TO INDICATE COLOR AND/OR PACKAGE QUANTITY.
2. THE FIBERRUNNER 12x4 HORIZONTAL TEE WITH 4" EXIT SPLIT COVER REQUIRES NO TOOLS FOR INSTALLATION AND/OR REMOVAL. THE SPLIT COVER CREATES A 3/4" (19.1) RADIUS OPENING TO ALLOW FOR NEW CABLES TO BE ADDED WITHOUT THE NEED FOR REMOVING THE COVERS.
3. DIMENSIONS IN PARENTHESES ARE IN METRIC.



ENG. REF.: D39774BH\_DC/00 FRTSC12W4

CAD FILENAME/LAYERS		FRTSC12W4.pdf	
<h1>PANDUIT</h1> CORP TINLEY PARK, ILLINOIS			
FIBERRUNNER 12x4 HORIZONTAL TEE WITH 4" EXIT SPLIT COVER (FRTSC12W4) CUSTOMER DRAWING			
UNLESS OTHERWISE SPECIFIED, DIMENSIONAL TOLERANCES ARE:		UNLESS OTHERWISE SPECIFIED, ALL DIMENSIONS ARE GIVEN IN INCHES, THIRD ANGLE PROJECTION.	
(.X) ± .03 (.8) (.XX) ± .03 (.8)		(.XXX) ± .03 (.8) ANGLES ± .5	
DRAWN BY	MAT'L:	SCALE	NONE
MSO	ABS	DRAWING NO.	39774-08
DATE	10-22-08	DWG	A
CHK'D	SL	SIZE	A

REV	DATE	BY	CHK	DESCRIPTION	ECN	R	CUST	SUP	GMBH
R	10-22-08	MSO	SL	RELEASED TO PRODUCTION	39774-08	RN	RN		