

MATERIALS AND FINISHES

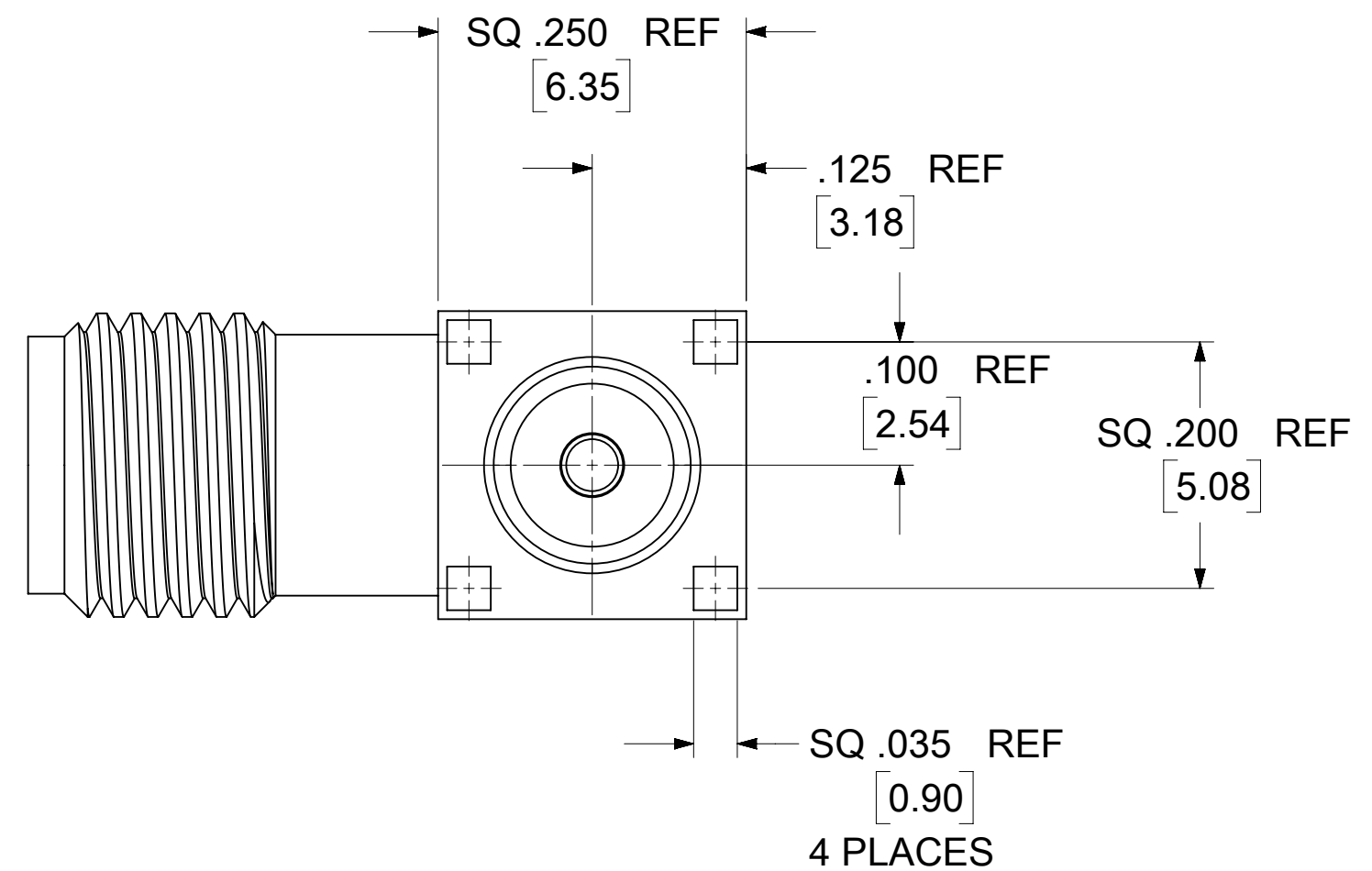
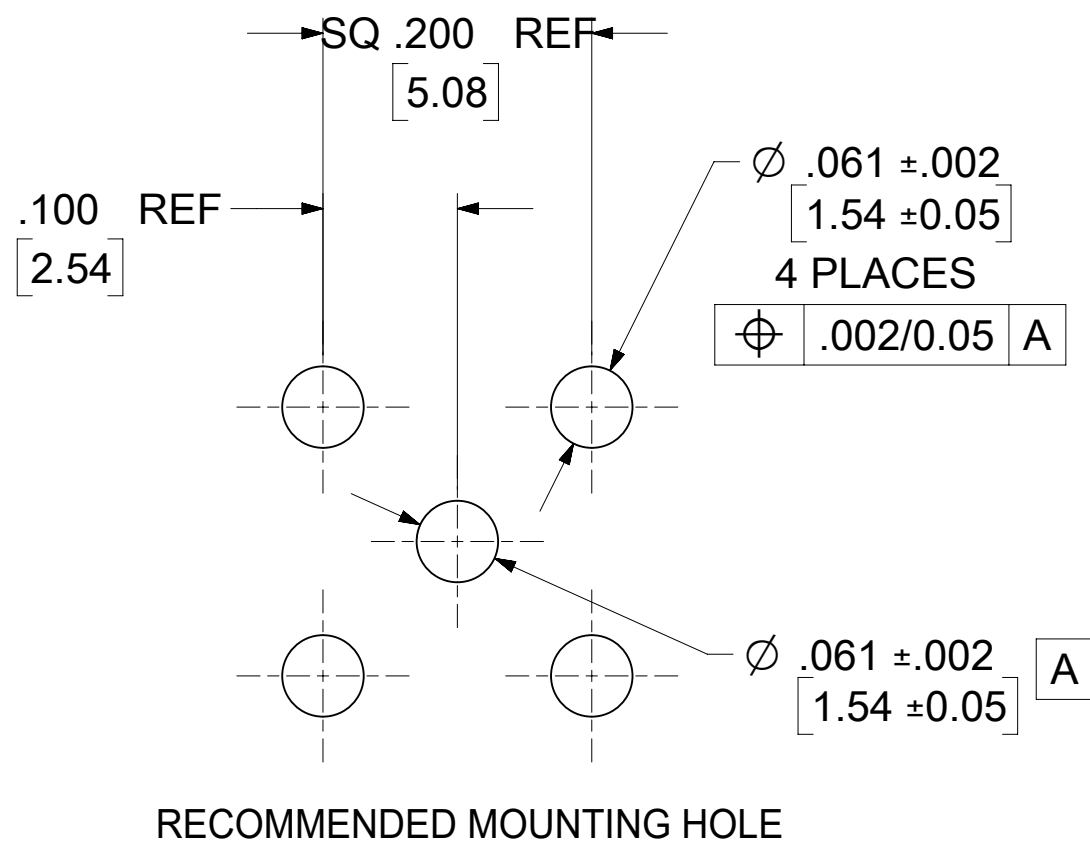
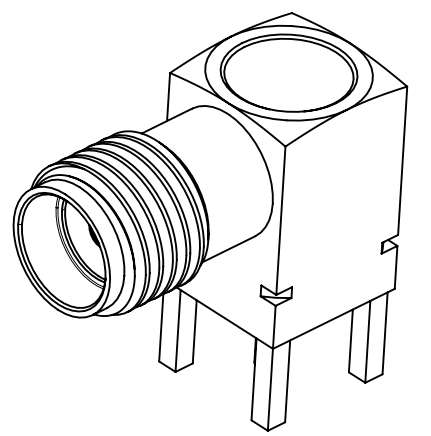
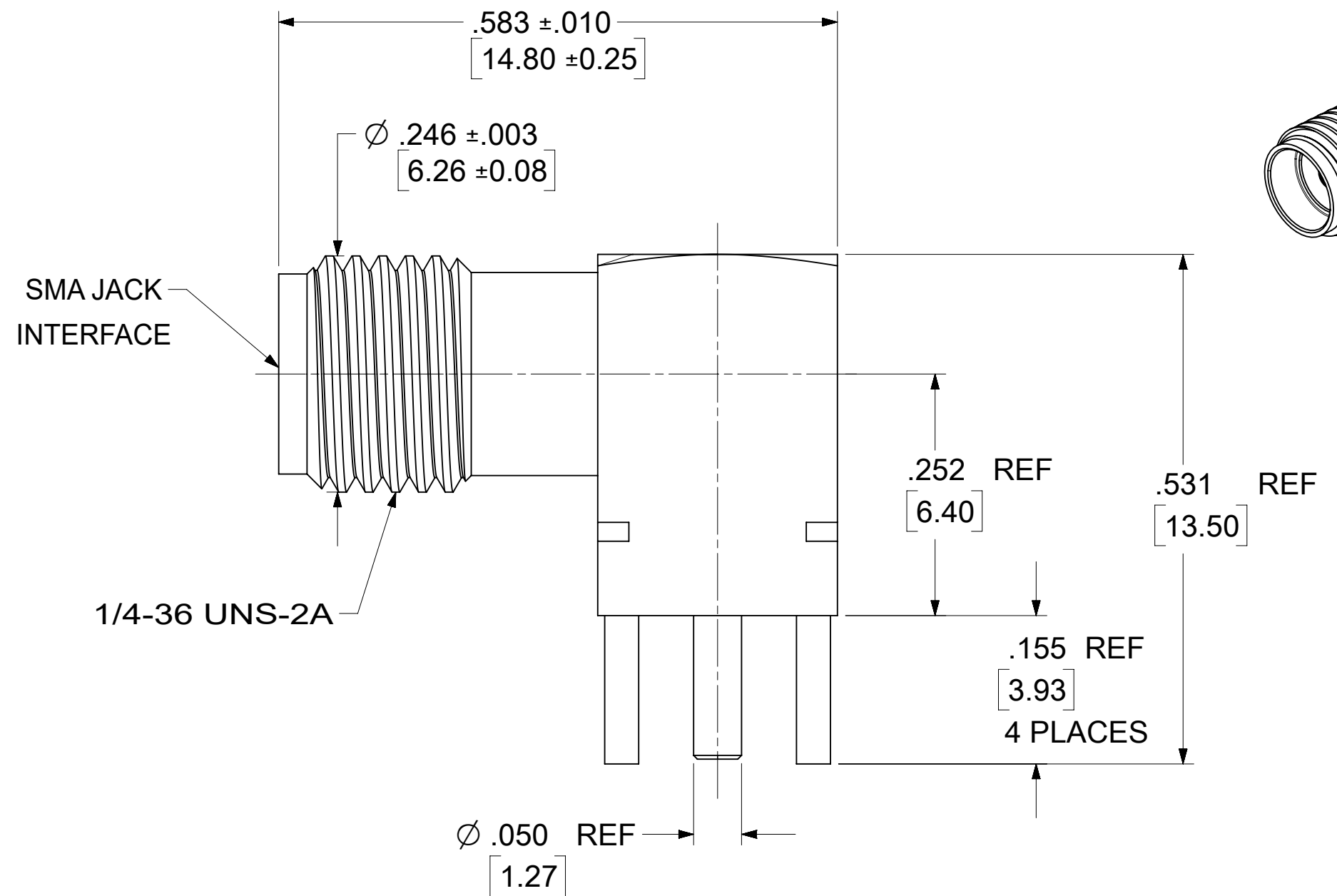
BODY BRASS  
PLATED 10u" GOLD

CENTER CONTACT BERYLLIUM COPPER  
PLATED 10u" GOLD

PCB CONTACT BRASS  
PLATED 10u" GOLD

INSULATOR TEFLON

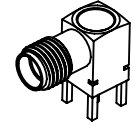
EXCEPTION TO PRODUCT SPECIFICATION  
73598-0111: FREQUENCY RANGE: DC TO 12GHz



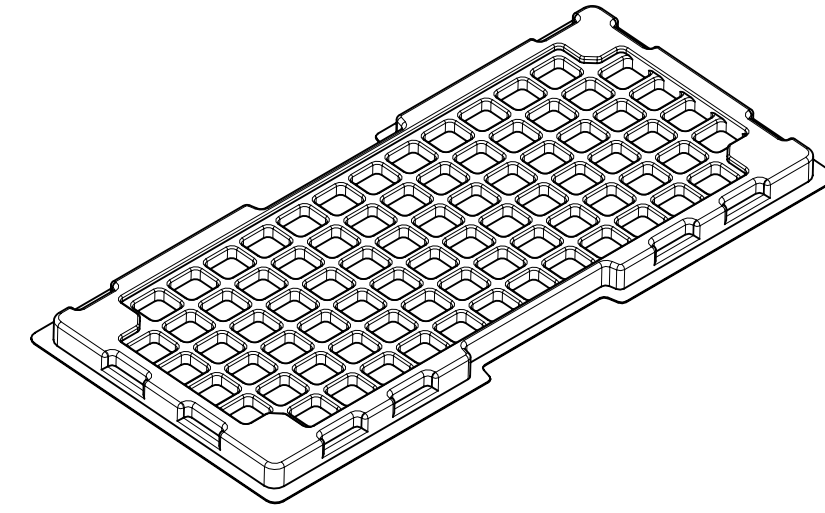
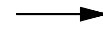
73251-3130	73100-0114, ONE PER BAG
73100-0114	TRAY
PART NO.	PACKAGING

PS-73598-0111	ELEC/MECH PERFORMANCE
SPECIFICATION	DESCRIPTION

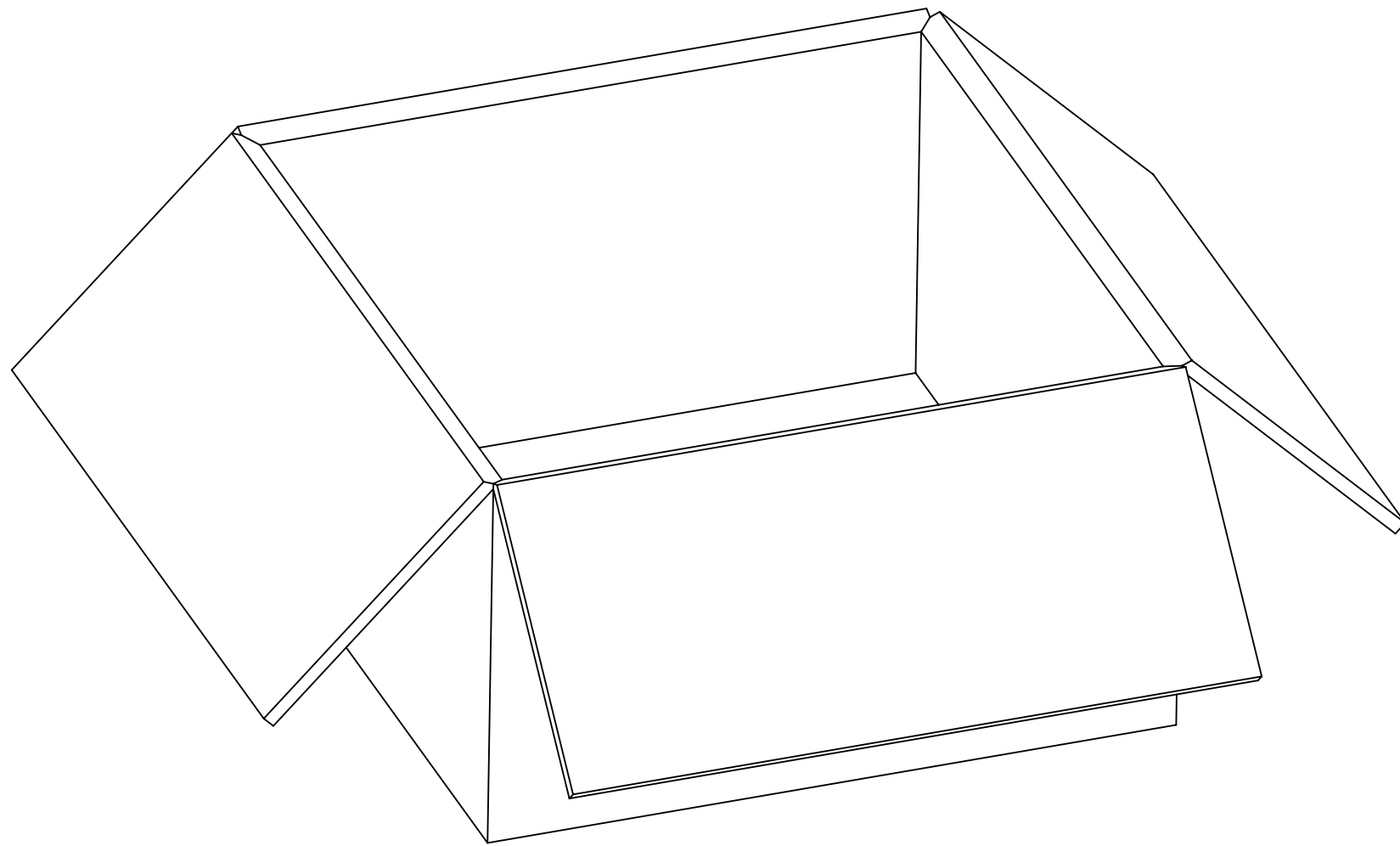
FUNCTIONAL SYMBOLS	THIS DRAWING CONTAINS INFORMATION THAT IS PROPRIETARY TO MOLEX ELECTRONIC TECHNOLOGIES, LLC AND SHOULD NOT BE USED WITHOUT WRITTEN PERMISSION			
$\frac{E}{A} = 0$ $\frac{E}{C} = 0$ $\frac{E}{P} = 0$	DIMENSION UNITS	SCALE	CURRENT REV DESC:	
	INCH/MM	NTS	ADDED GOLD PLATING THICKNESS SPEC	
	GENERAL TOLERANCES (UNLESS SPECIFIED)		EC NO: 683058	
	ANGULAR TOL ± 2.0°		DRWN: JSU18	2021/10/27
DIVISIONAL SYMBOLS	4 PLACES ±		CHK'D: YCHENG	2021/10/29
	3 PLACES ±		APPR: YCHENG	2021/10/29
	2 PLACES ±		INITIAL REVISION:	
	1 PLACE ±		DRWN: TFLAHERTY	2007/05/01
	0 PLACES ±		APPR: JWIENER	2007/05/01
	DRAFT WHERE APPLICABLE MUST REMAIN WITHIN DIMENSIONS	THIRD ANGLE PROJECTION	DRAWING	SERIES
			C-SIZE	73100
			MATERIAL NUMBER	CUSTOMER
			SD-73100-0114	GENERAL MARKET
			DOCUMENT NUMBER	DOC TYPE   DOC PART   REVISION
			PSD	001   D
			SHEET NUMBER	1 OF 2



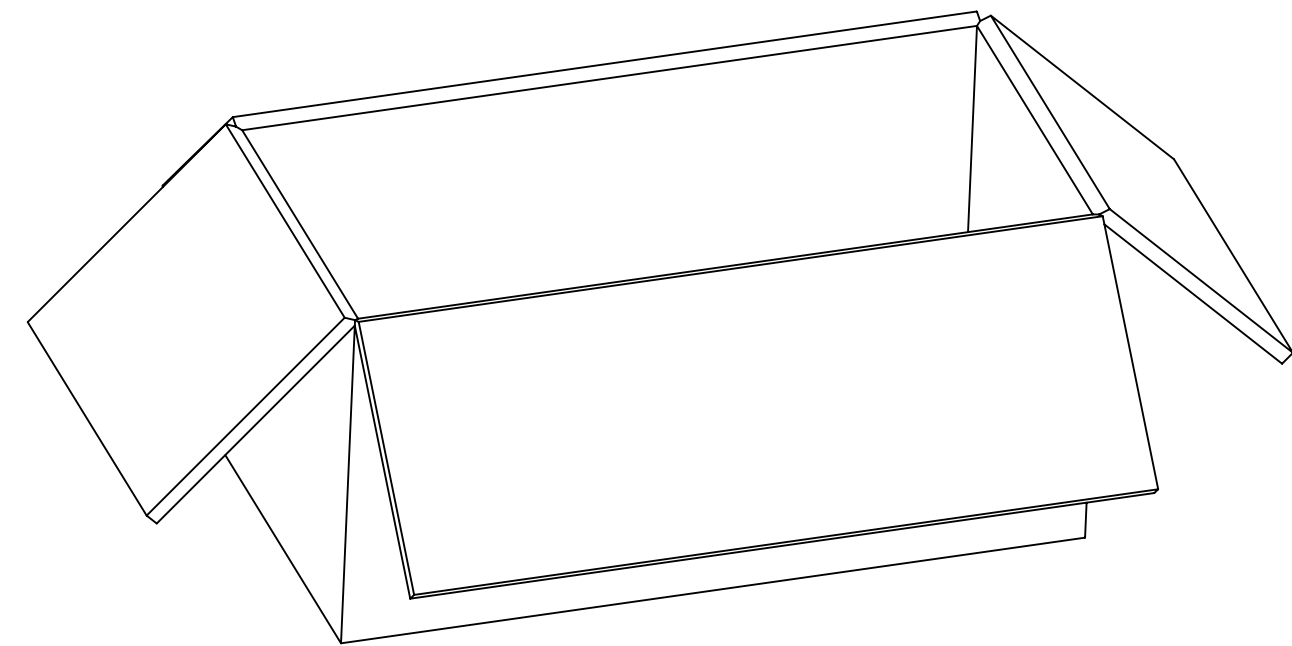
P/N: 73100-0114



80 SETS PER TRAY  
P/N: 89707-0190



3520 SETS PER OUTER  
CARTON BOX  
P/N: 96708-0005



1760 SETS PER INNER  
CARTON BOX  
P/N: 96707-0001

FUNCTIONAL SYMBOLS	THIS DRAWING CONTAINS INFORMATION THAT IS PROPRIETARY TO MOLEX ELECTRONIC TECHNOLOGIES, LLC AND SHOULD NOT BE USED WITHOUT WRITTEN PERMISSION										
	DIMENSION UNITS	SCALE	CURRENT REV DESC:							<b>molex</b>	
$\frac{F}{A} = 0$	INCH/MM	NTS	EC NO: 683058								
$\frac{E}{C} = 0$	GENERAL TOLERANCES (UNLESS SPECIFIED)		DRWN: JSU18 2021/10/27							PRODUCT CUSTOMER DRAWING	
$\frac{E}{P} = 0$	ANGULAR TOL $\pm 2.0^\circ$		CHK'D: YCHENG 2021/10/29							DOCUMENT NUMBER	
DIVISIONAL SYMBOLS	4 PLACES $\pm$		APPR: YCHENG 2021/10/29							DOC TYPE	
	3 PLACES $\pm$		INITIAL REVISION:							DOC PART	
	2 PLACES $\pm$		DRWN: TFLAHERTY 2007/05/01							REVISION	
	1 PLACE $\pm$		APPR: JWIENER 2007/05/01							SD-73100-0114	
0 PLACES $\pm$		DRAFT WHERE APPLICABLE MUST REMAIN WITHIN DIMENSIONS		THIRD ANGLE PROJECTION		DRAWING	SERIES	MATERIAL NUMBER	CUSTOMER	SHEET NUMBER	
				C-SIZE	73100			GENERAL MARKET	2 OF 2		