

NOTES:

1. CONDUCTIVE FABRIC OVER FOAM GASKET (SHOWN COMPRESSED) IS SUPPLIED WITH THE PART.
2. OUTER SHELL OF PART IS DIECAST.
3. DUST CAP SHOWN ONLY IN ISOMETRIC VIEW.
4. ADAPTERS TO BE PACKAGED IN TRAY.

ENTER DESCRIPTION
 EC NO: MF2013-0747
 DRAWN: YBEDNYAK
 CHKD:
 APPR: LGUMIN

2013/06/04
 2013/06/14
 DESCRIPTION

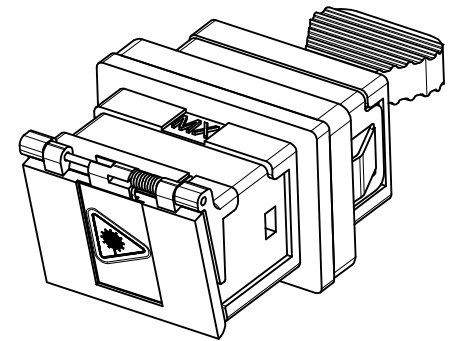
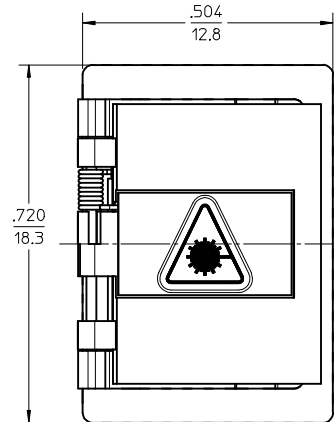
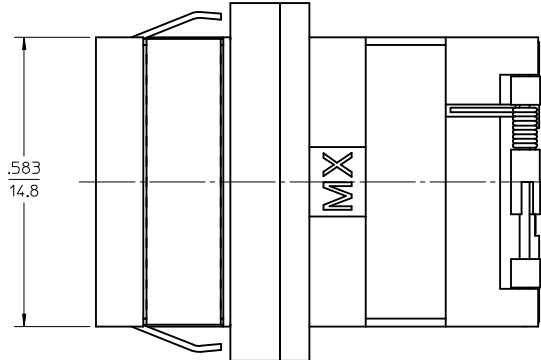
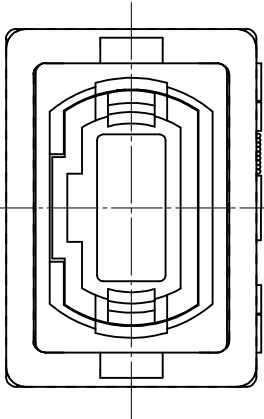
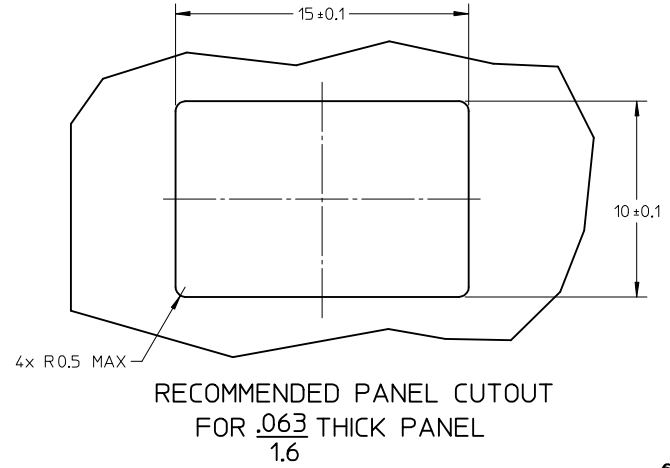
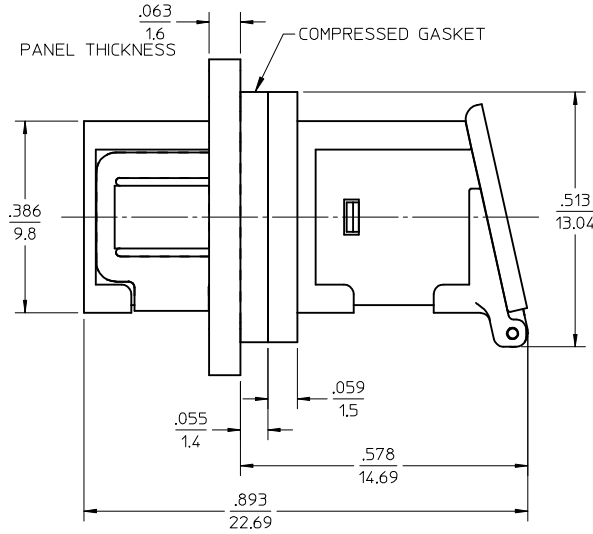
QUALITY SYMBOLS
 $\nabla=0$
 $\nabla=0$

| GENERAL TOLERANCES (UNLESS SPECIFIED) | |
|---------------------------------------|-----------|
| mm | INCH |
| 4 PLACES \pm --- | \pm --- |
| 3 PLACES \pm --- | \pm --- |
| 2 PLACES ± 0.10 | \pm --- |
| 1 PLACE ± 0.10 | \pm --- |
| ANGULAR $\pm 1/2^\circ$ | |

DRAFT WHERE APPLICABLE
 MUST REMAIN
 WITHIN DIMENSIONS

| DIMENSION STYLE | |
|-----------------|------------|
| IN/MM | |
| DRAWN BY | DATE |
| KPEVZNER | 2010/09/16 |
| CHECKED BY | DATE |
| APPROVED BY | DATE |
| WCHEN | 2010/09/16 |
| MATERIAL NO. | 1061141200 |

| SCALE | DESIGN UNITS | THIRD ANGLE PROJECTION |
|--|----------------|------------------------|
| 4:1 | INCH | |
| TITLE MPO EMI ADAPTER FLANGES SMALL FLANGE | | |
| MOLEX INCORPORATED | | |
| DOCUMENT NO. | SD-106114-1200 | SHEET NO. 1 OF 1 |



- NOTES:
1. CONDUCTIVE FABRIC OVER FOAM GASKET (SHOWN COMPRESSED) IS SUPPLIED WITH THE PART.
 2. OUTER SHELL OF PART IS DIECAST.
 3. DUST CAP SHOWN ONLY IN ISOMETRIC VIEW.
 4. ADAPTERS TO BE PACKAGED IN TRAY.

| | | | | | |
|--|--|---|---|---|--|
| ENTER DESCRIPTION EC NO: MF2013-0747 DRAWN: YBEDNYAK CHKD: APPR: LGUMIN 2013/06/04 2013/06/14 DESCRIPTION | QUALITY SYMBOLS ▽=0 ▽=0 | GENERAL TOLERANCES (UNLESS SPECIFIED) mm INCH 4 PLACES ± --- ± --- 3 PLACES ± --- ± --- 2 PLACES ± 0.10 ± --- 1 PLACE ± 0.10 ± --- ANGULAR ± 1/2° | DIMENSION STYLE IN/MM DRAWN BY: KPEVZNER DATE: 2010/09/16 CHECKED BY: DATE: | SCALE: 4:1 DESIGN UNITS: INCH THIRD ANGLE PROJECTION | |
| | APPROVED BY: WCHEN DATE: 2010/09/16 MATERIAL NO.: 1061141200 | DATE: 2010/09/16 MOLEX INCORPORATED DOCUMENT NO.: SD-106114-1200 | SHEET NO.: 1 OF 1 | | |
| | DRAFT WHERE APPLICABLE MUST REMAIN WITHIN DIMENSIONS | | | THIS DRAWING CONTAINS INFORMATION THAT IS PROPRIETARY TO MOLEX INCORPORATED AND SHOULD NOT BE USED WITHOUT WRITTEN PERMISSION | |
| | SIZE B | | | THIS DRAWING CONTAINS INFORMATION THAT IS PROPRIETARY TO MOLEX INCORPORATED AND SHOULD NOT BE USED WITHOUT WRITTEN PERMISSION | |