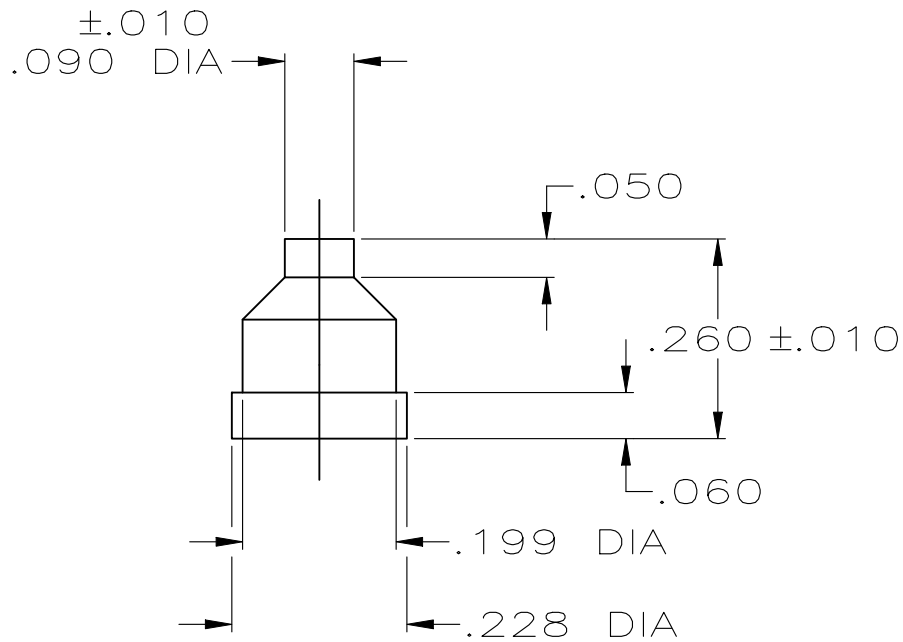


REVISIONS				
P	LTR	DESCRIPTION	DATE	APVD
C		REVISED FOR PART MATERIAL CHANGE	13JAN2021	SCK


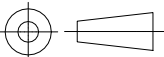


TE Connectivity. All Rights Reserved.

1. THIN MEMBRANE PERMISSIBLE ON SMALL DIAMETER OF WIRE SEALS.

207565-2

PART NUMBER

DIMENSIONS: INCHES	DWN S.RIDGLEY	7/27/90	MATERIAL BLACK RUBBER	FINISH -
	CHK -	BG	 TE Connectivity	
TOLERANCES UNLESS OTHERWISE SPECIFIED:	APVD -	-		
	PRODUCT SPEC -	-	SIZE A4	CAGE CODE 00779
0 PLC ± - 1 PLC ± - 2 PLC ± - 3 PLC ± .005 4 PLC ± - ANGLES ± -	APPLICATION SPEC -	RESTRICTED TO -	SCALE 2:1	
	WEIGHT -	SHEET 1 OF 1		REV C
	CUSTOMER DRAWING			