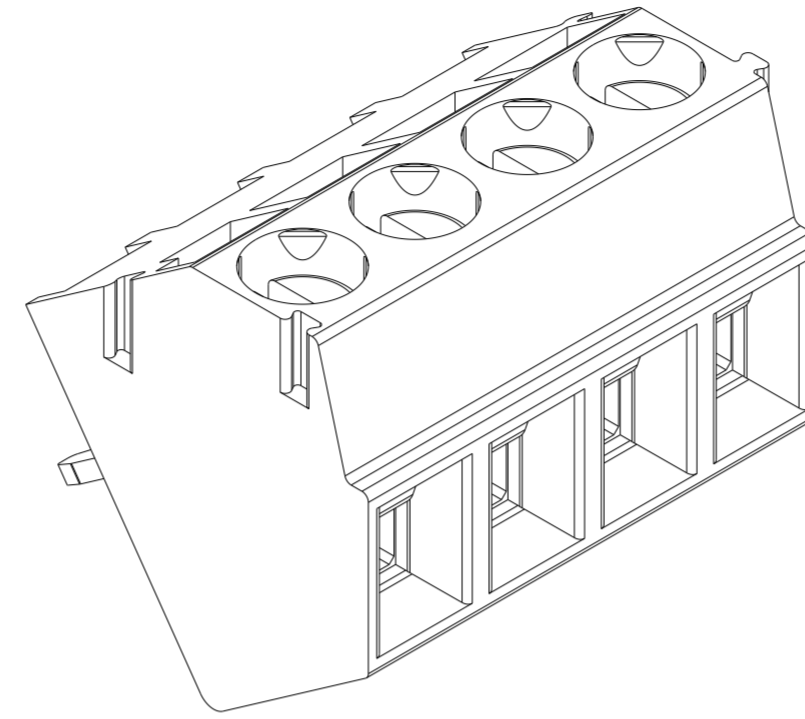
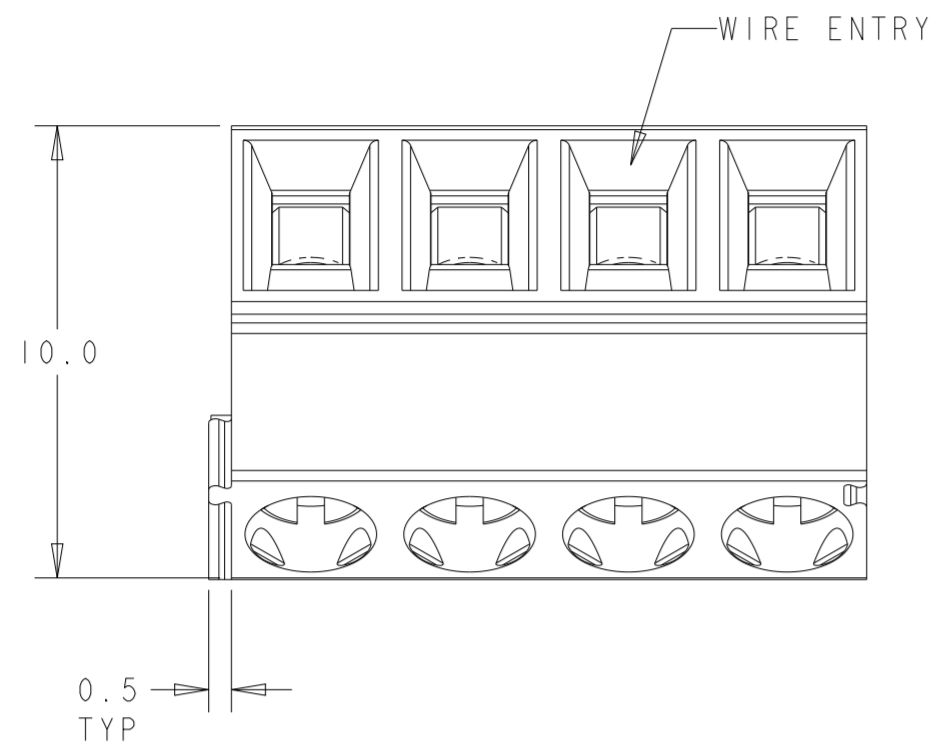
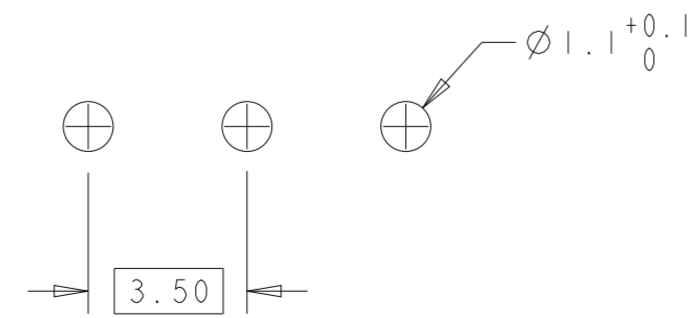
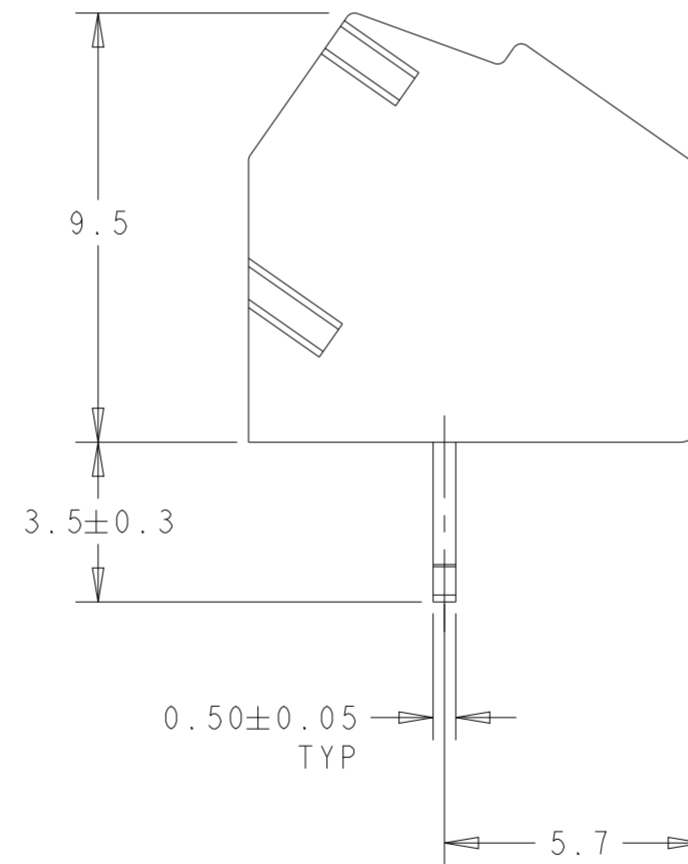
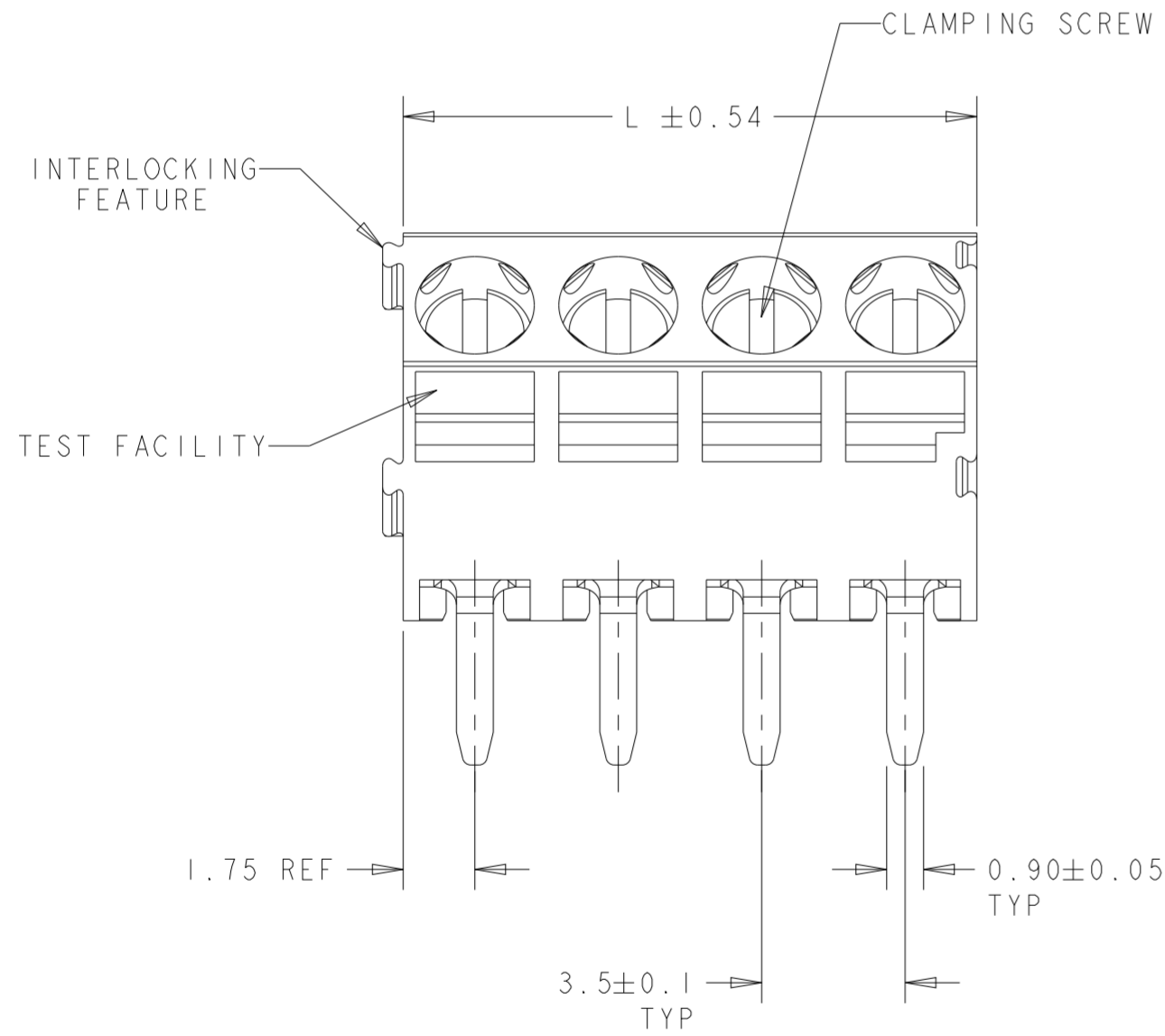


P	LTR	DESCRIPTION	DATE	DWN	APVD
0		RELEASED EC 0G3B-0612-04	02JUN2005	SW	CR
A		PART STATUS UPDATED	19OCT2021	SCB	SS



1776114-4 AS SHOWN

1. MATERIALS AND FINISH:
 HOUSING: HIGH TEMPERATURE POLYAMIDE, UL 94V-0 RATED, COLOR: BLACK.
 TERMINAL: COPPER ALLOY, TIN PLATED.
 CLAMP: COPPER ALLOY, NICKEL PLATED.
 CLAMPING SCREW: COPPER ALLOY, NICKEL PLATED.
2. WIRE SIZE RANGE: 16-28 AWG.
3. CURRENT RATING: 12A, 300V
 OPERATING TEMPERATURE: -40°C TO +110°C
4. SUITABLE FOR 2.4mm MAX PC BOARD THICKNESS.

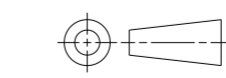


RECOMMENDED PC BOARD LAYOUT

	42.00	12	1-1776114-2
	38.50	11	1-1776114-1
	35.00	10	1-1776114-0
	31.50	9	1776114-9
	28.00	8	1776114-8
	24.50	7	1776114-7
	21.00	6	1776114-6
	17.50	5	1776114-5
OBSOLETE	14.00	4	1776114-4
	10.50	3	1776114-3
	7.00	2	1776114-2
L	NO OF POSN	PART NUMBER	

THIS DRAWING IS A CONTROLLED DOCUMENT.

DIMENSIONS: mm



MATERIAL

TOLERANCES UNLESS OTHERWISE SPECIFIED:
 0 PLC ±
 1 PLC ±0.2
 2 PLC ±0.25
 3 PLC ±0.000
 4 PLC ±0.000
 ANGLES ±
 FINISH



DWN S. WELDON 02JUN2005
 CHK C. RICHARD 02JUN2005
 APVD C. RICHARD 02JUN2005

PRODUCT SPEC
 APPLICATION SPEC

WEIGHT

CUSTOMER DRAWING

STE TE Connectivity

NAME: TERMINAL BLOCK, ANGLED ENTRY, 55 DEGREE, MODULAR, 3.5mm PITCH

SIZE	CAGE CODE	DRAWING NO	RESTRICTED TO
A2	00779	C-1776114	-

SCALE 6:1 SHEET 1 OF 1 REV A