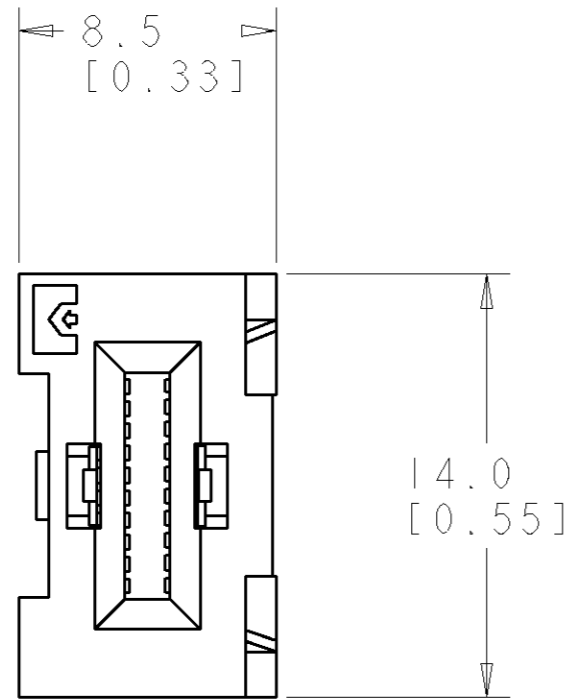


THIS DRAWING IS UNPUBLISHED. RELEASED FOR PUBLICATION 20
 © COPYRIGHT 20 BY TYCO ELECTRONICS CORPORATION. ALL RIGHTS RESERVED.

LOC	DIST	REVISIONS					
GP	00	P	LTR	DESCRIPTION	DATE	DWN	APVD
		A		RELEASED	2FEB07	RG	PD



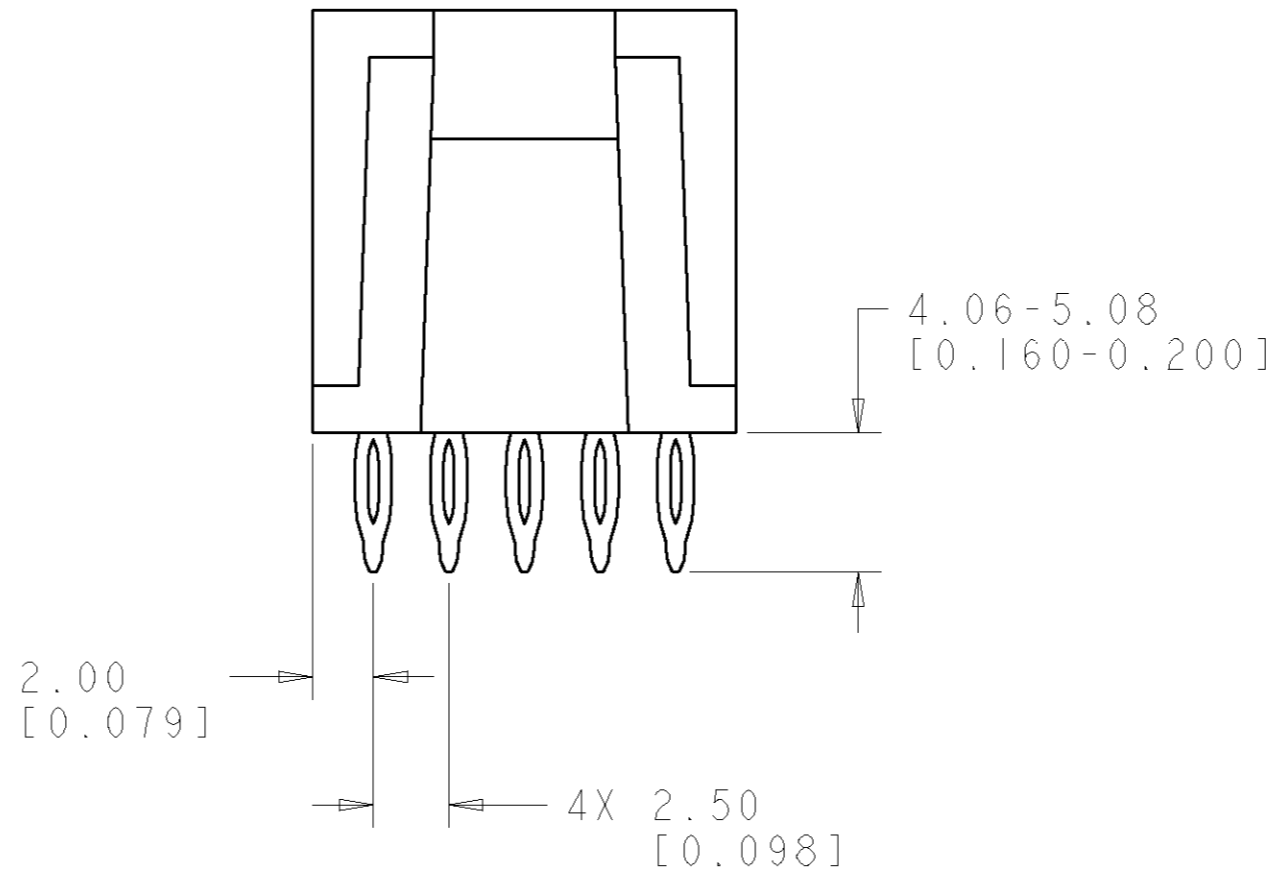
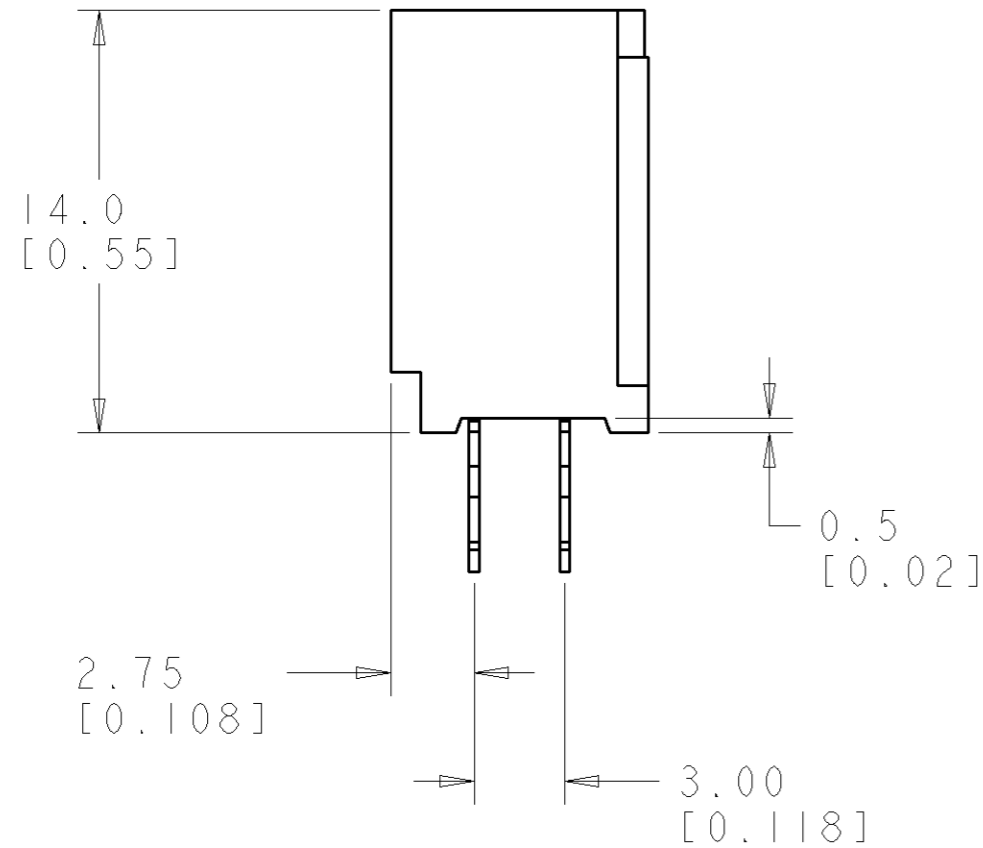
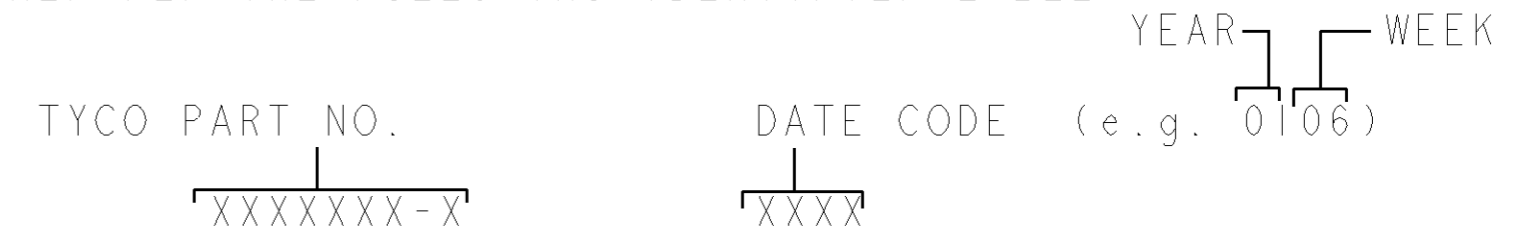
1. PART NUMBER CHANGES AND OR DESIGN CHANGES AFFECTING ITEM INTERCHANGEABILITY REQUIRE PRIOR TYCO APPROVAL AND AUTHORIZATION BY REVISION TO THIS DRAWING.

2. MATERIAL:
 INSULATORS - THERMOPLASTIC, GLASS REINFORCED, COLOR: BLACK UL94V-0 FLAMMABILITY RATED.
 CONTACTS - COPPER ALLOY,

3. FINISH:
 CONTACTS - GOLD PLATE .76μm MIN. THK. OVER NICKEL
 1.27μm MIN. THK
 COMPLIANT TAILS, TIN, MATTE FINISH 1.02μm MIN. THK.
 OVER NICKEL 1.27μm MIN THK.

4. CONTACT TYCO FOR RECOMMENDED PRESS TOOL DRAWING, FIX00229,

⚠ ITEMS PROVIDED TO THIS SPECIFICATION TO BE PERMANENTLY IDENTIFIED ON THE CONTAINER PER THE FOLLOWING IDENTIFIER LABEL



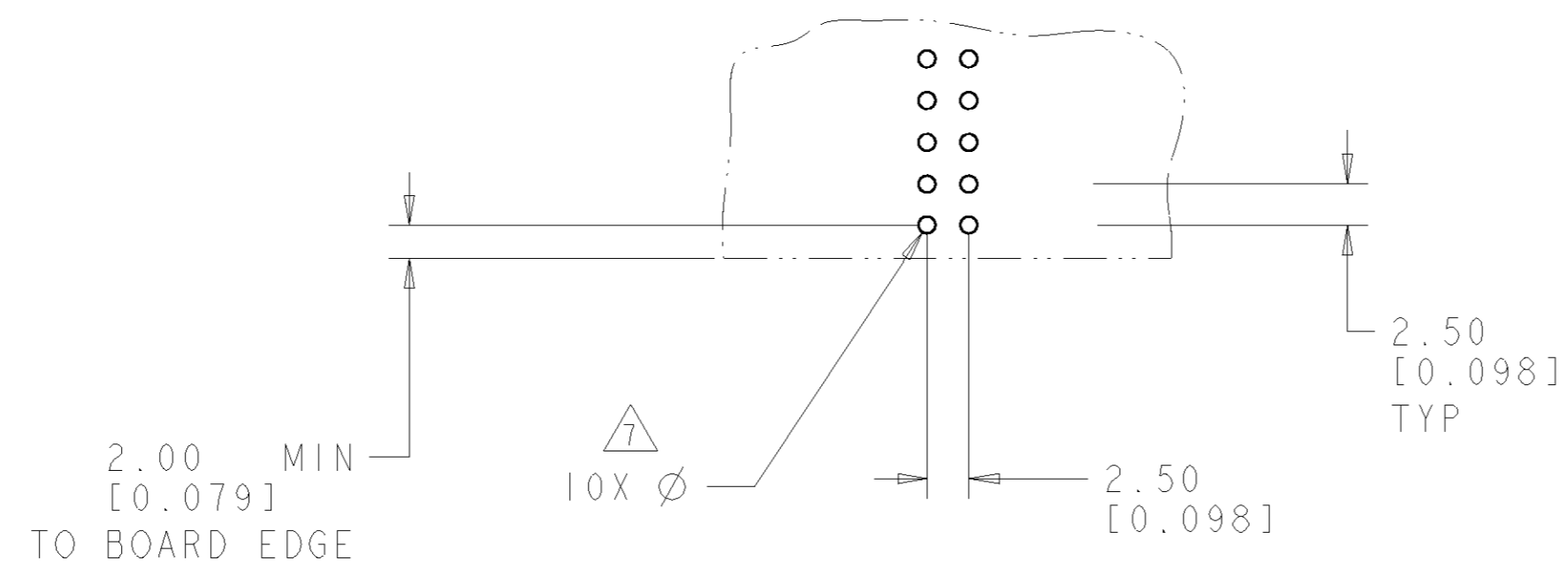
AS SHOWN	1766966-1
DESCRIPTION	PART NUMBER

THIS DRAWING IS A CONTROLLED DOCUMENT FOR TYCO ELECTRONICS CORPORATION IT IS SUBJECT TO CHANGE AND THE CONTROLLING ENGINEERING ORGANIZATION SHOULD BE CONTACTED FOR THE LATEST REVISION.		DWN R. GRZYBOWSKI 2FEB07	<table border="1"> <tr> <td>tyco</td> <td>Tyco Electronics</td> </tr> <tr> <td>Electronics</td> <td>Harrisburg, PA 17105-3608</td> </tr> <tr> <td>NAME</td> <td>STRAIGHT SOCKET CONNECTOR FP200 FLATPAQ</td> </tr> <tr> <td>SIZE</td> <td>CAGE CODE</td> <td>DRAWING NO.</td> <td>RESTRICTED TO</td> </tr> <tr> <td>A2</td> <td>00779</td> <td>C-1766966</td> <td>-</td> </tr> </table>	tyco	Tyco Electronics	Electronics	Harrisburg, PA 17105-3608	NAME	STRAIGHT SOCKET CONNECTOR FP200 FLATPAQ	SIZE	CAGE CODE	DRAWING NO.	RESTRICTED TO	A2	00779	C-1766966	-
tyco	Tyco Electronics																
Electronics	Harrisburg, PA 17105-3608																
NAME	STRAIGHT SOCKET CONNECTOR FP200 FLATPAQ																
SIZE	CAGE CODE	DRAWING NO.		RESTRICTED TO													
A2	00779	C-1766966	-														
DIMENSIONS: mm [INCHES]		CHK P. DAMATO 2FEB07															
TOLERANCES UNLESS OTHERWISE SPECIFIED:		APVD S. FLOCKINGER 2FEB07															
0 PLC ±		PRODUCT SPEC															
1 PLC ±.5 [.020]		APPLICATION SPEC															
2 PLC ±.25 [.010]																	
3 PLC ±		WEIGHT															
4 PLC ±		-															
ANGLES ±.5																	
FINISH		CUSTOMER DRAWING															
-		SCALE 3:1															
-		SHEET 1 OF 3															
-		REV A															

ELCON FLATPAQ

THIS DRAWING IS UNPUBLISHED. RELEASED FOR PUBLICATION 20
 © COPYRIGHT 20 BY TYCO ELECTRONICS CORPORATION. ALL RIGHTS RESERVED.

LOC	DIST	REVISIONS			
P	LTR	DESCRIPTION	DATE	DWN	APVD
GP	00	-	SEE SHEET 1	-	-



PRINTED CIRCUIT LAYOUT
 COMPONENT SIDE

CONNECTOR	CATALOG MODULE #	QTY	SIZE NO.	CONTACT QTY	MATING PIN	MAX. CURRENT (PER CONTACT)	CONTACT SPACING	VOLTAGE RATING
SOCKET	FP200	1	8	2	1.25 X 7.00 [.049 X .276]	35 amps	7.50 [.2953]	250 VOLTS

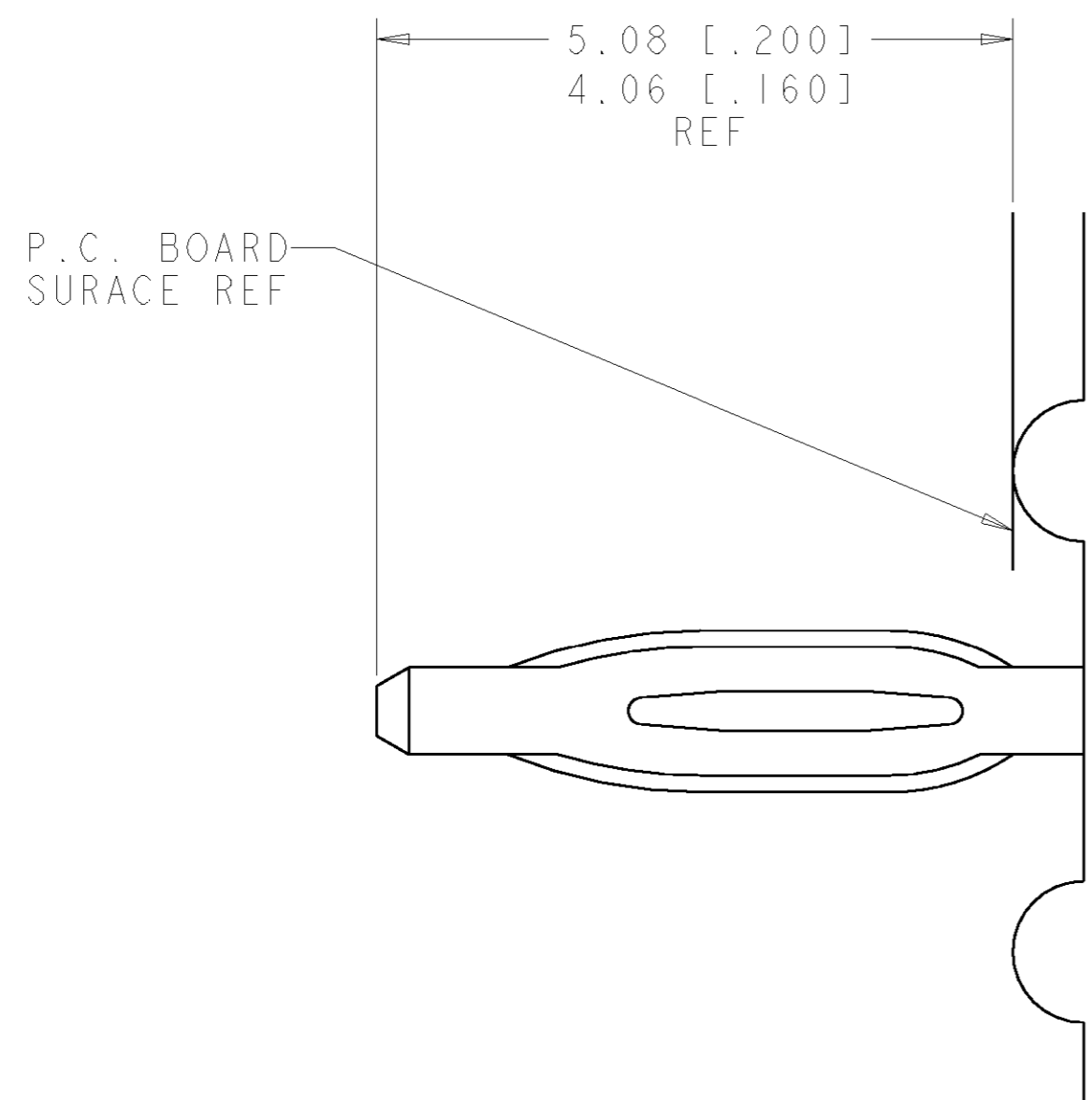
THIS DRAWING IS A CONTROLLED DOCUMENT FOR TYCO ELECTRONICS CORPORATION. IT IS SUBJECT TO CHANGE AND THE CONTROLLING ENGINEERING ORGANIZATION SHOULD BE CONTACTED FOR THE LATEST REVISION.

DWN	R. GRZYBOWSKI	2FEB07	Tyco Electronics Harrisburg, PA 17105-3608
CHK	P. DAMATO	2FEB07	
APVD	S. FLICKINGER	2FEB07	
NAME	STRAIGHT SOCKET CONNECTOR		
PRODUCT SPEC	-		FP200 FLATPAQ
APPLICATION SPEC	-		SIZE CAGE CODE DRAWING NO RESTRICTED TO
WEIGHT	-		A200779C-1766966 -
CUSTOMER DRAWING	SCALE 3:1 SHEET 2 OF 3 REV A		

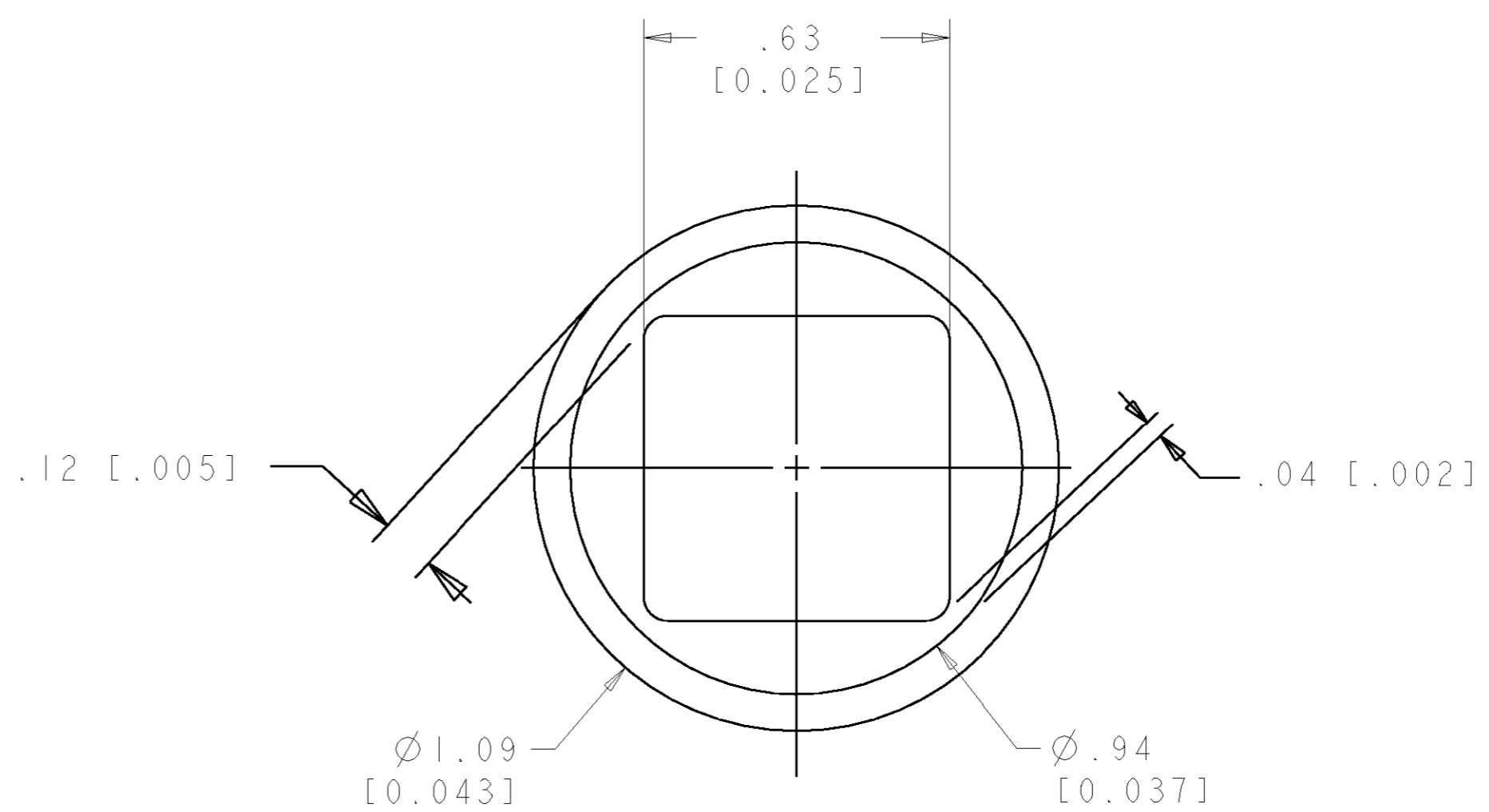
ELCON FLATPAQ

THIS DRAWING IS UNPUBLISHED. RELEASED FOR PUBLICATION 20
 © COPYRIGHT 20 BY TYCO ELECTRONICS CORPORATION. ALL RIGHTS RESERVED.

LOC	DIST	REVISIONS					
GP	00	P	LTR	DESCRIPTION	DATE	DWN	APVD
		-		SEE SHEET 1	-	-	-



6. COMPLIANT PIN DETAIL
 SCALE 10 : 1
 INSERTION/EXTRACTION FORCES
 MAXIMUM PUSH IN: 133.3N PER PIN
 [30 LBS]
 MINIMUM PUSH OU: 44.4N PER PIN
 [10 LBS]



∇ SOLDER TERMINATION AREA
 SCALE 40:1
 RECOMMENDED PRINTED CIRCUIT HOLE
 COMPLIANT PRESS FIT
 DRILLED HOLE: $\phi 1.15 [0.0453] \pm .013 [.0005]$
 COPPER PLATE: .025 [.0010] TO .050 [.0020]
 TIN PLATE: .0005 [.000020] MIN. (PER SURFACE)

ELCON **FLATPAQ**

<small>THIS DRAWING IS A CONTROLLED DOCUMENT FOR TYCO ELECTRONICS CORPORATION IT IS SUBJECT TO CHANGE AND THE CONTROLLING ENGINEERING ORGANIZATION SHOULD BE CONTACTED FOR THE LATEST REVISION.</small>		DWN R. GRZYBOWSKI 2FEB07 CHK P. DAMATO 2FEB07 APVD S. FLICKINGER 2FEB07	tyco Tyco Electronics Electronics Harrisburg, PA 17105-3608
DIMENSIONS: mm [INCHES]	TOLERANCES UNLESS OTHERWISE SPECIFIED: 0 PLC \pm 1 PLC $\pm .5 [.020]$ 2 PLC $\pm .25 [.010]$ 3 PLC \pm 4 PLC \pm ANGLES ± 5 FINISH	NAME STRAIGHT SOCKET CONNECTOR PRODUCT SPEC APPLICATION SPEC WEIGHT	DRAWING NO. FP200 FLATPAQ RESTRICTED TO -
MATERIAL -	CUSTOMER DRAWING	SIZE A200779	DRAWING NO. C-1766966 SCALE 3:1 SHEET 3 OF 3 REV A