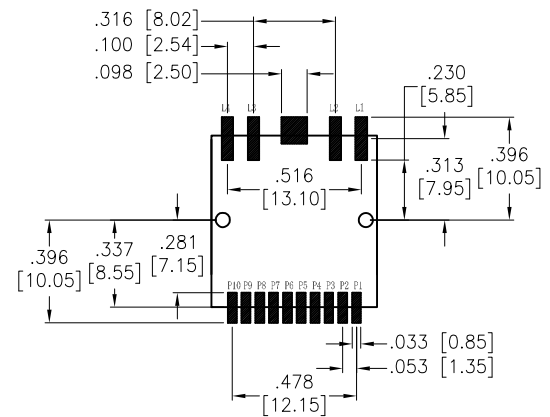
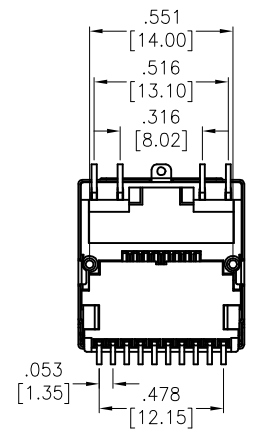
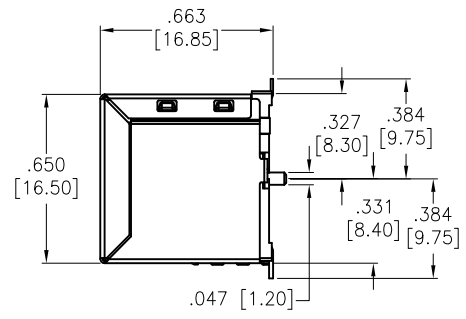
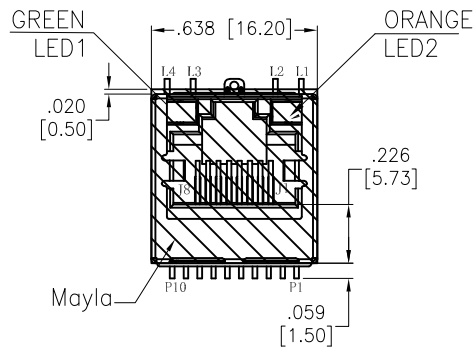


6	5	4	3	2	1
APPROVED: _____			Rev	AWO #	Description
DATE: _____ TITLE: _____			-		RELEASED
					Date
					5/12/20
					Appr



RECOMMENDED PCB LAYOUT

SPECIFICATIONS:
 Material:
 Insulator: Hi-Temp Thermoplastic, rated UL 94V-0
 Insulator color: Black
 Contacts: Phosphor Bronze
 Shield: Brass, Nickel plated
 Contact Plating:
 Round contact
 Gold over Nickel underplate overall
 Flat contact
 Gold over Nickel underplate on contact area,
 Tin over Nickel underplate on solder tails
 Electrical:
 Voltage rating: 150 VAC
 Contact Resistance: 20 mohms max
 Insulation resistance: 500 Mohms min
 Dielectric withstanding voltage: 2250 VDC For 1 Minute
 Temperature Rating:
 Operating temperature: -40°C to +85°C
 Agency Certifications:
 UL Recognized
 Environmental:
 Lead free, RoHS compliant.



UNLESS OTHERWISE SPECIFIED ALL DIMENSIONS ARE INCHES [MM] TOLERANCES: EXCEPT AS NOTED	
INCHES	HOLES
.X ± .10	Ø.X ± .10
.XX ± .020	Ø.XX ± .015
.XXX ± .015	Ø.XXX ± .010
APPROVALS	
DRAWN	DATE
LH	5/12/20
CHECKED	DATE
AC	5/12/20
APPROVED	

ADAM TECH INTERCONNECTS 909 Rahway Avenue,
 Union, NJ 07083
 Phone: 908-687-5000
 Fax: 908-687-5710

TITLE: MODULAR TELEPHONE JACK, 8P8C
 W/ LED1 GREEN, W/ LED2 ORANGE, 1000M BASE-T

SIZE	PART NO.	REV.
X	MTJ-88AX1-FS-TSMT-P-L5-M398AC-WOT-KT	-
REF: S00005C	SCALE: NTS	SHEET 1 OF 2

6

5

4

3

2

1

APPROVED: _____

DATE: _____ TITLE: _____

Rev | AWO # | Description | Date | Appr

SEE SHT 1 OF 2 FOR REVISION

BOARD SIDE

CABLE SIDE

1CT:1CT

1CT:1CT

1CT:1CT

1CT:1CT

75 ohm 75 ohm 75 ohm 75 ohm

CAP 1000pF 2.5KV

L4 L3 L2 L1

Pin	Green	Pin	Orange
L4	+	L2	+
L3	-	L1	-

ELECTRICAL SPECIFICATIONS @ 25°C :

- Turn Ratio @100KHz: (P1~P2):(J1~J2) = 1:1±5%
(P3~P4):(J3~J6) = 1:1±5%
(P7~P8):(J4~J5) = 1:1±5%
(P9~P10):(J7~J8) = 1:1±5%
- Primary Inductance: 350uH MIN @100KHZ,0.1V 8mA DC BIAS
- DC Resistance: 1.2 OHMS MAX
- Insertion Loss: 1-100MHz -1.0dB MAX
100-125MHz -1.2dB MAX
- Return Loss: 1-40MHz -16dB MIN
40-60MHz -12dB MIN
60-80MHz -10dB MIN
80-100MHz -8dB MIN
- Cross Talk: 1-100MHz -30dB MIN
- COMMON TO COMMON MODE ATTENUATION: 1-100MHz -30dB MIN
- Isolation: PHY Side to Line Side: 2250VDC

UNLESS OTHERWISE SPECIFIED
ALL DIMENSIONS ARE INCHES [MM]
TOLERANCES: EXCEPT AS NOTED
INCHES HOLES

.X	± .10	∅.X	±.10
.XX	± .020	∅.XX	±.015
.XXX	± .015	∅.XXX	±.010

ADAM
TECH
INTERCONNECTS

909 Rahway Avenue,
Union, NJ 07083
Phone: 908-687-5000
Fax: 908-687-5710

TITLE
MODULAR TELEPHONE JACK, 8P8C
W/ LED1 GREEN, W/ LED2 ORANGE, 1000M BASE-T

APPROVALS		DATE
DRAWN	LH	5/12/20
CHECKED	AC	5/12/20
APPROVED		

SIZE	PART NO.	REV.
X	MTJ-88AX1-FS-TSMT-P-L5-M398AC-WOT-KT	-
REF:	S00005C	SCALE: NTS
		SHEET 2 OF 2

6

5

4

3

2

1