

4

3

2

1

THIS DRAWING IS UNPUBLISHED.

RELEASED FOR PUBLICATION

,19

© COPYRIGHT 19

BY AMP INCORPORATED. ALL RIGHTS RESERVED.

LOC

DIST

REVISIONS

AJ

16

P

LTR

DESCRIPTION

DATE

DWN

APVD

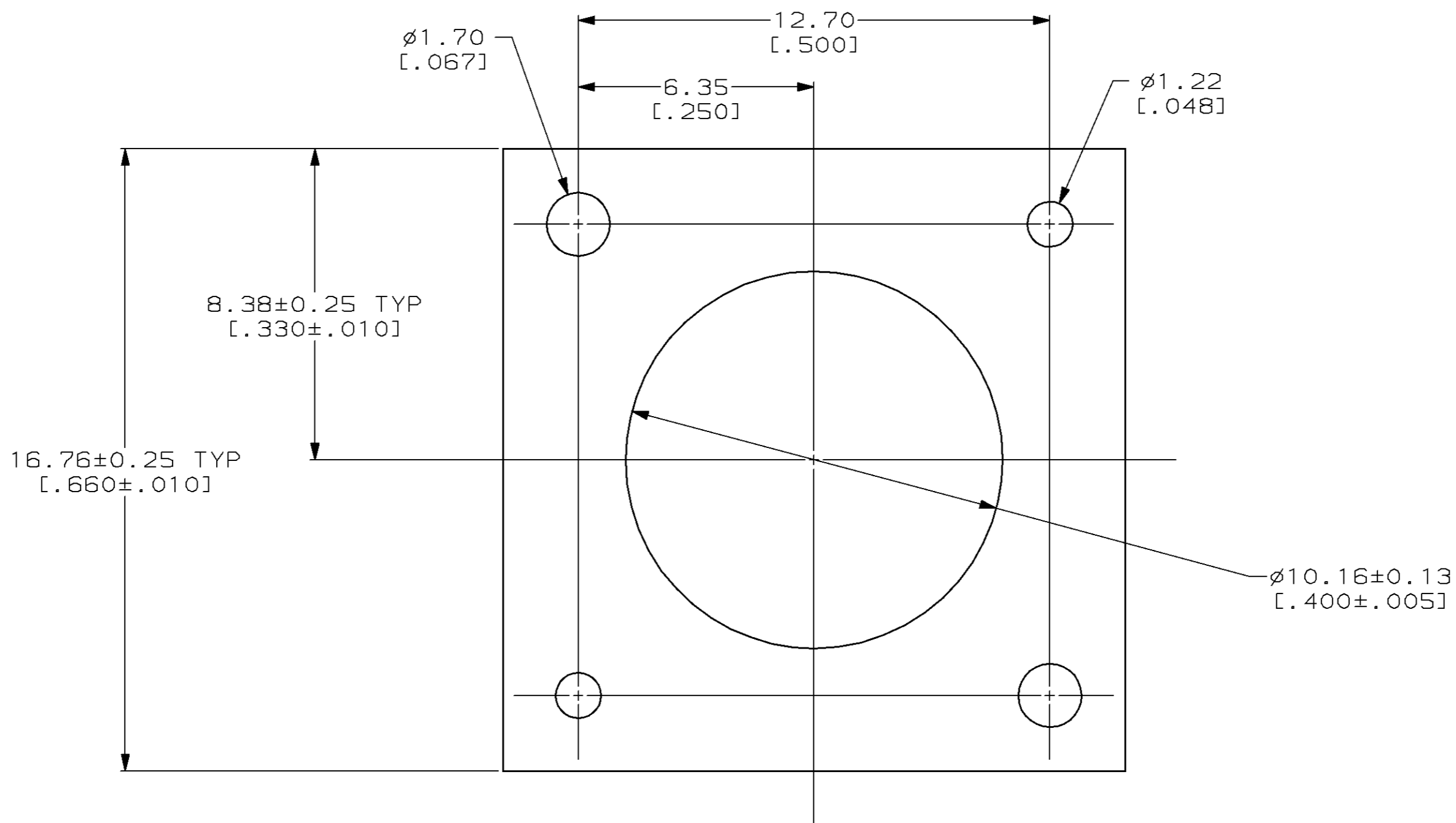
A

REV PER 0630-0538-98

22DEC98

MO

JL

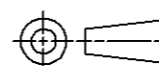


1274213-1  
PART NUMBER

1. FOR USE WITH 414493-1 AND 414553-1.

THIS DRAWING IS A CONTROLLED DOCUMENT.

DIMENSIONS:  
mm [IN]



TOLERANCES UNLESS OTHERWISE SPECIFIED:

- 0 PLC ±-
- 1 PLC ±-
- 2 PLC ±0.08 [0.003]
- 3 PLC ±-
- 4 PLC ±-
- ANGLES ±-

MATERIAL  
MYLAR, .010 THICK

FINISH

-

DWN 12-11-98

J. LIPPERT

CHK 12-11-98

J. LIPPERT

APVD 12-11-98

J. LIPPERT

PRODUCT SPEC

-

APPLICATION SPEC

-

WEIGHT

-

CUSTOMER DRAWING



AMP Incorporated  
Harrisburg, PA 17105-3608

NAME

MYLAR INSULATOR

SIZE

CAGE CODE

DRAWING NO

RESTRICTED TO

A3 00779

C- 1274213

-

SCALE

-

SHEET

1 OF 1

REV

A