

THIS DRAWING CONTAINS INFORMATION THAT IS PROPRIETARY TO MOLEX ELECTRONIC TECHNOLOGIES, LLC AND SHOULD NOT BE USED WITHOUT WRITTEN PERMISSION									
DIMENSION UNITS IN/MM		SCALE 2:1		CURRENT REV DESC: REMOVED OBSOLETE PARTS AS PER PCN 511086					
GENERAL TOLERANCES (UNLESS SPECIFIED)				EC NO: 699022		molex			
		MM	INCH						
4 PLACES	±			DRWN: RPRABHUM		2022/03/09		.093/(2.36) HOUSINGS PLUG AND RECEPTACLE 12 CKT, .198/(5.03)CTR.	
3 PLACES	±		± 0.01	CHK'D: GGA		2022/03/23		PRODUCT CUSTOMER DRAWING	
2 PLACES	±	0.25	± 0.014	APPR: GGA		2022/03/23		DOCUMENT NUMBER	
1 PLACE	±	0.35		INITIAL REVISION:				DOC TYPE DOC PART REVISION	
0 PLACES	±			DRWN: KBW		1989/01/03		SD-1360-X	
ANGULAR TOL	±	2.0 °		APPR: FSMITH		2014/11/13		PSD 001 AE3	
DRAFT WHERE APPLICABLE MUST REMAIN WITHIN DIMENSIONS				THIRD ANGLE PROJECTION		DRAWING		SERIES	
						C-SIZE		1360	
DOCUMENT STATUS				MATERIAL NUMBER		CUSTOMER		SHEET NUMBER	
P1 RELEASE DATE 2022/03/23 06:00:54				SEE CHART		GENERAL MARKET		1 OF 2	

PLUG	
ORDER NO	ENG NO
03-09-2121	I360-P

RECEPTACLE	
ORDER NO	ENG NO
03-09-1121	I360-R ⁶
03-09-1125	I360-R2 ⁶
03-09-1126	I360-R3
03-09-6121	I360-RBK
03-09-6125	I360-R2BK
03-09-6126	I360-R3BK

LEGEND: PLUG

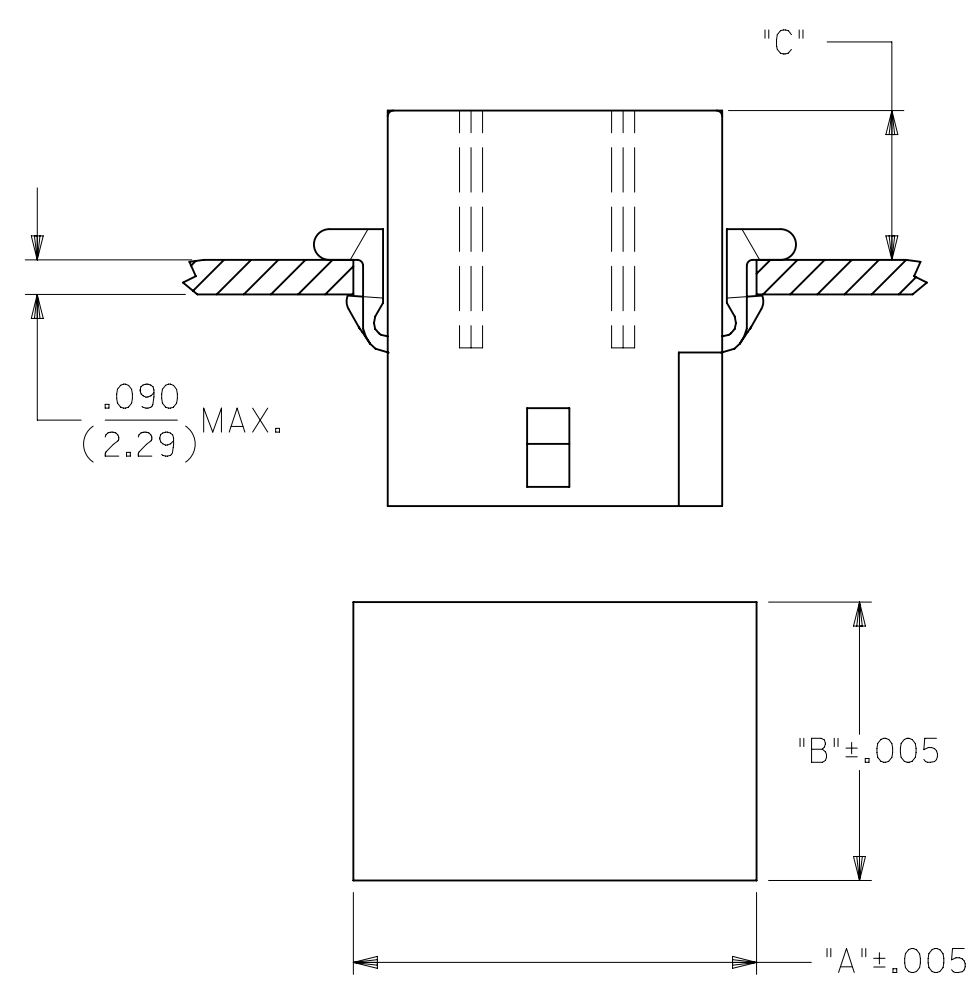
P = PLUG
 BLANK = WITHOUT EARS
 I = WITH MOUNTING EARS
 COLOR:
 BLANK = NATURAL COLOR
 AM = AMBER BK = BLACK BU = BLUE
 BN = BROWN GY = GRAY GN = GREEN
 OR = ORANGE RD = RED YW = YELLOW

LEGEND: RECEPTACLE

R = RECEPTACLE

OPTION	PREBENT EARS	LOCKING RAMP
BLANK	X	
1		
2	X	X
3		X

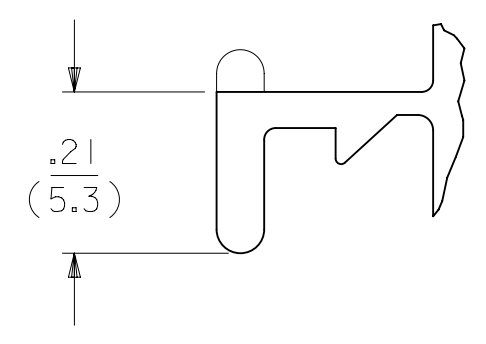
 X = PRESENT
 COLOR:
 BLANK = NATURAL COLOR
 AM = AMBER BK = BLACK BU = BLUE
 BN = BROWN GY = GRAY GN = GREEN
 OR = ORANGE RD = RED YW = YELLOW



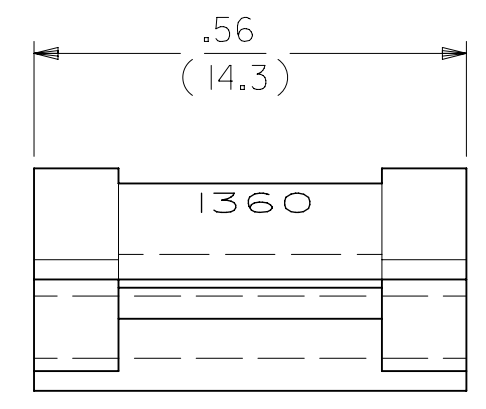
RECOMMENDED PANEL OPENING

HOUSING	DIM. "A"	DIM. "B"	"C" PREBENT EAR	"C" STANDARD EAR
PLUG	1.155/(29.34)	.760/(19.30)	.40/(10.2)	.36/(9.1)
RECEPT.	1.050/(26.67)	.725/(18.42)	.41/(10.4)	.37/(9.4)

- NOTES:
- MATERIAL: NYLON TYPE 6/6, UL94V-2
 - FINISH: N/A
 - PRODUCT SPECIFICATION: PS-02-09, PS-43660-9999
 - PACKAGING SPECIFICATION: PK-1360-001
 - ⁵ CIRCUIT I.D. NUMBERS ON SIDE OF HOUSING APPEAR ON PARTS FROM TOOLS BUILT AFTER 10/22/91
 - ⁶ WHERE DENOTED IN CHART, TOOLS ARE BUILT WITH PREBENT MOUNTING EARS PER DETAIL B AND SUPERSEDE ALL TOOLS PREVIOUSLY BUILT WITH THE STANDARD EARS.
 - PARTS CONFORM TO CLASS B REQUIREMENTS OF COSMETIC SPECIFICATION PS-45499-002.



DETAIL A
 .093/(2.36) STANDARD MOUNTING EAR
 (SCALE 4:1)



DETAIL B
 .093/(2.36)PREBENT MOUNTING EAR
 (SCALE 4:1)

THIS DRAWING CONTAINS INFORMATION THAT IS PROPRIETARY TO MOLEX ELECTRONIC TECHNOLOGIES, LLC AND SHOULD NOT BE USED WITHOUT WRITTEN PERMISSION

DIMENSION UNITS IN/MM	SCALE 2:1	CURRENT REV DESC: REMOVED OBSOLETE PARTS AS PER PCN 511086	molex			
GENERAL TOLERANCES (UNLESS SPECIFIED)		EC NO: 699022				.093/(2.36) HOUSINGS PLUG AND RECEPTACLE 12 CKT, .198/(5.03)CTR.
4 PLACES ±	±	DRWN: RPRABHUM 2022/03/09	PRODUCT CUSTOMER DRAWING			
3 PLACES ±	± 0.01	CHK'D: GGA 2022/03/23	DOCUMENT NUMBER	DOC TYPE	DOC PART	REVISION
2 PLACES ±	0.25 ± 0.014	APPR: GGA 2022/03/23	SD-1360-X	PSD	001	AE3
1 PLACE ±	0.35 ±	INITIAL REVISION:	MATERIAL NUMBER			
0 PLACES ±	±	DRWN: KBW 1989/01/03	CUSTOMER		SHEET NUMBER	
ANGULAR TOL ±	2.0 °	APPR: FSMITH 2014/11/13	SEE CHART	GENERAL MARKET	2 OF 2	
DRAFT WHERE APPLICABLE MUST REMAIN WITHIN DIMENSIONS		THIRD ANGLE PROJECTION	DRAWING	SERIES	MATERIAL NUMBER	
			C-SIZE	1360		