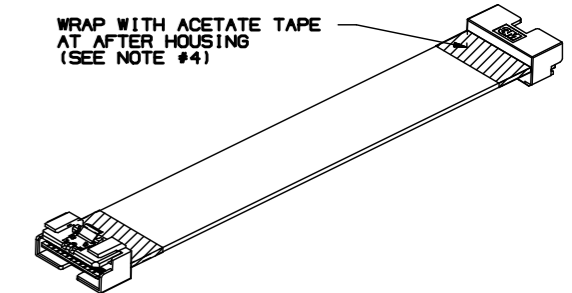
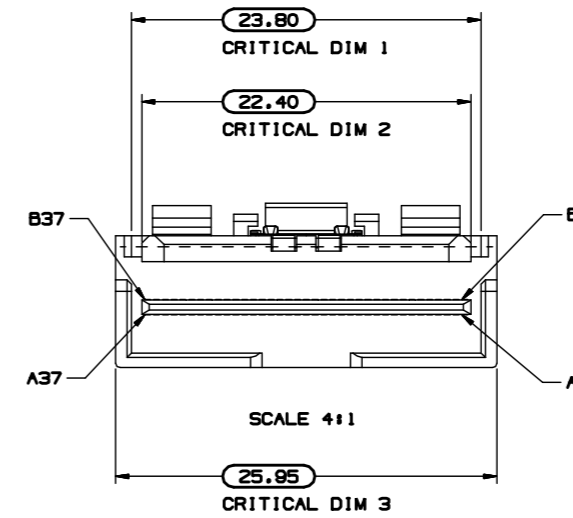
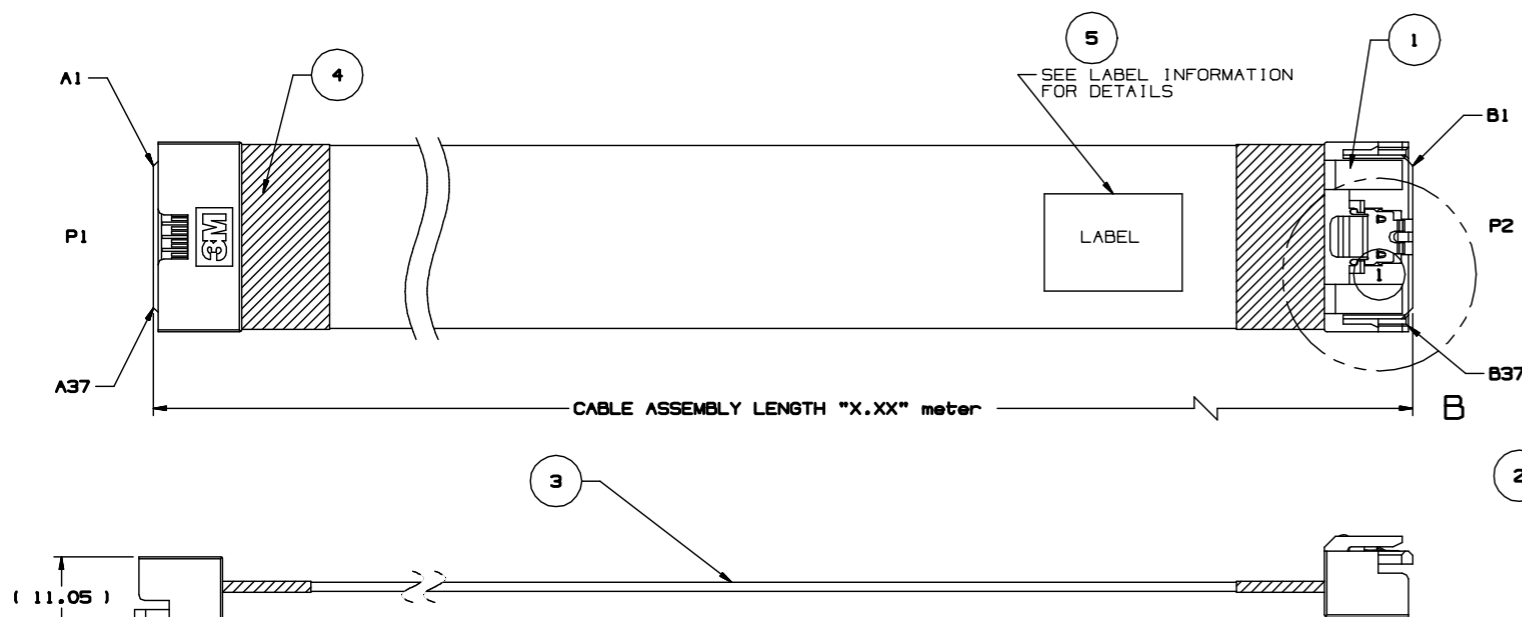


3M™ LOW PROFILE I/O TWIN AXIAL CABLE ASSEMBLY



P1 LP1/O		P2 LP1/O	P1 LP1/O		P2 LP1/O
A1	GND	B1	B1	GND	A1
A2	TX0+	B2	B2	RX0+	A2
A3	TX0-	B3	B3	RX0-	A3
A4	GND	B4	B4	GND	A4
A5	TX1+	B5	B5	RX1+	A5
A6	TX1-	B6	B6	RX1-	A6
A7	GND	B7	B7	GND	A7
A8	TX2+	B8	B8	RX2+	A8
A9	TX2-	B9	B9	RX2-	A9
A10	GND	B10	B10	GND	A10
A11	TX3+	B11	B11	RX3+	A11
A12	TX3-	B12	B12	RX3-	A12
A13	GND	B13	B13	GND	A13
A14	TX4+	B14	B14	RX4+	A14
A15	TX4-	B15	B15	RX4-	A15
A16	GND	B16	B16	GND	A16
A17	TX5+	B17	B17	RX5+	A17
A18	TX5-	B18	B18	RX5-	A18
A19	GND	B19	B19	GND	A19
A20	TX6+	B20	B20	RX6+	A20
A21	TX6-	B21	B21	RX6-	A21
A22	GND	B22	B22	GND	A22
A23	TX7+	B23	B23	RX7+	A23
A24	TX7-	B24	B24	RX7-	A24
A25	GND	B25	B25	GND	A25
A26	TX8+	B26	B26	RX8+	A26
A27	TX8-	B27	B27	RX8-	A27
A28	GND	B28	B28	GND	A28
A29	TX9+	B29	B29	RX9+	A29
A30	TX9-	B30	B30	RX9-	A30
A31	GND	B31	B31	GND	A31
A32	TX10+	B32	B32	RX10+	A32
A33	TX10-	B33	B33	RX10-	A33
A34	GND	B34	B34	GND	A34
A35	TX11+	B35	B35	RX11+	A35
A36	TX11-	B36	B36	RX11-	A36
A37	GND	B37	B37	GND	A37

BCS8-1AG21-1.00
REV A
DATE CODE: WWYY
LABEL INFORMATION

- NOTES:
- PADDECARD PLATING:
30μ" MIN. GOLD PLATING
50μ" MIN. NICKEL UNDERPLATING.
 - UNLESS OTHERWISE NOTED, REFERENCES TO INDUSTRY SPECIFICATIONS ARE INTENDED TO INDICATE SUBSTANTIAL COMPLIANCE TO THE MATERIAL ELEMENTS OF THE SPECIFICATION. SUCH REFERENCE SHOULD NOT BE CONSTRUED AS A GUARANTEE OF COMPLIANCE TO ALL REQUIREMENTS IN A GIVEN SPECIFICATION.
 - CLOTH TAPE WRAPPED AROUND CABLE RIBBONS AT BACK OF EACH CONNECTOR. ALSO, UP TO TWO ADDITIONAL TAPE PIECES WILL BE WRAPPED AROUND THE TWO CABLE RIBBONS SPACED EQUIDISTANT FROM THE CONNECTOR ENDS AND EACH OTHER, DEPENDING ON ASS'Y LENGTH (L):
L <= 0.2M: NO ADDITIONAL TAPE
0.2M < L <= 0.6M: 1 TAPE WRAP
0.6M < L <= 1.0M: 2 TAPE WRAP
 - TWO RIBBONS OF 3M RIBBON TWIN AXIAL CABLE.
SL8802/24-CYEN5-00
85 OHM, 31AWG, 12PR
MEET HORIZONTAL-SPECIMEN APPLICANCE - WIRE FLAME TEST IN SECTION 1090 OF UL 1581 STANDARD.
 - THIS CABLE CONSTRUCTION HAS A THIN ALUMINUM LAYER AT EACH EDGE USER SHOULD EVALUATE ITS USE IN THEIR APPLICATION AND, IF NECESSARY, INSULATING TAPE MAY BE APPLIED TO COVER THE ALUMINUM LAYER, AS USER DEEMS APPROPRIATE.
 - LENGTH TOLERANCE:
±5MM FOR LENGTH <= 0.5 METERS
±10MM FOR LENGTH > 0.5 METERS.

ITEM	3M PART NUMBER	LENGTH "X.XX" meter	REMARKS
1	BCS8-1AG21-0.50	0.50	MIN PCIe G4, 8X
2	BCS8-1AG21-0.75	0.75	MIN PCIe G4, 8X
3	BCS8-1AG21-1.00	1.00	MIN PCIe G4, 8X
4	BCS8-1AG21-X.XX	OTHER LENGTHS	CONTACT 3M SALES

ITEM #	ITEM	DESCRIPTION	QTY
1	CONNECTOR	LOW PROFILE I/O PLUG, STRAIGHT, OVERMOLDED	2
2	PCB	PADDECARD, 1mm SUFFIX G2- 3M PN: 78-9102-7893-2	2
3	CABLE	RIBBON TWINAX CABLE 3M PN:SL8802/24-CYEN5-00 3M DWG: 78-9102-4601-2	AR
4	TAPE	BLACK ACETATE TAPE, HF	AR
5	LABEL	CABLE ASSEMBLY DESIGNATOR LABEL	1

Regulatory: For regulatory information about this product, visit 3M.com/regs or contact your 3M representative.

Technical Information: The technical information, recommendations and other statements contained in this document are based upon tests or experience that 3M believes are reliable, but the accuracy or completeness of such information is not guaranteed.

Product Use: Many factors beyond 3M's control and uniquely within user's control can affect the use and performance of a 3M product in a particular application. Given the variety of factors that can affect the use and performance of a 3M product, user is solely responsible for evaluating the 3M product and determining whether it is fit for a particular purpose and suitable for user's method of application.

Warranty, Limited Remedy, and Disclaimer: Unless an additional warranty is specifically stated on the applicable 3M product packaging or product literature, 3M warrants that each 3M product meets the applicable 3M product specification at the time 3M ships the product.

3M MAKES NO OTHER WARRANTIES OR CONDITIONS, EXPRESS OR IMPLIED, INCLUDING, BUT NOT LIMITED TO, ANY IMPLIED WARRANTY OR CONDITION OF MERCHANTABILITY OR FITNESS FOR A PARTICULAR PURPOSE OR ANY IMPLIED WARRANTY OR CONDITION ARISING OUT OF A COURSE OF DEALING, CUSTOM OR USAGE OR TRADE.

If the 3M product does not conform to this warranty, then the sole and exclusive remedy is, at 3M's option, replacement of the 3M product or refund of the purchase price.

Limitation of Liability: Except where prohibited by law, 3M will not be liable for any loss or damage arising from the 3M product, whether direct, indirect, special, incidental or consequential, regardless of the legal theory asserted, including warranty, contract, negligence or strict liability.

3M Company
Electronics Materials Solutions Division
13011 McCallen Pass, Bldg. C
Austin, TX 78753-5380
1-800-225-5373
www.3M.com/interconnect

DESIGN REFERENCE	NEXT ASSEMBLY	REV	ECO	ISSUE DATE AND DESCRIPTION	DRFT	CHKD
				0084206		
				JAN 14, 2021		RL
				New Release		RL
				DATE	DATE	DATE
				JAN 14, 2021	JAN 14, 2021	JAN 14, 2021
				DATE	DATE	DATE
				JAN 14, 2021	JAN 14, 2021	JAN 14, 2021
				© 3M COPYRIGHT 2020		
				This document and the information it contains are 3M property and may not be reproduced or further distributed without 3M permission, or used or disclosed other than for 3M authorized purposes. All rights reserved.		
DO NOT SCALE DRAWING		SCALE 2:1		TOLERANCES EXCEPT AS NOTED		
				INCHES		
				.00 ±		
				.00 ±		
				.00 ±		
				.000 ±		
THIRD ANGLE PROJECTION				MILLIMETERS		
				0 ±		
				.0 ±		
				.00 ±		
				.00 ±		
				.000 ±		
MAX SURFACE ROUGHNESS				ANGLES ±1°		
125						
ALL SURFACES						
MARKED ONLY						
				CAGE NUMBER		
				D78-5100-2723-4		
				REV. A		
				MODEL		
				SHT 1 OF 1		