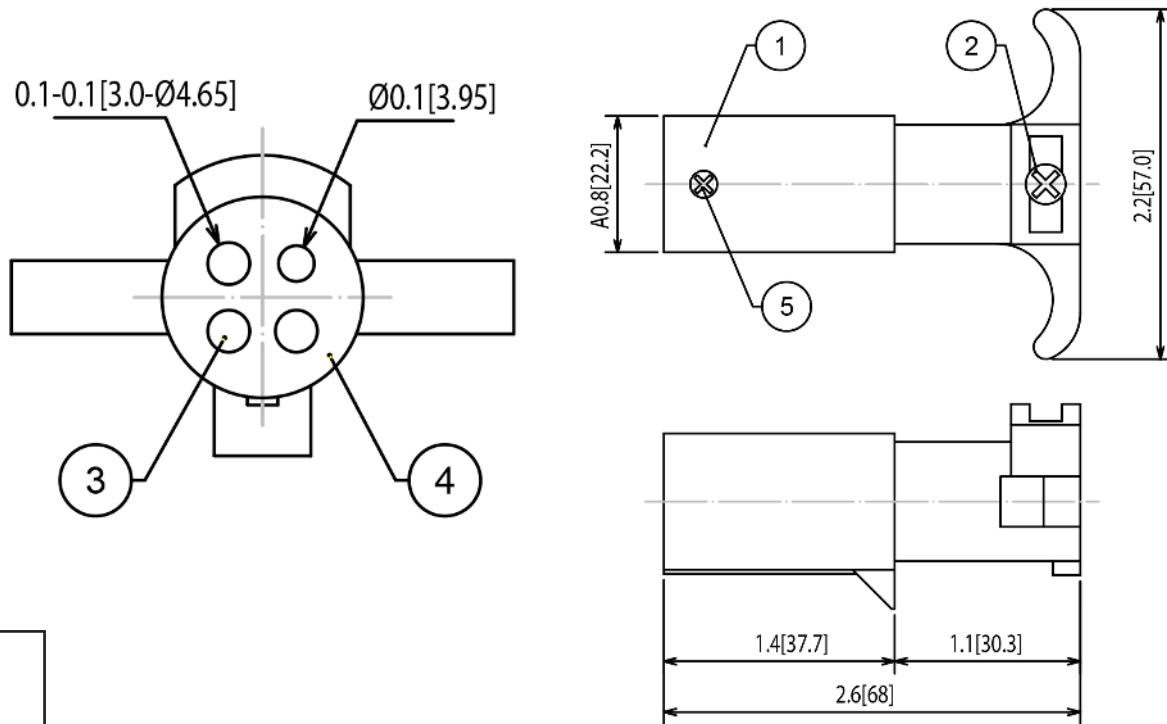


Mechanical Dimensions: Inches [mm]

Tolerances ± 0.012 [0.3] Unless Otherwise Specified



TOLERANCES:
 1mm~5mm:±0.1
 6mm~20mm:±0.2
 21mm~50mm:±0.3
 51mm~100mm:±0.5
 ANGLES:±1°

Wiring Color Codes

A.T.A & S.A.E WIRING CODES RECOMMENDED STANDARD

CIRCUITS	POLE WIRING COLOR CODE
Ground Return	White
Right Turns & Brake Lights	Green
Left Turns & Brake Lights	Yellow or Red
Tail Lights	Brown

Material Specifications

ITEM#	NAME	MATERIAL
1	PLUG SHELL	ZINC
2	SET SCREW	IRON
3	TERMINALS	BRASS
4	TERMINALS BASE	NYLON
5	BASE SET SCREW	IRON

Rev	Date of issue	Revision Notes	Designed	Approved
A	07-16-2019	Initial Drawing	RC	OH