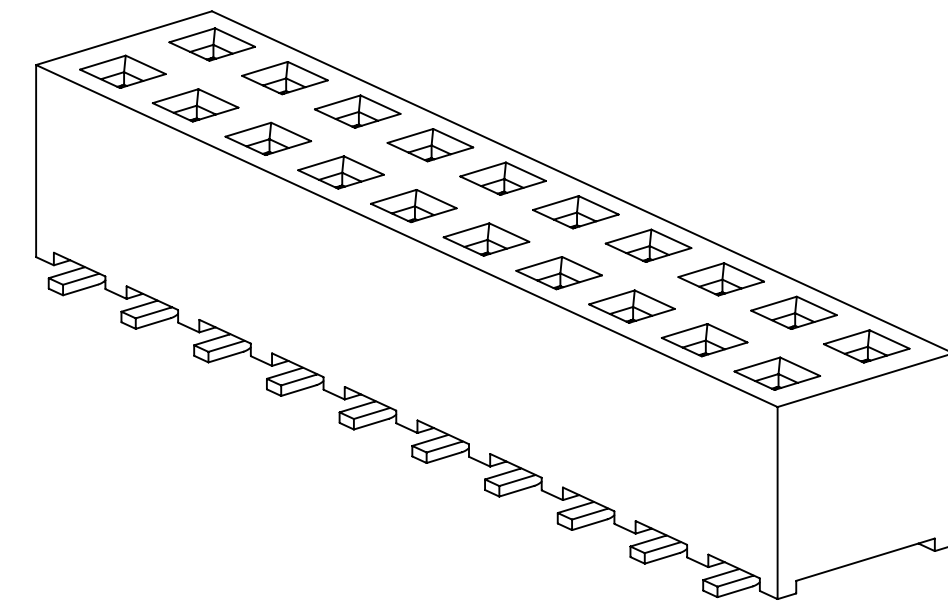


3M™ THROUGH-BOARD SOCKET, 9662 SERIES  
2.54MM X 2.54MM, LOW PROFILE SURFACE MOUNT



DUAL ROW  
SURFACE MOUNT  
VERSION

- NOTES
- MATERIAL:  
PLASTIC: HIGH TEMP LCP, UL94V-0  
CONTACT: COPPER ALLOY.
  - REGULATORY INFORMATION:  
VISIT 3M.com/regs
  - IN THE EVENT OF CONFLICT BETWEEN THIS DATA AND THAT CONTAINED IN THE PRODUCT SPECIFICATION, THE PRODUCT SPECIFICATION TAKES PRECEDENT.
  - N = THE NUMBER OF CONTACTS.
  - CONTACT YOUR 3M REPRESENTATIVE FOR AVAILABILITY OF ADDITIONAL CUSTOM POSITIONS.

**3** PHYSICAL :

INSULATOR:  
MATERIAL: HIGH TEMP THERMOPLASTIC  
FLAMMABILITY: UL94V-0  
COLOR: BLACK  
CONTACT:  
MATERIAL: COPPER ALLOY  
PLATING:  
UNDER PLATING: 1.27-2.54µm [ 50-100µ" ] NICKEL-OVERALL  
WIPING AREA: GOLD FLASH  
SOLDER TAILS: 1-3µm [ 40-118µ" ] MATTE TIN

**3** ELECTRICAL :

CURRENT RATING: 3A  
INSULATION RESISTANCE: >5 X 10<sup>8</sup> OHm AT 100V<sub>DC</sub>  
WITHSTANDING VOLTAGE: 1000V<sub>AC</sub> AT 60s

**3** MECHANICAL :

INSERTION FORCE: ≤ 3N PER PIN  
EXTRACTION FORCE: ≥ 0.3N PER PIN  
RETENTION FORCE: ≥ 7N PER PIN

**3** ENVIRONMENTAL :

TEMPERATURE RATING: -55°C TO 125°C  
PROCESSING TEMPERATURE: MAX, 260°C (PROFILE PER J-STD-020C)  
MOISTURE SENSITIVITY LEVEL: 1 (PER J-STD-020C)

**3** PACKING & STORING :

METHOD OF PACKING: TAPE AND REEL, OUTER BOX  
STORING CONDITION: TEMPERATURE OF -10°C TO 40°C  
BELOW 80% RELATIVE HUMIDITY

DIMENSIONS: MM [ INCH ]  
[ INCH ] FOR REF. ONLY

3M ELECTRONICS MATERIALS SOLUTIONS DIVISION  
INTERCONNECT SOLUTIONS  
<http://www.3M.com/interconnect>

3M IS A TRADEMARK OF 3M COMPANY.  
FOR TECHNICAL, SALES OR ORDERING  
INFORMATION CALL 800-225-5373

**us**  
UL FILE NO: E68080

B	104062	APR 21, 2022	JNC	FJR
		REVISE ORDERING INFO		
A	72044	MAR 06, 2017	JNC	TS
		REVISE ELECTRIC, MECHANICAL & ENVIRONMENTAL NOTES		
		2-2-17 REMOVED 4 CONNECTOR		
		PRODUCTION RELEASE		

DESIGN REFERENCE	NEXT ASSEMBLY	REV	ECO	ISSUE DATE AND DESCRIPTION	DRFT	CHKD
XXXXXX		DRFT	CASTIGLIONE	DATE JAN 12, 2015	MFG	DATE
		CHKD		DATE	APPRV	DATE
				DATE	T. SUNIGA	JAN 12, 2015

DIVISION	EMSD	DIVISION CODE	EMSD
DO NOT SCALE DRAWING	SCALE 6/1	TOLERANCES EXCEPT AS NOTED	
THIRD ANGLE PROJECTION	INTERPRET PER ASME Y14.5 - 2018	INCHES .00 ± .000 ± .0000 ±	MILLIMETERS 0 ± 2 .00 ± 0.20 .000 ± .005
MAX SURFACE ROUGHNESS	ALL SURFACES	INCHES	
<input checked="" type="checkbox"/> MARKED ONLY		ANGLES	

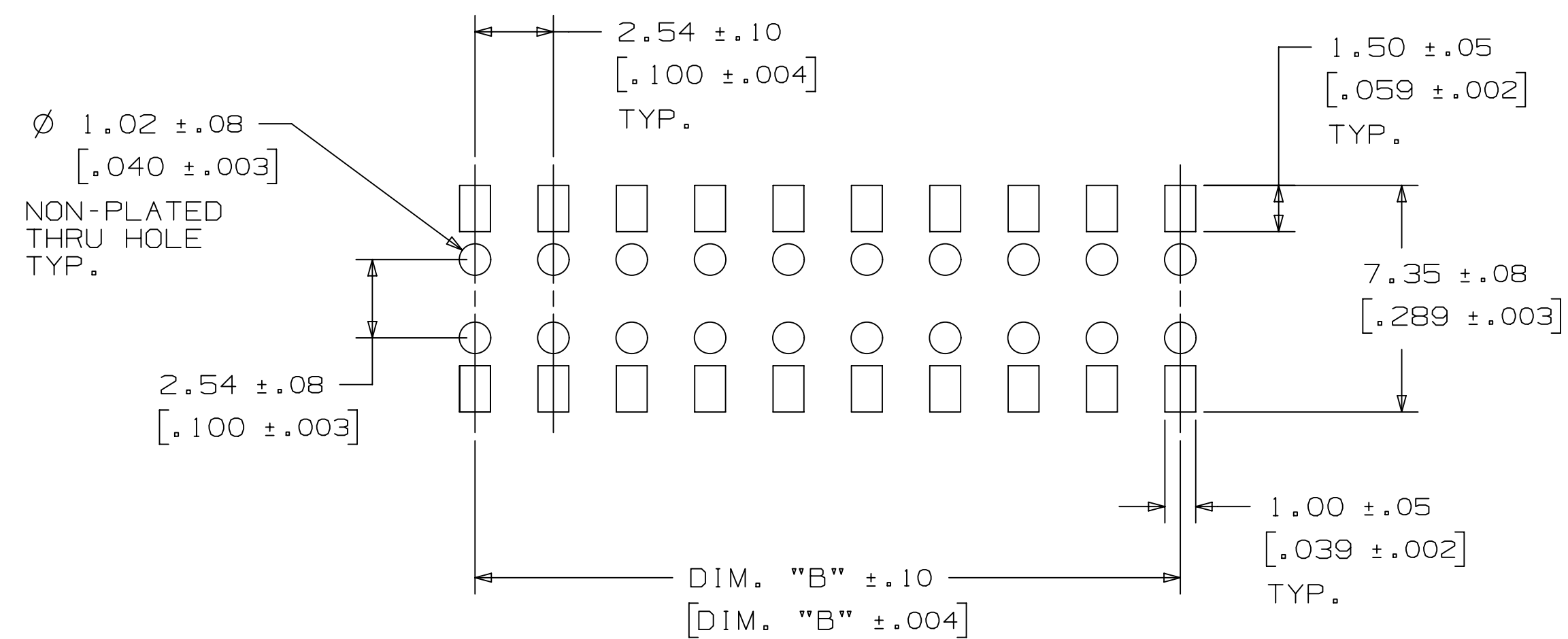
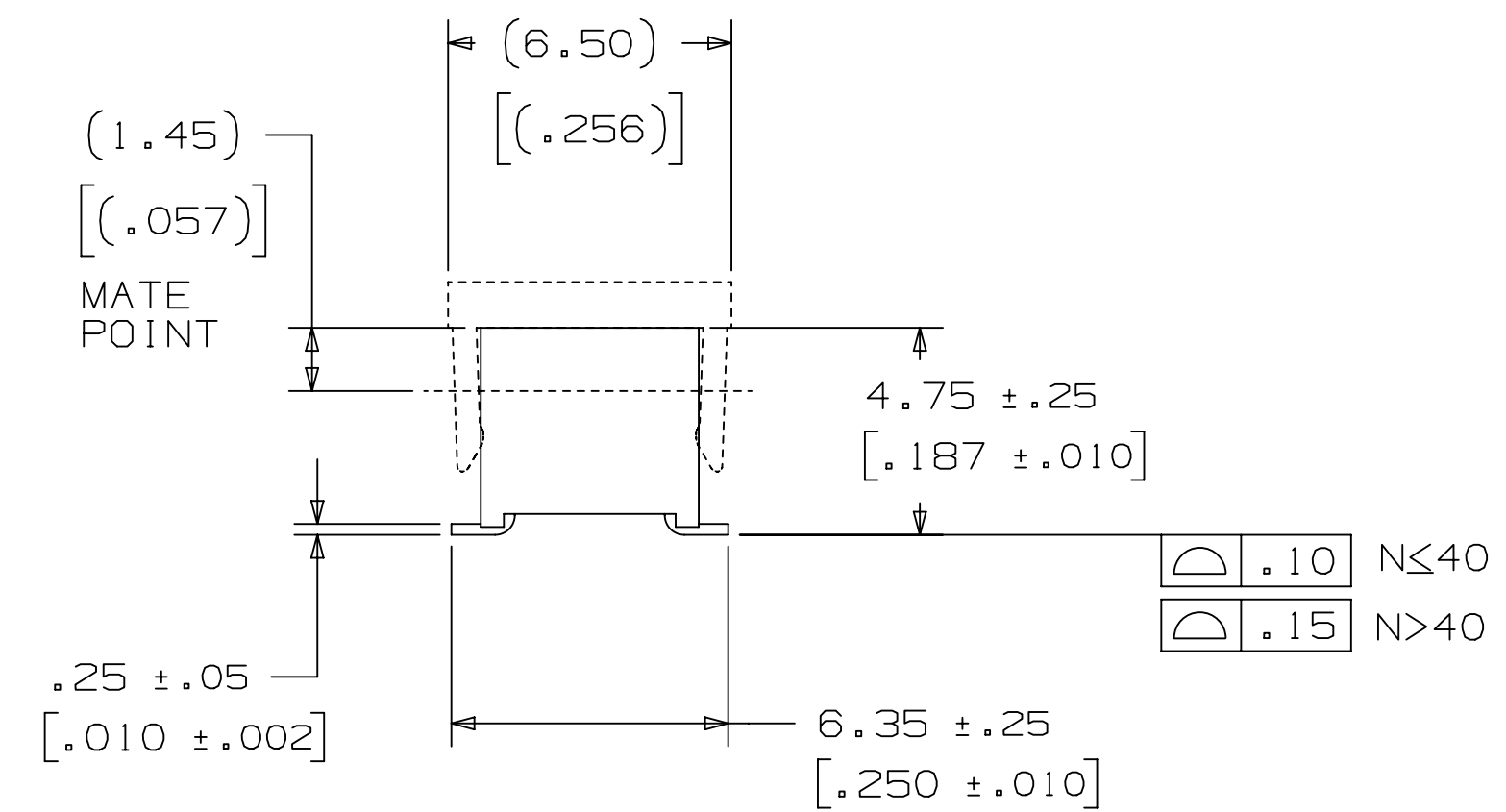
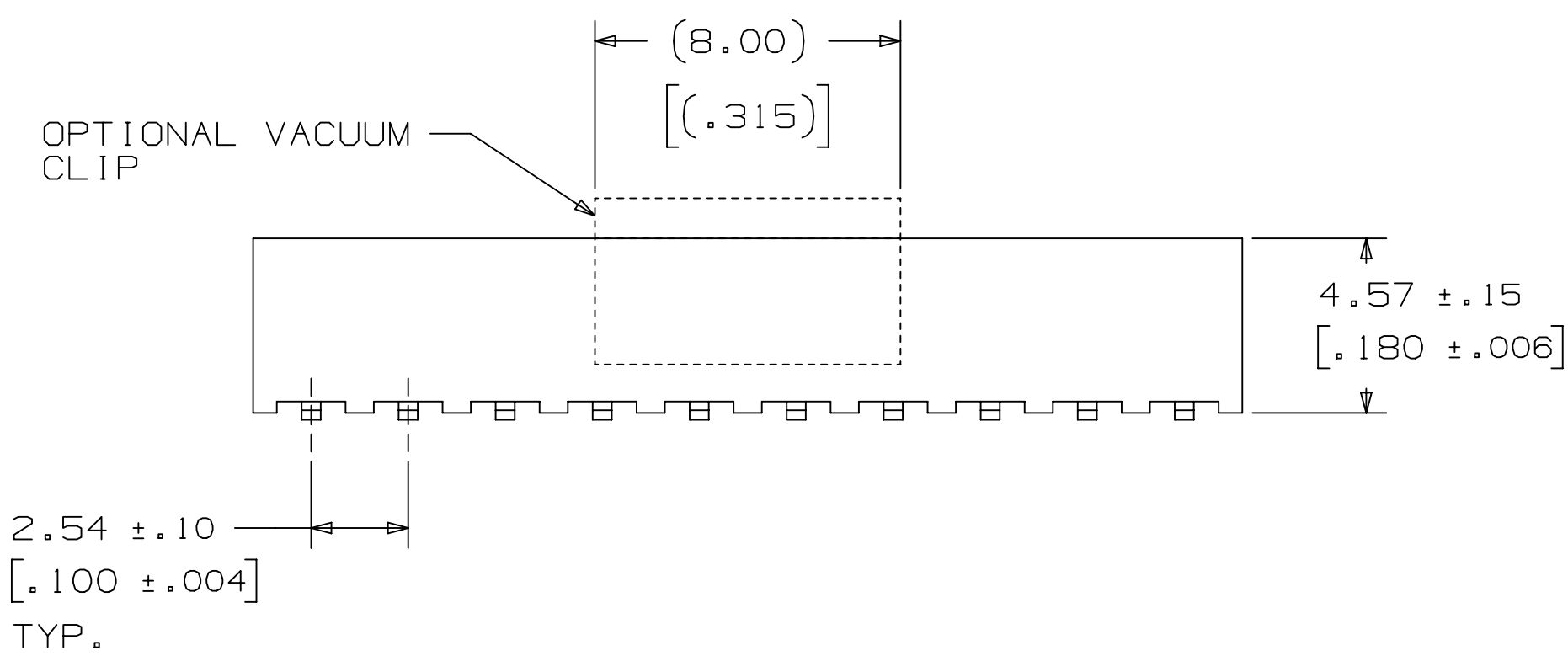
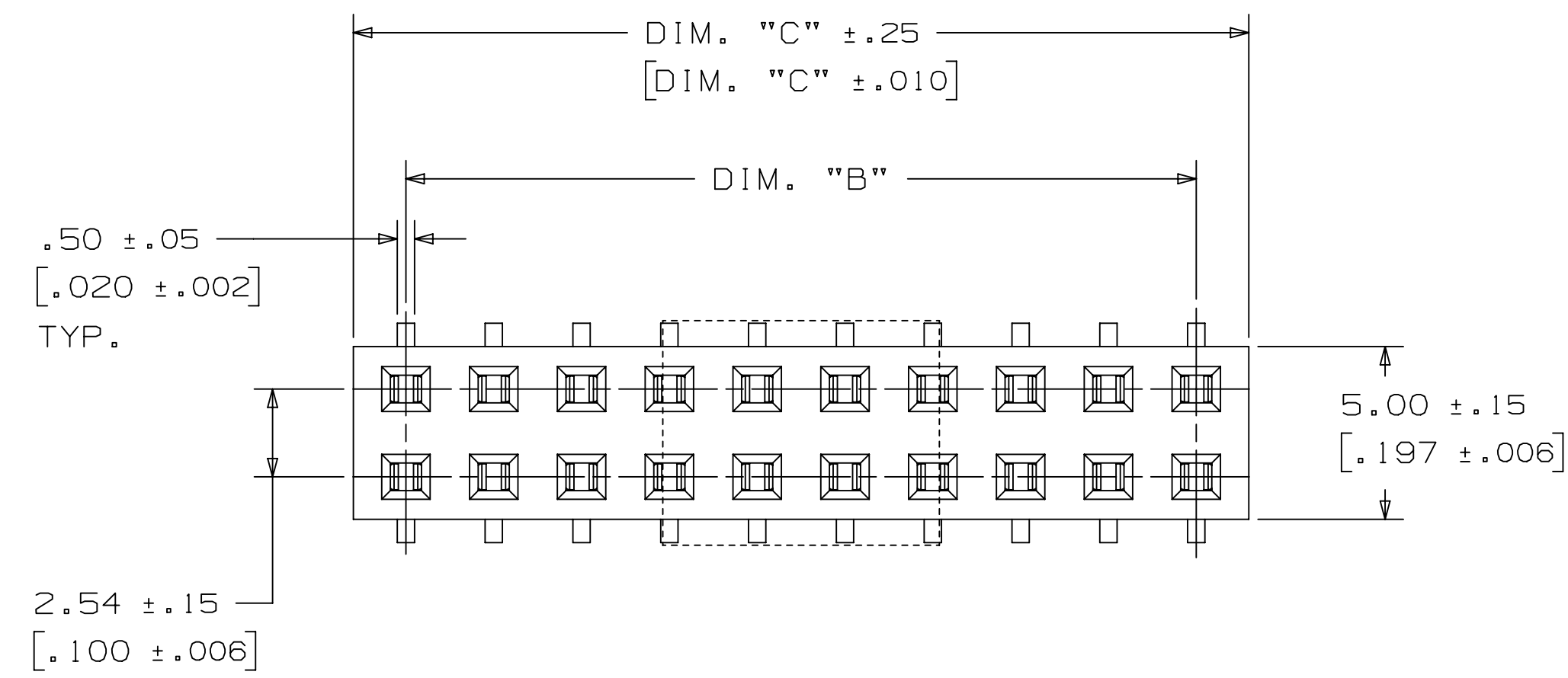
		© 3M COPYRIGHT 2022 This document and the information it contains are 3M property and may not be reproduced or further distributed without 3M permission, or used or disclosed other than for 3M authorized purposes. All rights reserved.
TITLE THRU-BOARD SKT, 2.54MM X 2.54MM, SURFACE MOUNT		
CAGE NUMBER	SIZE	DRAWING NO.
D		78-5100-2652-5
MODEL	9662	REV. B

78-5100-2652-5  
DRAWING NUMBER

A

SHT 1 OF 3

3M™ THROUGH-BOARD SOCKET, 9662 SERIES  
2.54MM X 2.54MM, LOW PROFILE SURFACE MOUNT



RECOMMENDED PC BOARD LAYOUT  
(VIEWED FROM COMPONENT SIDE)

ORDERING INFORMATION  
9662XX-2000-AR-XX

CONTACT QUANTITY:  
06-50  
(SEE NOTE 5)

PACKAGING:  
TP = TUBE WITHOUT CLIP (06 TO 50 POS)  
PT = TUBE WITH CLIP (10 TO 50 POS)  
PR = TAPE AND REEL WITH CLIP (10 TO 50 POS)  
(SEE TABLE 2)

PLATING:  
AR = 1.27µM [50µIN] MIN. NICKEL ALL OVER  
WIPING AREA: GOLD FLASH  
SOLDER TAIL AREA: 1-3µM [40-118µIN] MIN. MATTE TIN

TABLE 1

DIM. "A"	2.54 [.100] X (N/2)
DIM. "B"	2.54 [.100] X (N/2-1)
DIM. "C"	2.54 [.100] X (N/2) ±.50
SEE NOTE 4	

TABLE 2

CONTACT QTY.	06-10	12-16	18-24	26-34	36-44	46-50
TAPE WIDTH [MM]	24	32	44	56	72	88

3M ELECTRONICS MATERIALS SOLUTIONS DIVISION  
INTERCONNECT SOLUTIONS  
<http://www.3M.com/interconnect>

3M IS A TRADEMARK OF 3M COMPANY.  
FOR TECHNICAL, SALES OR ORDERING  
INFORMATION CALL 800-225-5373

DESIGN REFERENCE	NEXT ASSEMBLY	REV	ECO	ISSUE DATE AND DESCRIPTION	DRFT	CHKD
DIVISION	DIVISION CODE	DRFT CASTIGLIONE DATE JAN 12, 2015 MFG DATE CHKD DATE APPV T. SUNIGA DATE JAN 12, 2015				
DO NOT SCALE DRAWING	SCALE 6/1	TOLERANCES EXCEPT AS NOTED	INCHES .00 ± .000 ± .0000 ± MILLIMETERS 0 ±.2 .00 ±0.20 .000 ±.005 ANGLES ±			
THIRD ANGLE PROJECTION	INTERPRET PER ASME Y14.5 - 2018	MAX SURFACE ROUGHNESS	TITLE THRU-BOARD SKT, 2.54MM X 2.54MM, SURFACE MOUNT			
<input checked="" type="checkbox"/> MARKED ONLY <input type="checkbox"/> UNMARKED ONLY			CAGE NUMBER D78-5100-2652-5 MODEL 9662 DET [ ] YES [X] NO SHT 2 OF 3			

B	104062	APR 21, 2022	JNC	FJR
REVISE ORDERING INFO				
A	72044	MAR 06, 2017	JNC	TS
REVISE ELECTRIC, MECHANICAL & ENVIRONMENTAL NOTES				
2-2-17 REMOVED 4 CONNECTOR				
PRODUCTION RELEASE				

78-5100-2652-5  
DRAWING NUMBER

A

3M™ THROUGH-BOARD SOCKET, 9662 SERIES  
2.54MM X 2.54MM, LOW PROFILE SURFACE MOUNT

**Regulatory:** For regulatory information about this product, visit [3M.com/regs](http://3M.com/regs) or contact your 3M representative.

**Technical Information:** The technical information, recommendations and other statements contained in this document are based upon tests or experience that 3M believes are reliable, but the accuracy or completeness of such information is not guaranteed.

**Product Use:** Many factors beyond 3M's control and uniquely within user's control can affect the use and performance of a 3M product in a particular application. Given the variety of factors that can affect the use and performance of a 3M product, user is solely responsible for evaluating the 3M product and determining whether it is fit for a particular purpose and suitable for user's method of application.


**Warranty, Limited Remedy, and Disclaimer:** Unless an additional warranty is specifically stated on the applicable 3M product packaging or product literature, 3M warrants that each 3M product meets the applicable 3M product specification at the time 3M ships the product. 3M MAKES NO OTHER WARRANTIES OR CONDITIONS, EXPRESS OR IMPLIED, INCLUDING, BUT NOT LIMITED TO, ANY IMPLIED WARRANTY OR CONDITION OF MERCHANTABILITY OR FITNESS FOR A PARTICULAR PURPOSE OR ANY IMPLIED WARRANTY OR CONDITION ARISING OUT OF A COURSE OF DEALING, CUSTOM OR USAGE OR TRADE. If the 3M product does not conform to this warranty, then the sole and exclusive remedy is, at 3M's option, replacement of the 3M product or refund of the purchase price.

**Limitation of Liability:** Except where prohibited by law, 3M will not be liable for any loss or damage arising from the 3M product, whether direct, indirect, special, incidental or consequential, regardless of the legal theory asserted, including warranty, contract, negligence or strict liability.

3M Company  
Electronics Materials Solutions Division  
13011 McCallen Pass, Bldg. C  
Austin, TX 78753-5380  
1-800-225-5373  
[www.3M.com/interconnect](http://www.3M.com/interconnect)

3M ELECTRONICS MATERIALS SOLUTIONS DIVISION  
INTERCONNECT SOLUTIONS  
<http://www.3M.com/interconnect>

3M IS A TRADEMARK OF 3M COMPANY.  
FOR TECHNICAL, SALES OR ORDERING  
INFORMATION CALL 800-225-5373

DESIGN REFERENCE	NEXT ASSEMBLY	REV	ECO	ISSUE DATE AND DESCRIPTION	DRFT	CHKD
		OFF	CASTIGLIONE	DATE JAN 12, 2015	MFG	DATE
		CHKD		DATE	APPRV	DATE
					T. SUNIGA	JAN 12, 2015
DIVISION	DIVISION CODE	 © 3M COPYRIGHT 2022 This document and the information it contains are 3M property and may not be reproduced or further distributed without 3M permission, or used or disclosed other than for 3M authorized purposes. All rights reserved.				
DO NOT SCALE DRAWING	SCALE 2/1	TOLERANCES EXCEPT AS NOTED INCHES .0 ± .005 .00 ± .0005 .000 ± .00005 MILLIMETERS 0 ± 2 .0 ± 0.5 .00 ± 0.20 .000 ± .005 ANGLES ±				
THIRD ANGLE PROJECTION	INTERPRET PER ASME Y14.5 - 2018	TITLE THRU-BOARD SKT, 2.54MM X 2.54MM, SURFACE MOUNT				
MAX SURFACE ROUGHNESS	ALL SURFACES	CAGE NUMBER	SIZE	DRAWING NO.	REV.	
<input checked="" type="checkbox"/> MARKED ONLY		D	78-5100-2652-5	B		
		MODEL	9662	DET	<input type="checkbox"/> YES <input checked="" type="checkbox"/> NO	SHT 3 OF 3

78-5100-2652-5  
DRAWING NUMBER