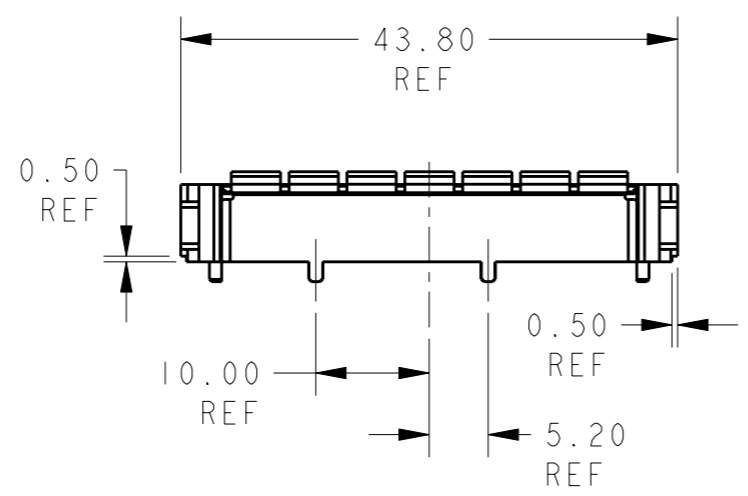
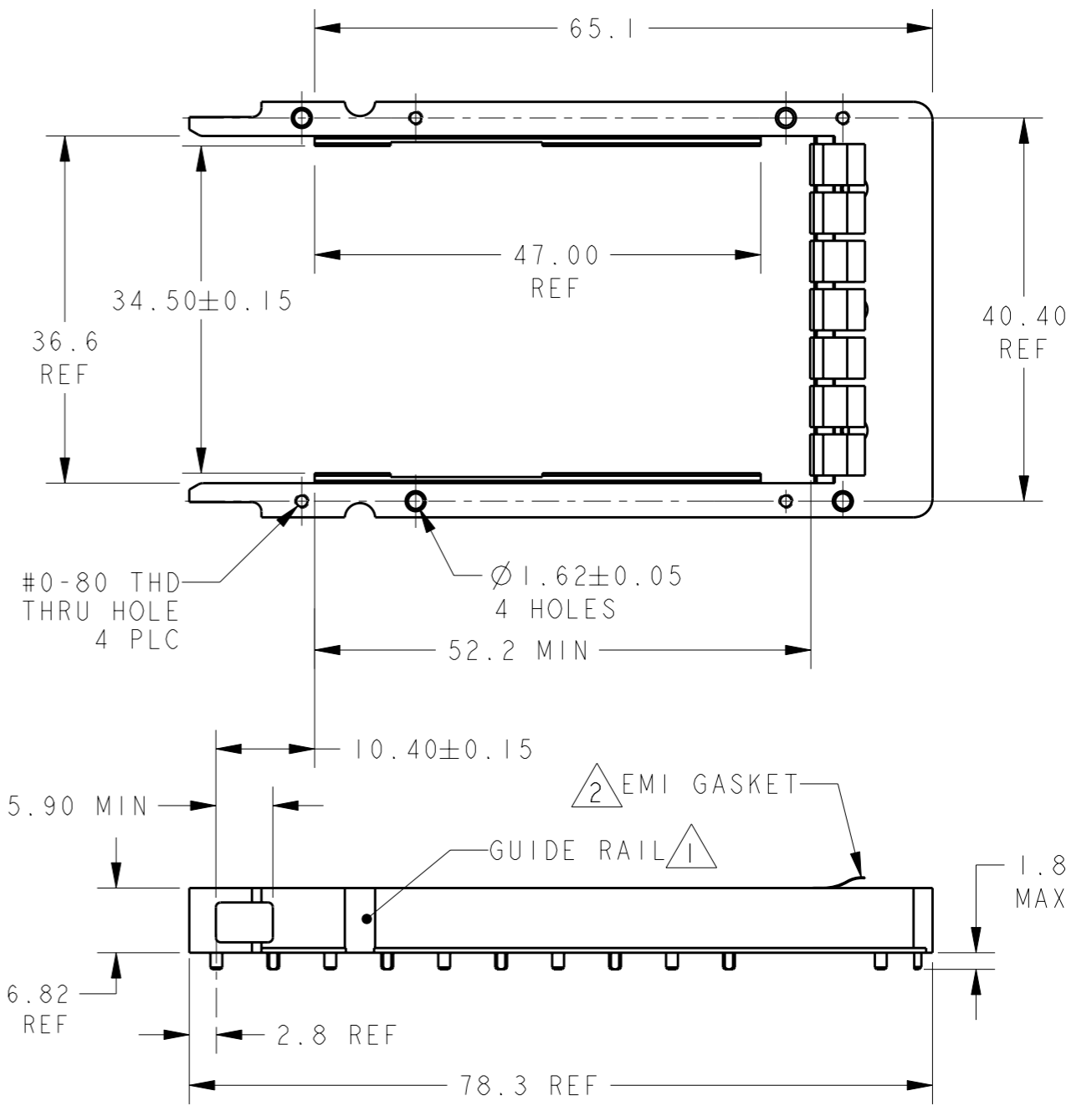
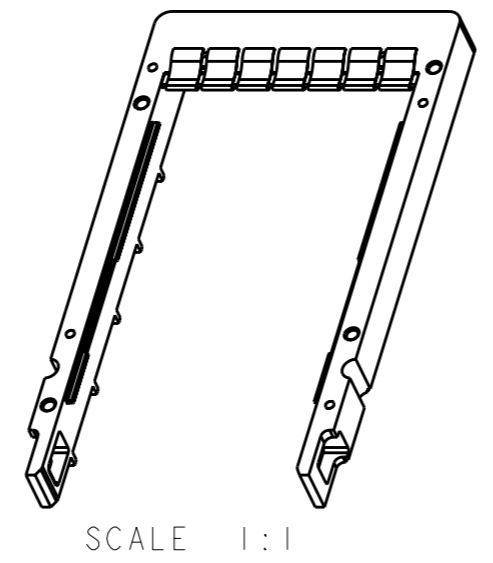


THIS DRAWING IS UNPUBLISHED. RELEASED FOR PUBLICATION 20
 © COPYRIGHT 20 BY TYCO ELECTRONICS CORPORATION. ALL RIGHTS RESERVED.

LOC	DIST	REVISIONS					
		P	LTR	DESCRIPTION	DATE	DWN	APVD
-	-		A	RELEASED PER ECO-07-007698	11APR07	BM	MS
			AI	ECR-08-019072	31JUL08	AZ	SY

- 1 GUIDE RAIL MATERIAL: ZINC
GUIDE RAIL PLATING: 1.27 μM MIN THICK NICKEL,
OVER 5.0 μM MIN THK COPPER
- 2 EMI GASKET MATERIAL: COPPER ALLOY
EMI GASKET PLATING: MATTE TIN, 2.0 μM MIN THK
- 3 DATUMS X AND Y TO BE ESTABLISHED BY CUSTOMER
- 4. DESIGN ACCEPTS MODULES THAT ARE COMPLIANT WITH X2 SPECIFICATION REV 2.0b
- 5 SEE CUSTOMER DRAWING 1367337-1 FOR CONNECTOR PAD DIMENSIONS
- 6 RECOMMENDATION FOR PCB HOLES:
A. HOLE DIA. AFTER DRILLING: 1.55 +0.02
B. HOLE DIA. AFTER TIN-LEAD PLAT: 1.45+.05
C. 25-50 MICROMETERS COPPER UNDERPLATE
D. MAXIMUM 35 MICROMETERS TIN-LEAD PLATING
- 7. 3.0 MINIMUM PCB THICKNESS FOR BELLY TO BELLY APPLICATION
- 8. BEZEL REQUIREMENTS PER X2 MSA SPECIFICATION REV 2.0b
- 9 #0-80 SOCKET HEAD CAP SCREW SUPPLIED BY CUSTOMER. 4 PLACES.
- 10 OPTIONAL HOLES FOR M3 SCREW / STANDOFFS
- 11 CROSS HATCH AREA DENOTES RAISED SURFACE, 0.5mm OFF HOST BOARD
- 12 SURFACE OF RAIL IN CONTACT WITH HOST BOARD
- 13. REFERENCE INSTRUCTION SHEET 408-10102 FOR ADDITIONAL INFORMATION.



THIS DRAWING IS A CONTROLLED DOCUMENT FOR TYCO ELECTRONICS CORPORATION IT IS SUBJECT TO CHANGE AND THE CONTROLLING ENGINEERING ORGANIZATION SHOULD BE CONTACTED FOR THE LATEST REVISION.

DIMENSIONS:	TOLERANCES UNLESS OTHERWISE SPECIFIED:
mm	0 PLC ±.5
	1 PLC ±.2
	2 PLC ±.1
	3 PLC ±.05
	4 PLC ±.
	ANGLES ±.1
MATERIAL	FINISH

DWN	D.E.STAHL	16JUN2005
CHK	E.BRIGHT	16JUN2005
APVD	E.BRIGHT	16JUN2005
PRODUCT SPEC	-	-
APPLICATION SPEC	-	-
WEIGHT	-	-

PART NUMBER		1367710-1	
tyco Electronics		Tyco Electronics Harrisburg, PA 17105-3608	
NAME X2 CAST METAL GUIDE FRAME, TYPE 2			
SIZE	CAGE CODE	DRAWING NO	RESTRICTED TO
A3	00779	1367710	-
CUSTOMER DRAWING		SCALE	SHEET 1 OF 4 REV AI
		3:2	

4

3

2

1

THIS DRAWING IS UNPUBLISHED. RELEASED FOR PUBLICATION 20
 © COPYRIGHT 20 BY TYCO ELECTRONICS CORPORATION. ALL RIGHTS RESERVED.

LOC	DIST	REVISIONS			
P	LTR	DESCRIPTION	DATE	DWN	APVD
-	-	SEE SHEET 1	-	-	-

D

D

C

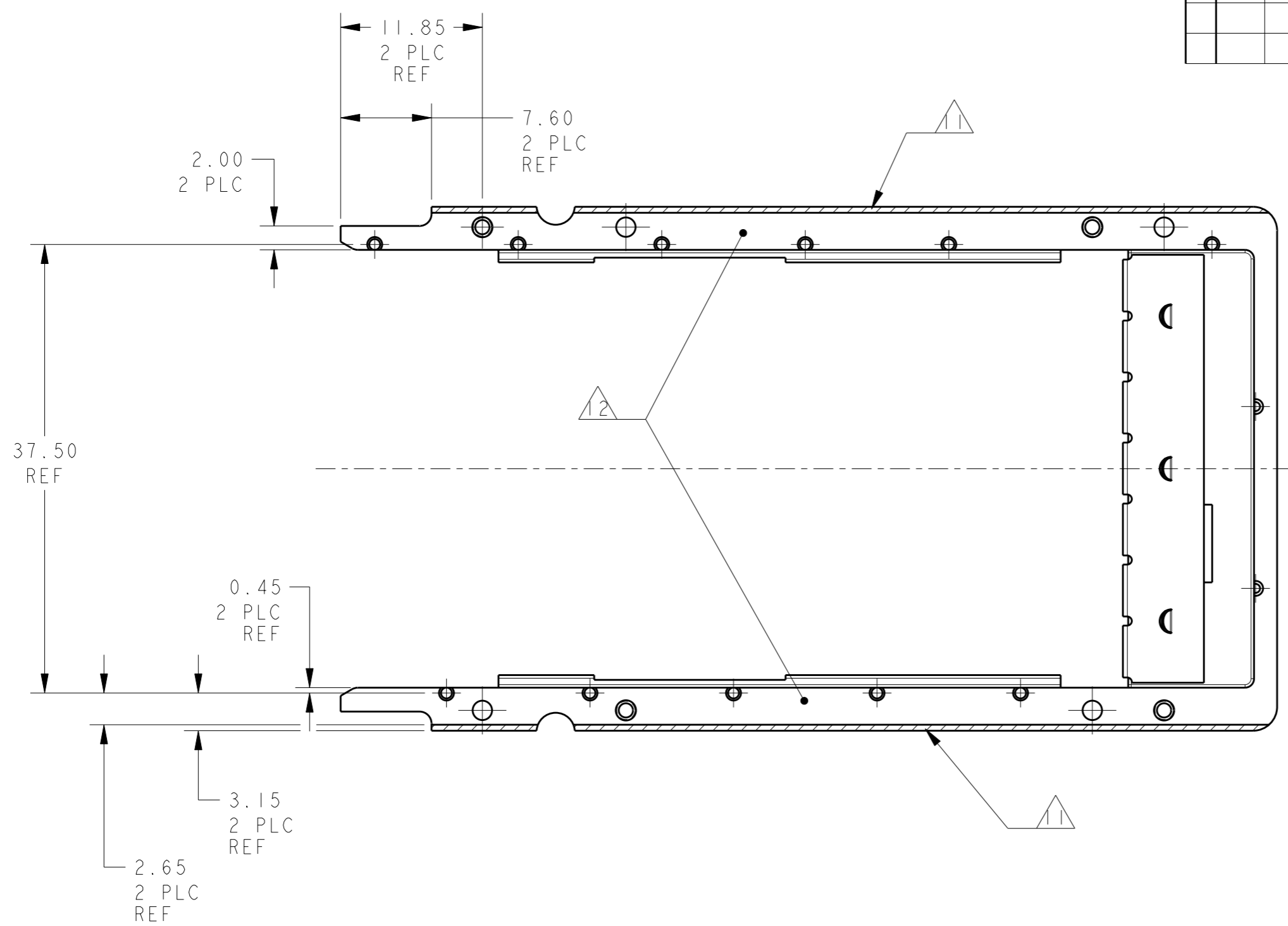
C

B

B

A

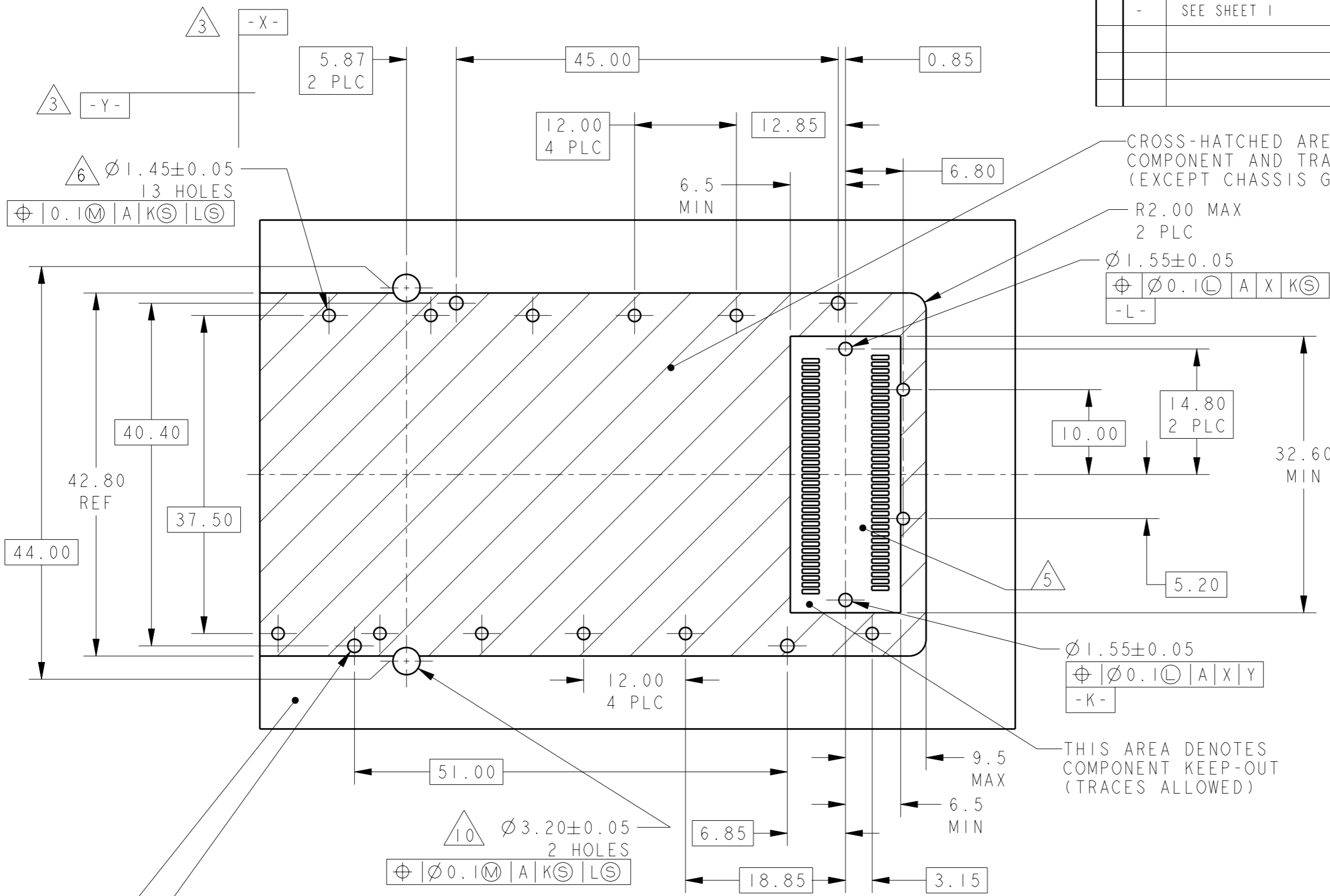
A



<small>THIS DRAWING IS A CONTROLLED DOCUMENT FOR TYCO ELECTRONICS CORPORATION IT IS SUBJECT TO CHANGE AND THE CONTROLLING ENGINEERING ORGANIZATION SHOULD BE CONTACTED FOR THE LATEST REVISION.</small>		DWN D.E. STAHL 16JUN2005 CHK E. BRIGHT 16JUN2005 APVD E. BRIGHT 16JUN2005		Tyco Electronics Harrisburg, PA 17105-3608	
DIMENSIONS: mm		TOLERANCES UNLESS OTHERWISE SPECIFIED: 0 PLC ±.5 1 PLC ±.2 2 PLC ±.1 3 PLC ±.05 4 PLC ±. ANGLES ±.1		NAME X2 CAST METAL GUIDE FRAME, TYPE 2	
		MATERIAL - FINISH -		PRODUCT SPEC - APPLICATION SPEC - WEIGHT -	
CUSTOMER DRAWING		SCALE 3:2		SHEET 2 OF 4 REV A	

THIS DRAWING IS UNPUBLISHED. RELEASED FOR PUBLICATION 20
 © COPYRIGHT 20 BY TYCO ELECTRONICS CORPORATION. ALL RIGHTS RESERVED.

LOC	DIST	P	LTR	DESCRIPTION	DATE	DWN	APVD
-	-	-	-	SEE SHEET 1	-	-	-

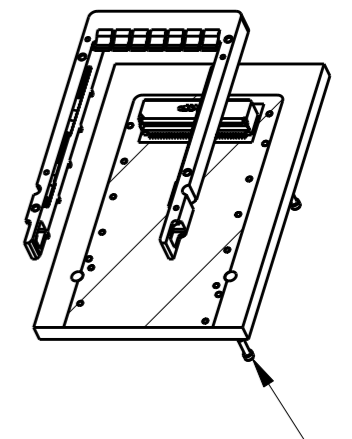


CROSS-HATCHED AREA DENOTES RECOMMENDED COMPONENT AND TRACE KEEP-OUT AREA (EXCEPT CHASSIS GROUND)

R2.00 MAX 2 PLC

Ø 1.55±0.05
 Ø 0.1(L) | A | X | K(S)
 -L-

SINGLE SIDE ASSEMBLY CONFIGURATION SCALE 2:1



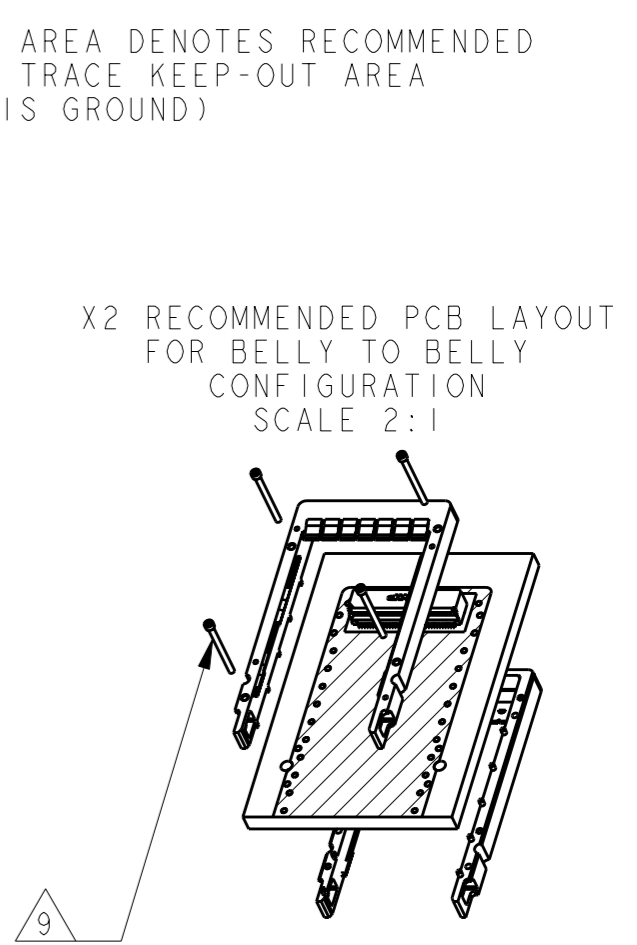
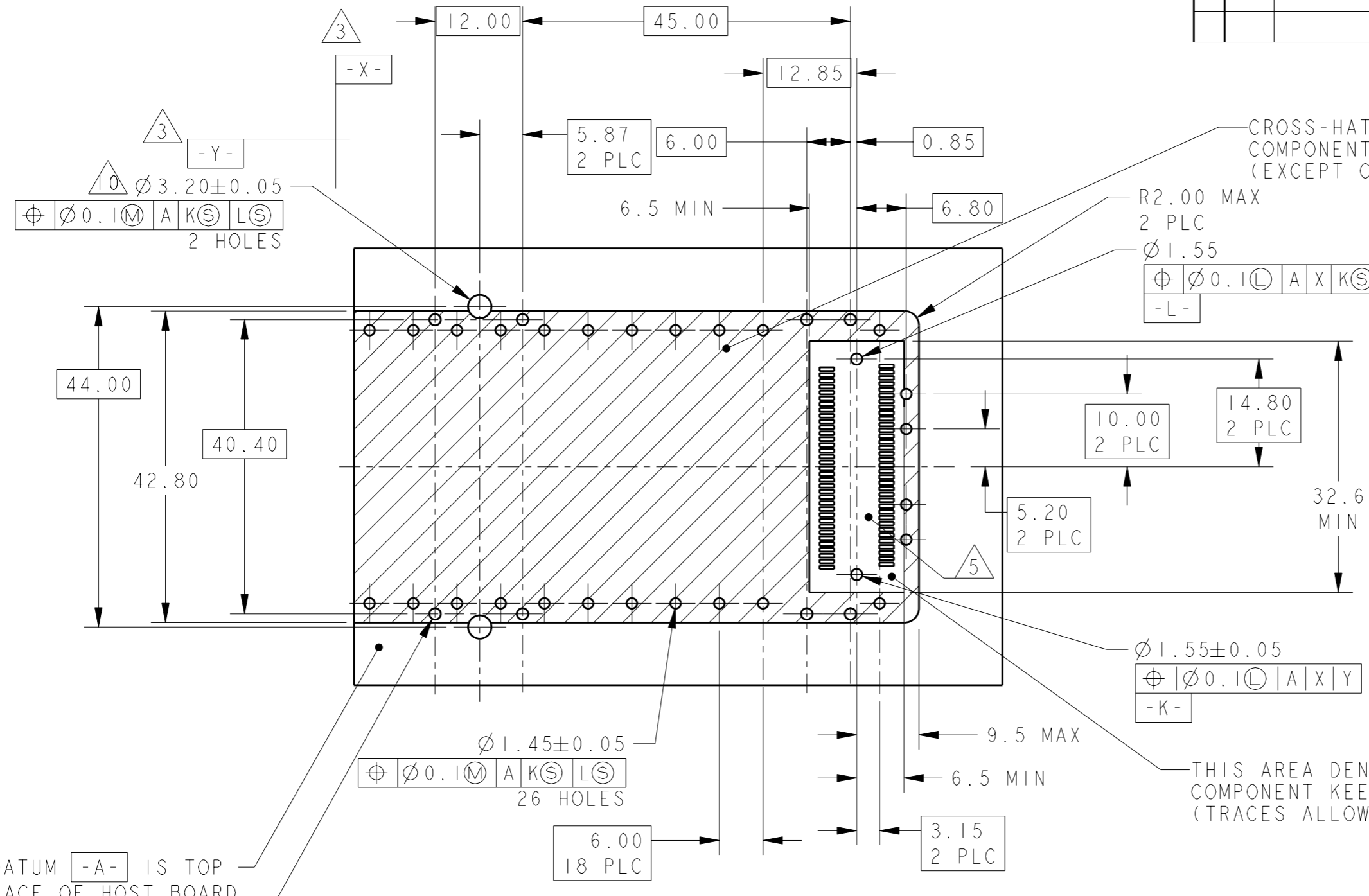
THIS AREA DENOTES COMPONENT KEEP-OUT (TRACES ALLOWED)

DATUM -A- IS TOP SURFACE OF HOST BOARD

THIS DRAWING IS A CONTROLLED DOCUMENT FOR TYCO ELECTRONICS CORPORATION IT IS SUBJECT TO CHANGE AND THE CONTROLLING ENGINEERING ORGANIZATION SHOULD BE CONTACTED FOR THE LATEST REVISION.		DWN D.E. STAHL 16JUN2005 CHK E. BRIGHT 16JUN2005 APVD E. BRIGHT 16JUN2005		tyco Electronics Tyco Electronics Harrisburg, PA 17105-3608	
DIMENSIONS: mm		TOLERANCES UNLESS OTHERWISE SPECIFIED: 0 PLC ±.5 1 PLC ±.2 2 PLC ±.1 3 PLC ±.05 4 PLC ±. ANGLES ±.1		NAME X2 CAST METAL GUIDE FRAME, TYPE 2	
MATERIAL -		FINISH -		PRODUCT SPEC - APPLICATION SPEC - WEIGHT -	
CUSTOMER DRAWING		SCALE 3:2		SIZE A3 CAGE CODE 00779 C=1367710 SHEET 3 OF 4 REV A	

THIS DRAWING IS UNPUBLISHED. RELEASED FOR PUBLICATION 20
 © COPYRIGHT 20 BY TYCO ELECTRONICS CORPORATION. ALL RIGHTS RESERVED.

LOC	DIST	P	LTR	DESCRIPTION	DATE	DWN	APVD
-	-	-	-	SEE SHEET 1	-	-	-



DATUM -A- IS TOP SURFACE OF HOST BOARD

THIS DRAWING IS A CONTROLLED DOCUMENT FOR TYCO ELECTRONICS CORPORATION IT IS SUBJECT TO CHANGE AND THE CONTROLLING ENGINEERING ORGANIZATION SHOULD BE CONTACTED FOR THE LATEST REVISION.

DIMENSIONS: mm	TOLERANCES UNLESS OTHERWISE SPECIFIED: 0 PLC ±.5 1 PLC ±.2 2 PLC ±.1 3 PLC ±.05 4 PLC ±. ANGLES ±.1
MATERIAL	FINISH

DWN	D.E. STAHL	16JUN2005
CHK	E. BRIGHT	16JUN2005
APVD	E. BRIGHT	16JUN2005
PRODUCT SPEC	-	
APPLICATION SPEC	-	
WEIGHT	-	
CUSTOMER DRAWING		

tyco Electronics		Tyco Electronics Harrisburg, PA 17105-3608	
NAME X2 CAST METAL GUIDE FRAME, TYPE 2			
SIZE	CAGE CODE	DRAWING NO	RESTRICTED TO
A3	00779	C-1367710	-
SCALE 3:2		SHEET 4 OF 4	REV A