

53248-1 ✓ ACTIVE

PLASTI-GRIP

TE Internal #: 53248-1

Ring Terminals & Spade Terminals, Spring Spade, 12 – 10 AWG

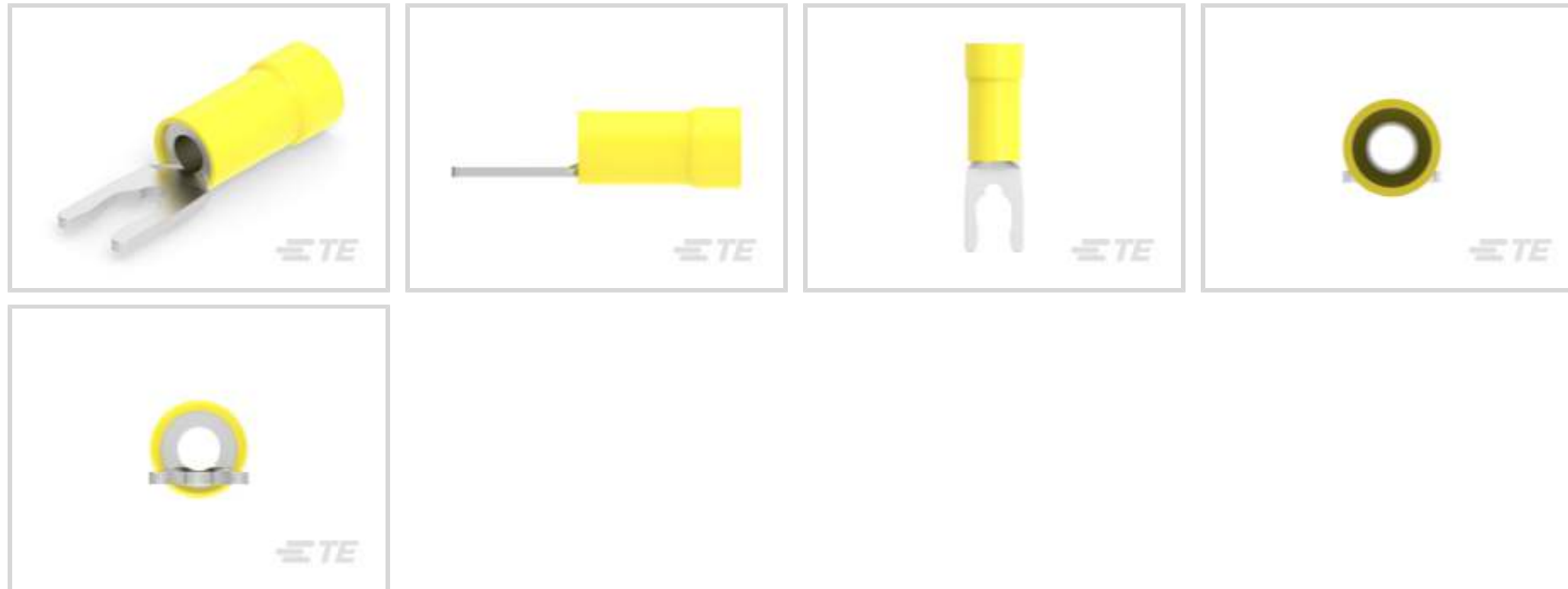
Wire Size, 3 – 6 mm² Wire Size, 5180 – 13100 CMA Wire Size, Stud

Size #10, PLASTI-GRIP

[View on TE.com >](#)



Terminals & Splices > Ring Terminals & Spade Terminals



Ring & Spade Terminal Type: **Spring Spade**

Wire Size: **5180 – 13100 CMA**

Stud Size: **#10**

Features

Product Type Features

Stud Size	#10
Sealable	No
Wire Insulation Support Retention Type	Insulation Support

Electrical Characteristics

Voltage Rating	600 V
----------------	-------

Body Features

Insulation Sleeve Color	Yellow
Stripe Color	Yellow

Contact Features

Ring & Spade Terminal Type	Spring Spade
Barrel Type	Closed
Terminal Orientation	Straight
Terminal Plating Material	Tin

Mechanical Attachment

Wire Insulation Support	With
-------------------------	------



Dimensions

Wire Size	5180 – 13100 CMA
Stud Diameter	4.82 mm[.19 in]
Tongue Thickness	1.02 mm[.04 in]
Product Length	27.94 mm[1.1 in]
Compatible Insulation Diameter (Max)	6.35 mm[.25 in]
Compatible Insulation Diameter Range	3.81 – 6.35 mm[.15 – .25 in]

Usage Conditions

Insulation Option	Partially Insulated
Operating Temperature Range	105 °C[221 °F]

Operation/Application

Compatible With Wire Base Material	Copper
Compatible With Wire Plating Material	Tin

Industry Standards

Government Qualified Terminal	No
-------------------------------	----

Packaging Features

Packaging Quantity	500
Packaging Method	Loose Piece

Product Compliance

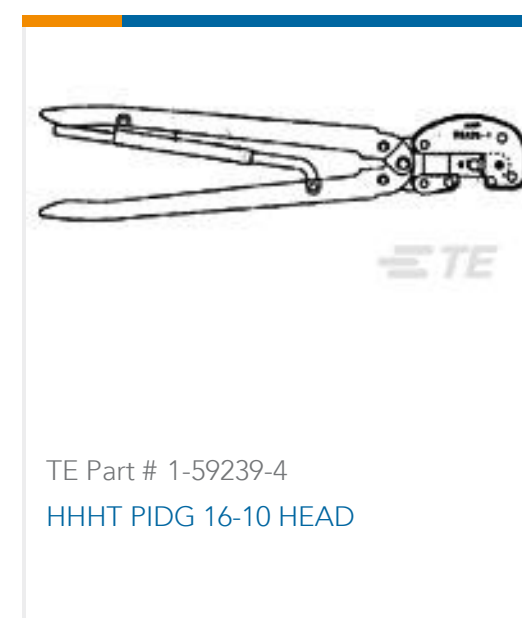
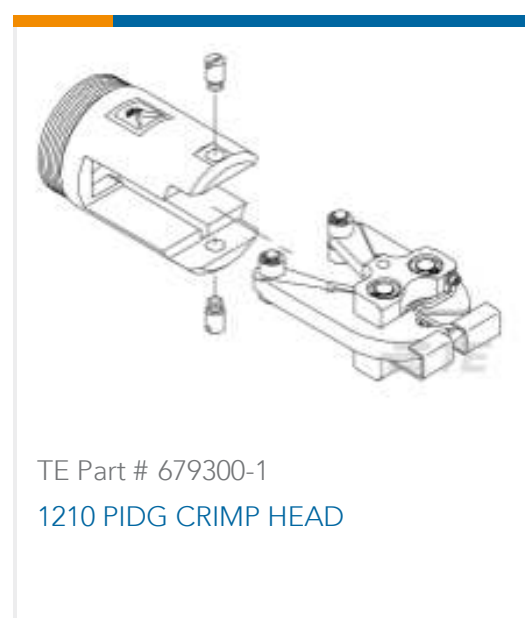
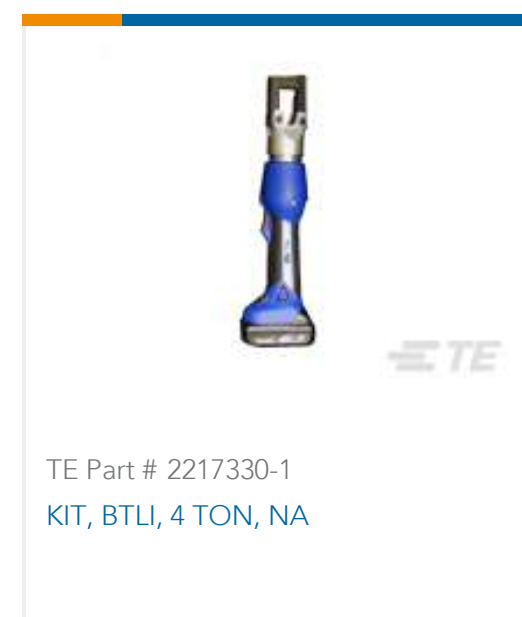
[For compliance documentation, visit the product page on TE.com>](#)

EU RoHS Directive 2011/65/EU	Compliant
EU ELV Directive 2000/53/EC	Compliant
China RoHS 2 Directive MIIT Order No 32, 2016	No Restricted Materials Above Threshold
EU REACH Regulation (EC) No. 1907/2006	Current ECHA Candidate List: JUNE 2023 (235) Candidate List Declared Against: JUNE 2023 (235) Does not contain REACH SVHC
Halogen Content	Not Low Halogen - contains Br or Cl > 900 ppm.
Solder Process Capability	Not applicable for solder process capability

Product Compliance Disclaimer

This information is provided based on reasonable inquiry of our suppliers and represents our current actual knowledge based on the information they provided. This information is subject to change. The part numbers that TE has identified as EU RoHS compliant have a maximum concentration of 0.1% by weight in homogenous materials for lead, hexavalent chromium, mercury, PBB, PBDE, DBP, BBP, DEHP, DIBP, and 0.01% for cadmium, or qualify for an exemption to these limits as defined in the Annexes of Directive 2011/65/EU (RoHS2). Finished electrical and electronic equipment products will be CE marked as required by Directive 2011/65/EU. Components may not be CE marked. Additionally, the part numbers that TE has identified as EU ELV compliant have a maximum concentration of 0.1% by weight in homogenous materials for lead, hexavalent chromium, and mercury, and 0.01% for cadmium, or qualify for an exemption to these limits as defined in the Annexes of Directive 2000/53/EC (ELV). Regarding the REACH Regulation, the information TE provides on SVHC in articles for this part number is based on the latest European Chemicals Agency (ECHA) 'Guidance on requirements for substances in articles' posted at this URL: <https://echa.europa.eu/guidance-documents/guidance-on-reach>

Compatible Parts



Also in the Series | PLASTI-GRIP



Compression Connectors(3)



Crimp Wire Pins, Tabs & Ferrules(25)



Ring Terminals & Spade Terminals(534)

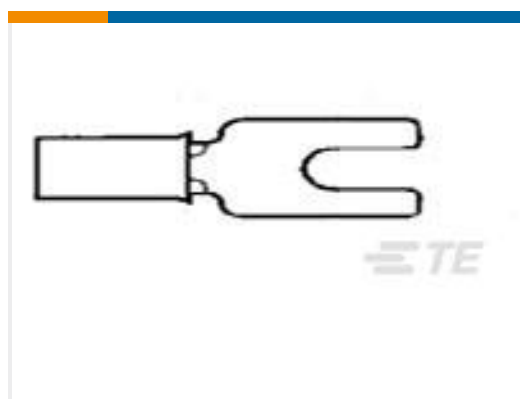


Splices(49)

Customers Also Bought



TE Part #2-2308341-2
FULL METAL HOODS SIZE 2-12 (RAW
135 DEG)



TE Part #54367-2
TERMINAL,PG SPD 16-14 6



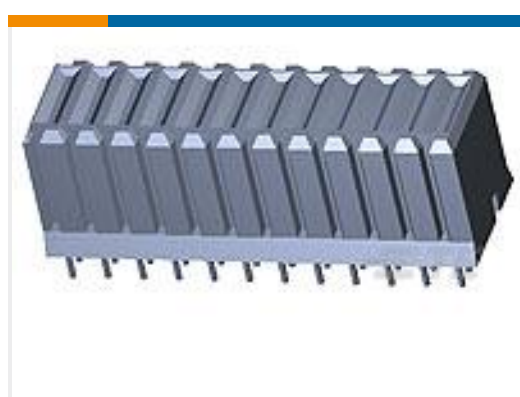
TE Part #8-34176-1
TERMINAL,PG SPD 12-10 10



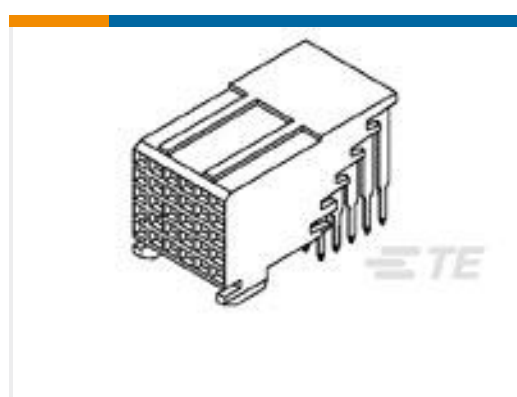
TE Part #1-102160-2
064 UNIV HDR RA 4S 30DP STD



TE Part #2309412-4
DDR4 SODIMM 260P 8.0H RVS



TE Part #120953-4
UPM EXPANDED RCPT ASSEMBLY



TE Part #5223008-4
FB-5R,ASY,120,SIG,REC,EN,3.55



TE Part #5053394065
RNF-100-2-BK-SP



TE Part #60641-1
250 FASTON FLAG REC 18-12 AWG
BR

Documents

Product Drawings

TERMINAL,PG SPR SPD 12-10 10

English

CAD Files

3D PDF

3D



Customer View Model

[ENG_CVM_CVM_53248-1_G.2d_dxf.zip](#)

English

Customer View Model

[ENG_CVM_CVM_53248-1_G.3d_igs.zip](#)

English

Customer View Model

[ENG_CVM_CVM_53248-1_G.3d_stp.zip](#)

English

3D PDF

English

Customer View Model

[ENG_CVM_53248-1_F.2d_dxf.zip](#)

English

Customer View Model

[ENG_CVM_53248-1_F.3d_igs.zip](#)

English

Customer View Model

[ENG_CVM_53248-1_F.3d_stp.zip](#)

English

By downloading the CAD file I accept and agree to the [Terms and Conditions](#) of use.

Product Specifications

[Application Specification](#)

English

Agency Approvals

[UL Report](#)

English

[UL Report](#)

English