

WG48 — ① — ② — ③ — ④ — ⑤ — ⑥ — ⑦

SWITCH FUNCTION CODE	SWITCH FUNCTION DESCRIPTION
1	MOMENTARY, SOLDER TERMINAL
A	MOMENTARY, WIRELEADS

HOUSING TYPE CODE	BEZEL TYPE DESCRIPTION
RMB	ROUND, METAL HOUSING, MATTE BLACK
RMS	ROUND, METAL HOUSING, VELOUR CHROME
RMC	ROUND, METAL HOUSING, BRIGHT CHROME

LED COLOR CODE	LED COLOR
N	NONE
G	GREEN
R	RED
B	BLUE
W	WHITE
Y	YELLOW
A	AMBER
RB	RED/BLUE
RG	RED/GREEN

BUTTON COLOR CODE (SEE NOTE)	BUTTON COLOR
(H)RD	RED
(H)GR	GREEN
(H)BK	BLACK
(H)BL	BLUE
(H)YL	YELLOW
(H)OR	ORANGE
(H)WH	WHITE
PK	POWER/STANDBY BLACK

MOUNTING TYPE CODE	MOUNTING TYPE
B	BUSHING

LED INLET VOLTAGE CODE (SEE LED SPECIFICATION)		LED INLET VOLTAGE
NON-WIRELEADS	IF BLANK	(SEE LED SPECIFICATION TABLE)
	05	5V (SEE NOTE 3)
WIRELEADS	IF BLANK	(SEE LED SPECIFICATION TABLE)
	05	5V (SEE NOTE 3)
	12	12V
	24	24V

SLEEVE CODE	SLEEVE LENGTH
IF BLANK	STANDARD
D	SHORT

MECHANICAL CHARACTERISTICS:

SWITCH CIRCUITRY: SPST-NO-DB
 SWITCH ACTION: MOMENTARY
 BUTTON TRAVEL: 2.3mm [.09] NOMINAL
 OPERATING FORCE: 306g [3N] NOMINAL
 PANEL THICKNESS: 0.5 - 3.0mm [.02 - .12]
 CONTACTS: SILVER
 LIFE(MECHANICAL): 1,000K CYCLES
 NUT TORQUE FORCE: MAX 6 kgf*cm [5.2 LB*in]

ENVIRONMENTAL SPECIFICATIONS:

ACTUATOR INGRESS PROTECTION: IP67
 OPERATING TEMPERATURE:
 MOMENTARY: -40°C to +85°C [-40°F to +185°F]

ELECTRICAL SPECIFICATIONS:

CURRENT RATINGS: 2A@24VDC, 40K CYCLES NOMINAL
 DIELECTRIC STRENGTH: 1,000VAC
 INSULATION RESISTANCE: 1G OHM
 CONTACT RESISTANCE:
 50m OHMS MAX INITIAL(NON-WIRELEADS)
 250m OHMS MAX INITIAL(WIRELEADS)

LED SPECIFICATIONS:

CURRENT LIMITING RESISTOR IS REQUIRED TO LIMIT LED FORWARD CURRENT TO 20mA.
 LED CHARACTERISTICS SEE LED SPECIFICATION TABLE

NOTE:

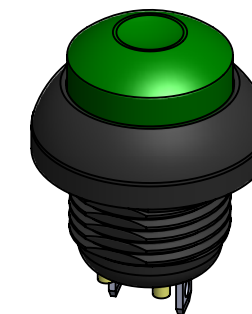
- SUPPLY HEX NET AND SEALING WASHER BULK IN PACKED
- HIGH-BUTTON OPTION, DENOTED (H):
 ONLY AVAILABLE FOR ROUND BEZEL AND NON-ILL. TYPE
 OMIT (H) FOR STANDARD BUTTON
- INNER RESISTOR ONLY FOR LED: RED / BLUE / GREEN / WHITE

LED SPECIFICATION					
LED CODE	LED SINGLE COLOR	Vf(VDC)	If	CIRCUITRY	
		TYP.	(mA)		
R	RED	2.0	20		
A	AMBER	2.0	20		
Y	YELLOW	2.0	20		
G	GREEN	3.0	20		
B	BLUE	3.1	20		
W	WHITE	3.3	20		
LED CODE	BICOLOR LED		Vf(VDC)		If
	COLOR 1	COLOR 2	TYP.	(mA)	
RB	RED	BLUE	2.0 (RED) 3.3 (BLUE)	20	
RG	RED	GREEN	2.0 (RED) 3.4 (GREEN)	20	

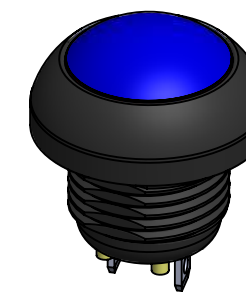
Notes:
 1.) Hand Soldering Temperature (4mm above from Body) : 320°C for 3 seconds

WIRELEADS SPECIFICATION					
WIRELEADS TYPE	WIRELEADS SPECIFICATION	SW TERMINAL		LED COLOR 1	
		/	O	+	-
ILLUMINATION	AWG26 / UL1007	BLUE	BLUE	RED	BLACK
NON-ILLUMINATION		BLUE	BLUE	--	--

HIGH BUTTON TYPE



BUSHING TYPE



SEALING WASHER
 T=0.7
 (SUPPLIED IN BULK)



SPECIAL HEX NUT
 HEX 14.0, M12*P1.0
 T=2.0
 (SUPPLIED IN BULK)

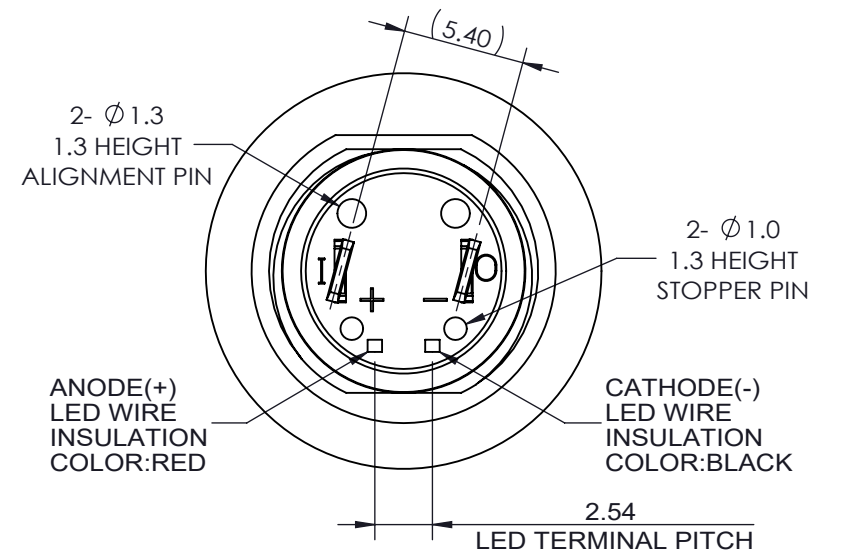
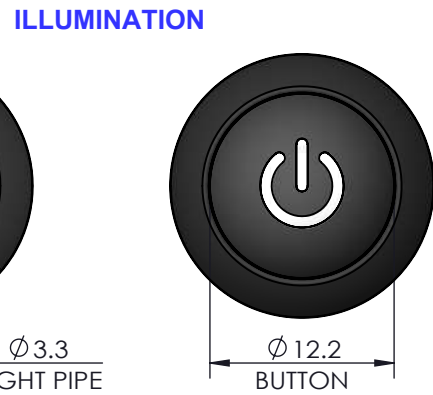
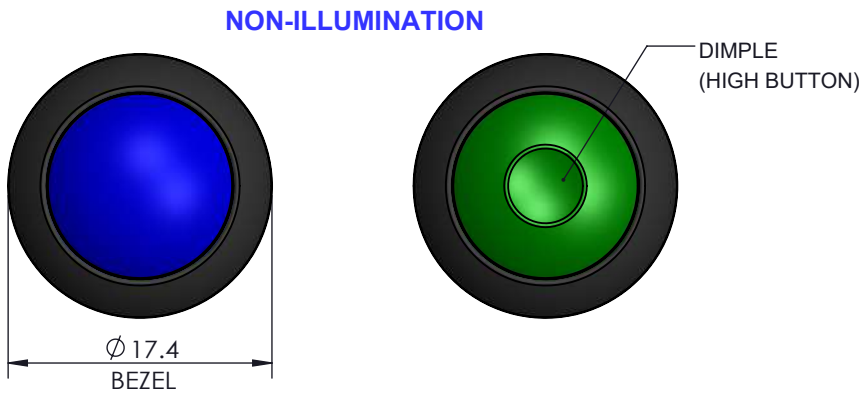
DWG TYPE SALES DRAWING	DRAWN e.e.	TOLERANCES: UNLESS OTHERWISE NOTED X.X ± 0.5 X.XX ± 0.2 ANGULAR ± 1°	DWG TITLE WG48-MECHANICAL MOMENTARY, METAL HOUSING, NONE/CENTER SPOT/POWER STANDBY SYMBOL ILLUMINATION	
STATUS RELEASE	REVIEW --		DWG NO. WG48-1,A-RMX	
<small>This document is the intellectual property of ITW Electronic Business Asia Co., Limited and may contain confidential, proprietary, privileged information protected by law. Neither this document nor any information it contains can be reproduced, transformed to any other format, or distributed, without written permission by ITW Electronic Business Asia Co., Limited. 本文件為安達維亞電器有限公司之智慧財產，非經許可不得翻取、複製、轉變成其他形式使用或散佈。</small>		APPROVED v.w.	THIRD ANGLE PROJECTION 	
DATE 2018.04.23	REF: S48-1, 2, 5, 6, A, B	<input checked="" type="checkbox"/> 管制文件 <input type="checkbox"/> 非管制文件	Unit mm	SCALE 2 : 1



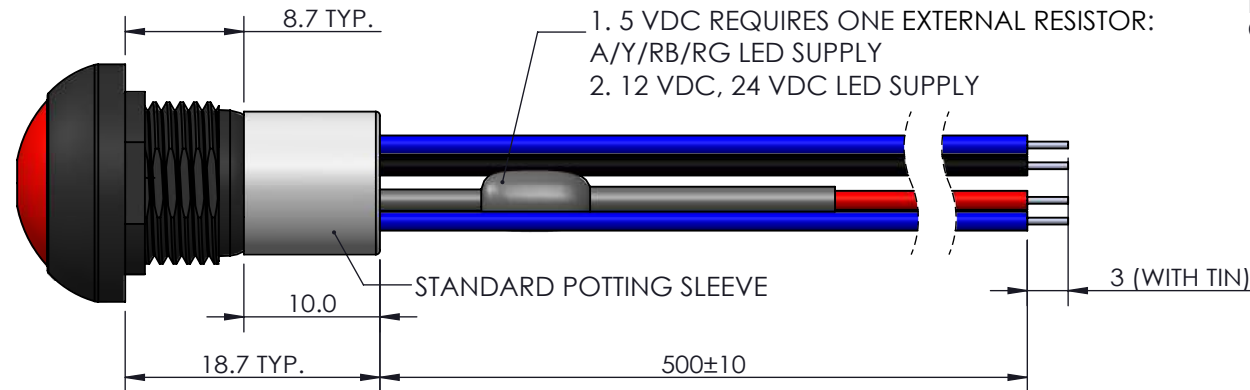
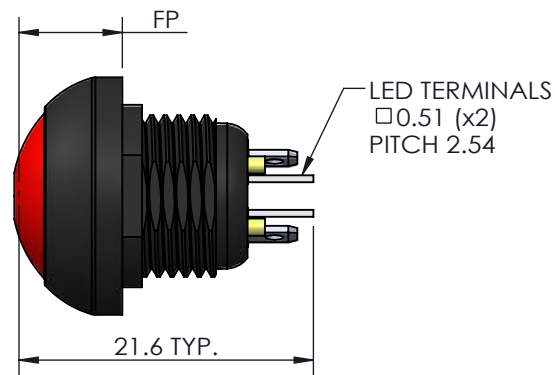
RoHS Compliant SHEET 1 OF 3

8 7 6 5 4 3 2 1

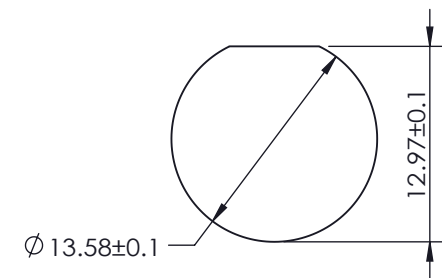
F



CURRENT LIMIT RESISTOR ONLY FOR:
 1. 5 VDC REQUIRES ONE EXTERNAL RESISTOR:
 A/Y/RB/RG LED SUPPLY
 2. 12 VDC, 24 VDC LED SUPPLY

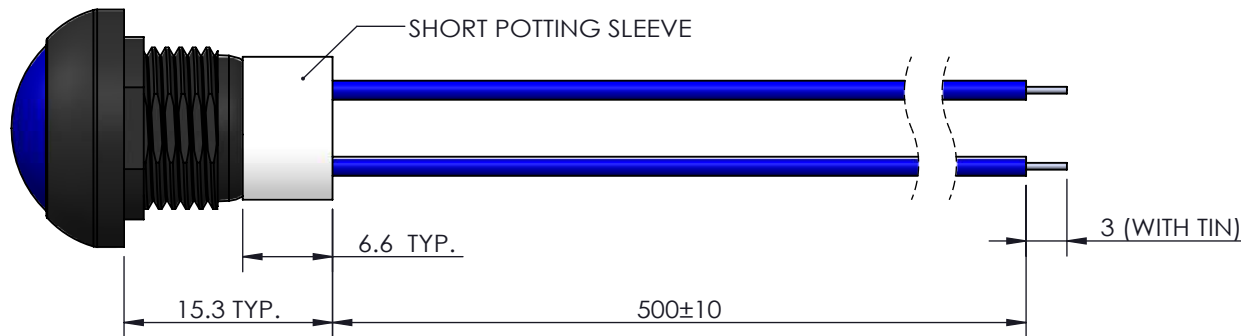
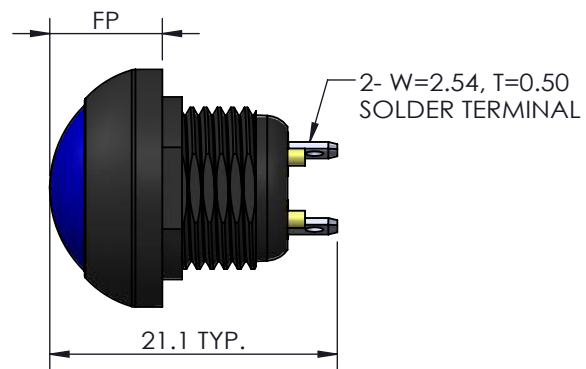


DETAIL FOR TERMINAL POSITION



RECOMMENDED PANEL CUT-OUT

PANEL THICKNESS: 0.5 TO 3mm



D

D

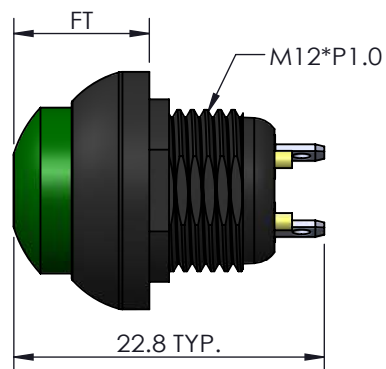
C

C

B

B

NON-ILLUMINATION & HIGH BUTTON TYPE



SWITCH ACTION	BUTTON TYPE	FP (mm)
MOMENTARY	NON-ILLUMINATION	8.0±0.5
	ILLUMINATION LIGHT PIPE BUTTON	7.6±0.5
	NON-ILLUMINATION HIGH BUTTON	9.9±0.5

A

A

DWG TYPE SALES DRAWING	DRAWN e.e.	TOLERANCES: UNLESS OTHERWISE NOTED X.X ± 0.5 X.XX ± 0.2 ANGULAR ±1°	DWG TITLE WG48-MECHANICAL MOMENTARY, METAL HOUSING, NONE/CENTER SPOT/POWER STANDBY SYMBOL ILLUMINATION							
STATUS RELEASE	REVIEW --	THIRD ANGLE PROJECTION 	DWG NO. WG48-1,A-RMX							
<small>This document is the intellectual property of ITW Electronic Business Asia Co., Limited and may contain confidential, proprietary, privileged information protected by law. Neither this document nor any information it contains can be reproduced, transformed to any other format, or distributed, without written permission by ITW Electronic Business Asia Co., Limited. 本文件為安達亞電器股份有限公司之智慧財產，非經許可不得翻取、複製、轉變成其他形式使用或散佈。</small>			DATE 2018.04.23	REF: S48-1, 2, 5, 6, A, B	<input checked="" type="checkbox"/> 管制文件 <input type="checkbox"/> 非管制文件	Unit mm	SCALE 2 : 1	REV 3	RoHS Compliant	SHEET 2 OF 3

8 7 6 5 4 3 2 1