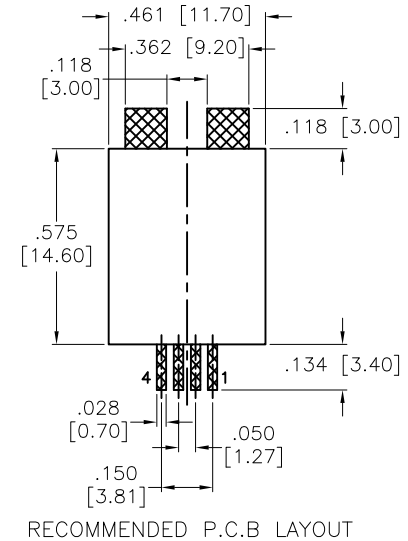
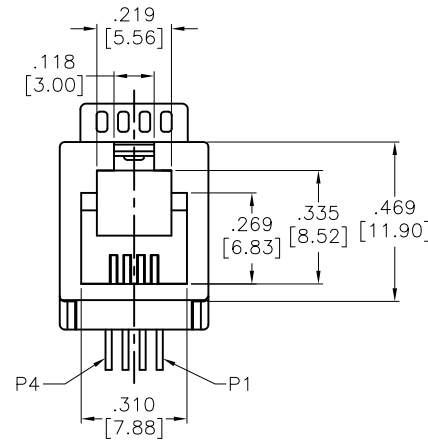
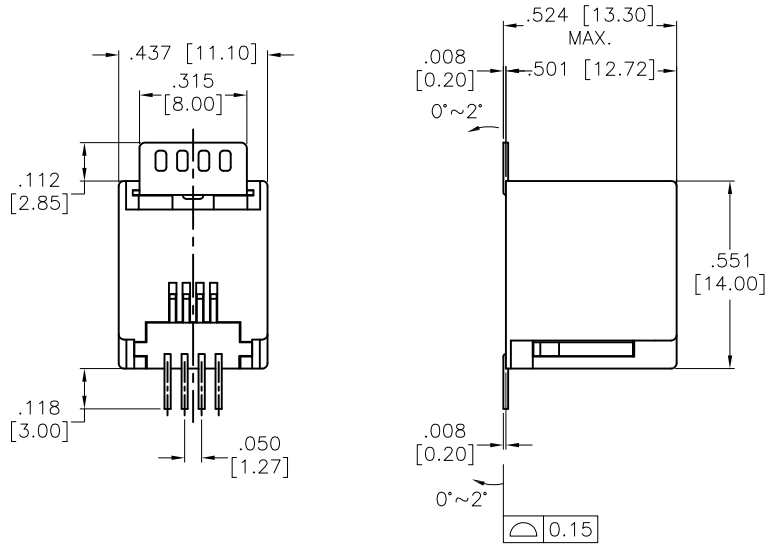


APPROVED: _____
 DATE: _____ TITLE: _____

Rev	AWO #	Description	Date	Appr
-	7426	RELEASED	01/11/07	
A		REDRAWN	10/5/11	
B		UPDATE DRAWING	4/11/16	AY/JK
C		UPDATED SPEC.	9/12/18	HR/LW



SPECIFICATIONS:

Material:
 Insulator: Hi-temp thermoplastic, rated UL 94V-0
 Insulator color: Black
 Contacts: Phosphor Bronze
 Hold Down: Brass, Matte Tin plated
Plating:

Gold over Nickel underplate on contact area
 Gold flash over Nickel underplate on solder tails
Electrical:

Voltage rating: 150 VAC max
 Current rating: 1.5 Amps max
 Contact resistance: 20 mohms max
 Insulation resistance: 500 Mohms min @ 500 VDC
 Dielectric withstanding voltage: 1000 VAC for 1 minute
Temperature Rating:
 Operating temperature: -40°C to +85°C
Environmental:
 Lead free, RoHS compliant.



UNLESS OTHERWISE SPECIFIED
 ALL DIMENSIONS ARE MM [INCHES]
 TOLERANCES: EXCEPT AS NOTED
 INCHES HOLES
 .X ± .10 Ø.X ± .10
 .XX ± .020 Ø.XX ± .015
 .XXX ± .015 Ø.XXX ± .010

ADAM TECH 909 Rahway Avenue,
 Union, NJ 07083
 Phone: 908-687-5000
INTERCONNECTS Fax: 908-687-5710

APPROVALS		DATE
DRAWN	BW	01/11/07
CHECKED		
APPROVED		

TITLE TELEPHONE JACK, SMT, TOP ENTRY, 4P4C, SURFACE MOUNT		
SIZE X	PART NO. MTJ-44HX1	REV. C
REF: S00065T	SCALE: NTS	SHEET 1 OF 1