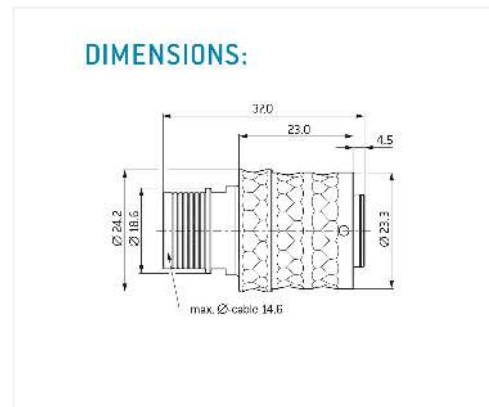
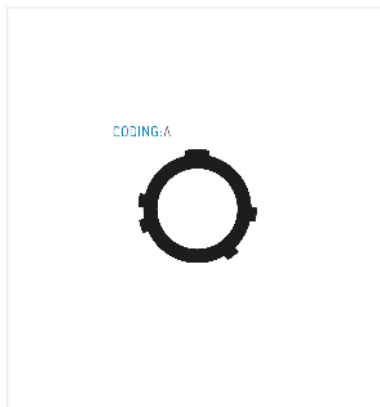


series_t, Break-Away plug, mil_standard_38999

General information

Part number	A1TAATO-H005PN-0000
Termination	crimp
Size	12 (STD 38999)
Locking principle	break
Coding	a_key_amc
Cable Diameter	cable_amc_t_h
Cable outlet	overmolding



Contact insert description

Number of contacts	5
Contact type	pins
Contact diameter	16mm
Insulator material	peek
Wire cross section	16-20_awg
Termination	crimp

Technical information

Nominal current single contact	13_a	iec_60512_5_2
Test voltage	18_kv_ac	eia_364_20f

safety_text

Mechanical and environmental data

Degree of protection*	ip6k9k
Operating temperature	65_175_c
Mating cycles	500

mated

Material and surface treatments

Housing	alu_tin_nickel
----------------	----------------

Contact	cu_alloy_gold
----------------	---------------

data_text

safety_text_2

data_text

ul_text

illustrative_text