

PART NAME: LEG ASSEMBLY SCALE: 1:1 DATE: 1/16/89 DR. BY HD

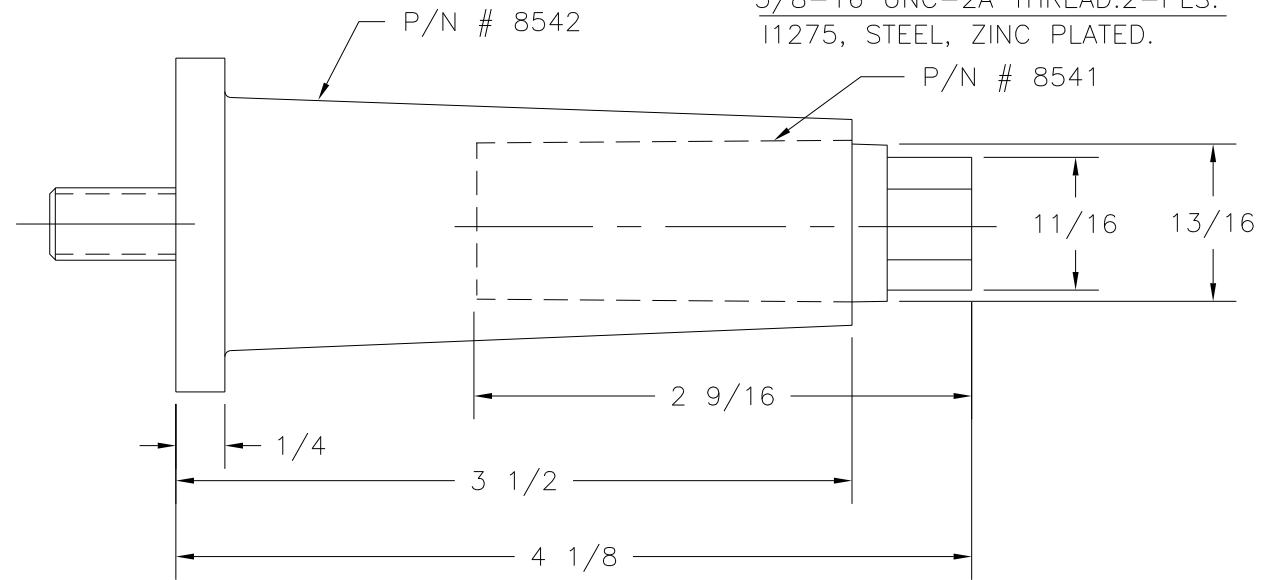
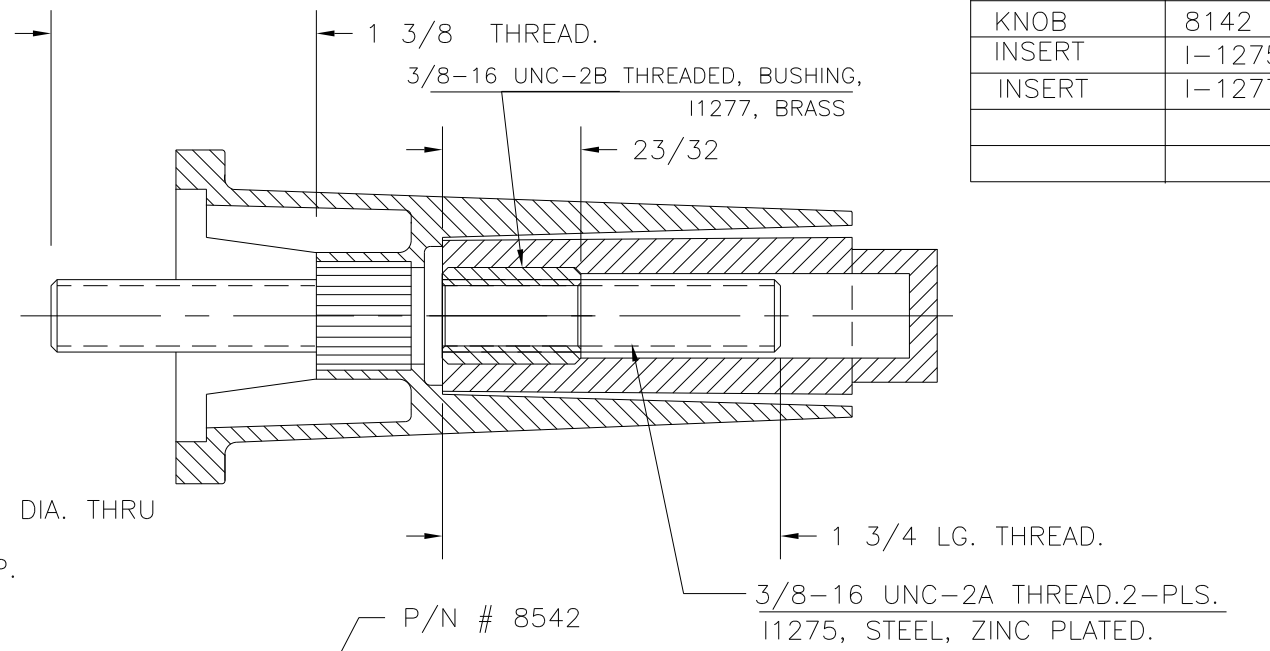
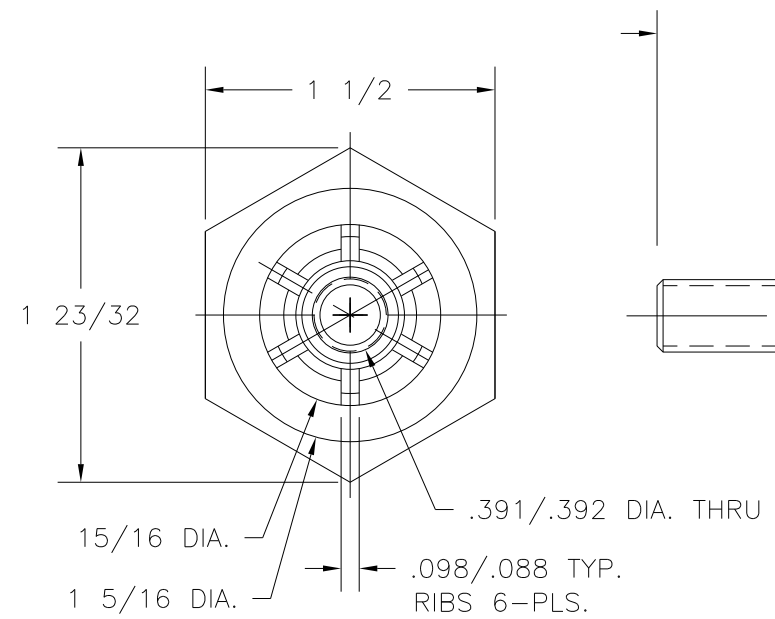
THIS DRAWING IS THE PROPERTY OF DAVIES MOLDING COMPANY, IS SUBMITTED SOLELY AS A DESIGN OR ENGINEERING PROJECT. WE ACCEPT NO RESPONSIBILITY WHATSOEVER FOR THE PRACTICAL APPLICATION OF THE PIECES MADE TO THIS DESIGN.

DAVIES MOLDING COMPANY

CAROL STREAM, ILLINOIS 60188

CAD/REDRAWN : 6/28/95 : HD

P/N	8540
M NO.	# 50
KNOB	8141
KNOB	8142
INSERT	I-1275
INSERT	I-1277



MATERIAL : ABS
COLOR : BLACK

NOTE : LEG ASSEMBLY MUST BE COMPLETED
IN FINISHING DEPARTMENT.

TOLERANCES: UNLESS OTHERWISE SPECIFIED	DO NOT SCALE DRAWING			
DECIMALS: X.XXX ± .005 X.XX ± .015	MM: X.XX ± 0.15MM X.X ± 0.4MM	-	CAD/REDRAWN & UPDATED DWG.	HD 6/28/95
FRACTIONS ± 1/64	ANG. ± 1°	CHANGES		