



Twin pushbutton, 22 mm, round, plastic, white, black, pushbuttons, flat

|  |   |
|--|---|
| <b>product brand name</b>                                  | SIRIUS ACT  |
| <b>product designation</b>                                 | Twin pushbuttons  |
| <b>design of the product</b>                               | Actuating/signaling element   |
| <b>product type designation</b>                            | 3SU1  |
| <b>product line</b>  | Plastic, black, 22 mm   |
| <b>Enclosure</b>   |   |
| <b>number of command points</b>                            | 1   |
| <b>Actuator</b>  |   |
| <b>design of the actuating element</b>                     | Flat buttons  |
| <b>principle of operation of the actuating element</b>     | momentary contact type  |
| <b>product extension optional</b>                          |   |
| • light source   | No  |
| • contact module   | Yes   |
| <b>color of the actuating element</b>                      | white / black   |
| <b>material of the actuating element</b>                   | plastic   |
| <b>shape of the actuating element</b>                      | oval  |
| <b>Front ring</b>  |   |
| <b>product component front ring</b>                        | Yes   |
| <b>design of the front ring</b>                            | Standard  |
| <b>material of the front ring</b>                          | plastic   |
| <b>color of the front ring</b>                             | black   |
| <b>General technical data</b>                              |   |
| <b>protection class IP</b>                                 | IP66, IP67, IP69(IP69K)   |
| <b>degree of protection NEMA rating</b>                    | 1, 2, 3, 3R, 4, 4X, 12, 13  |
| <b>shock resistance</b>                                    |   |
| • acc. to IEC 60068-2-27                                   | Sinusoidal half-wave 50g / 11 ms                                    |
| • for railway applications acc. to DIN EN 61373            | Category 1, Class B   |
| <b>vibration resistance</b>                                |   |
| • acc. to IEC 60068-2-6                                    | 10 ... 500 Hz: 5g   |
| • for railway applications acc. to DIN EN 61373            | Category 1, Class B   |
| <b>operating frequency maximum</b>                         | 3 600 1/h   |
| <b>mechanical service life (switching cycles) typical</b>  | 2 000 000   |
| <b>reference code acc. to IEC 81346-2</b>                  | S   |
| <b>Ambient conditions</b>                                  |   |
| • ambient temperature during operation                     | -25 ... +70 °C  |
| • ambient temperature during storage                       | -40 ... +80 °C  |
| <b>environmental category during operation acc. to IEC</b> | 3M6, 3S2, 3B2, 3C3, 3K6 (with relative air humidity of 10 ... 95 %) |

|   |         |
|---|---------|
| 60721                                       |         |
| <b>Installation/ mounting/ dimensions</b>   |         |
| height                                      | 57.7 mm |
| width                                       | 29.8 mm |
| shape of the installation opening           | round   |
| mounting diameter                           | 22.3 mm |
| positive tolerance of installation diameter | 0.4 mm  |
| mounting height                             | 14.4 mm |
| installation width                          | 29.9 mm |
| installation depth                          | 25.7 mm |

|                                 |                                  |
|---------------------------------|----------------------------------|
| <b>Certificates/ approvals</b>  |                                  |
| <b>General Product Approval</b> | <b>Declaration of Conformity</b> |
|                                 | <b>Test Certificates</b>         |



[Miscellaneous](#)



[Special Test Certificate](#)

|                          |                          |
|--------------------------|--------------------------|
| <b>Test Certificates</b> | <b>Marine / Shipping</b> |
|--------------------------|--------------------------|

[Type Test Certificates/Test Report](#)



|              |
|--------------|
| <b>other</b> |
|--------------|

[Confirmation](#)

**Further information**

Information- and Downloadcenter (Catalogs, Brochures,...)

<https://www.siemens.com/ic10>

Industry Mall (Online ordering system)

<https://mall.industry.siemens.com/mall/en/en/Catalog/product?mlfb=3SU1000-3AB61-0AA0>

Cax online generator

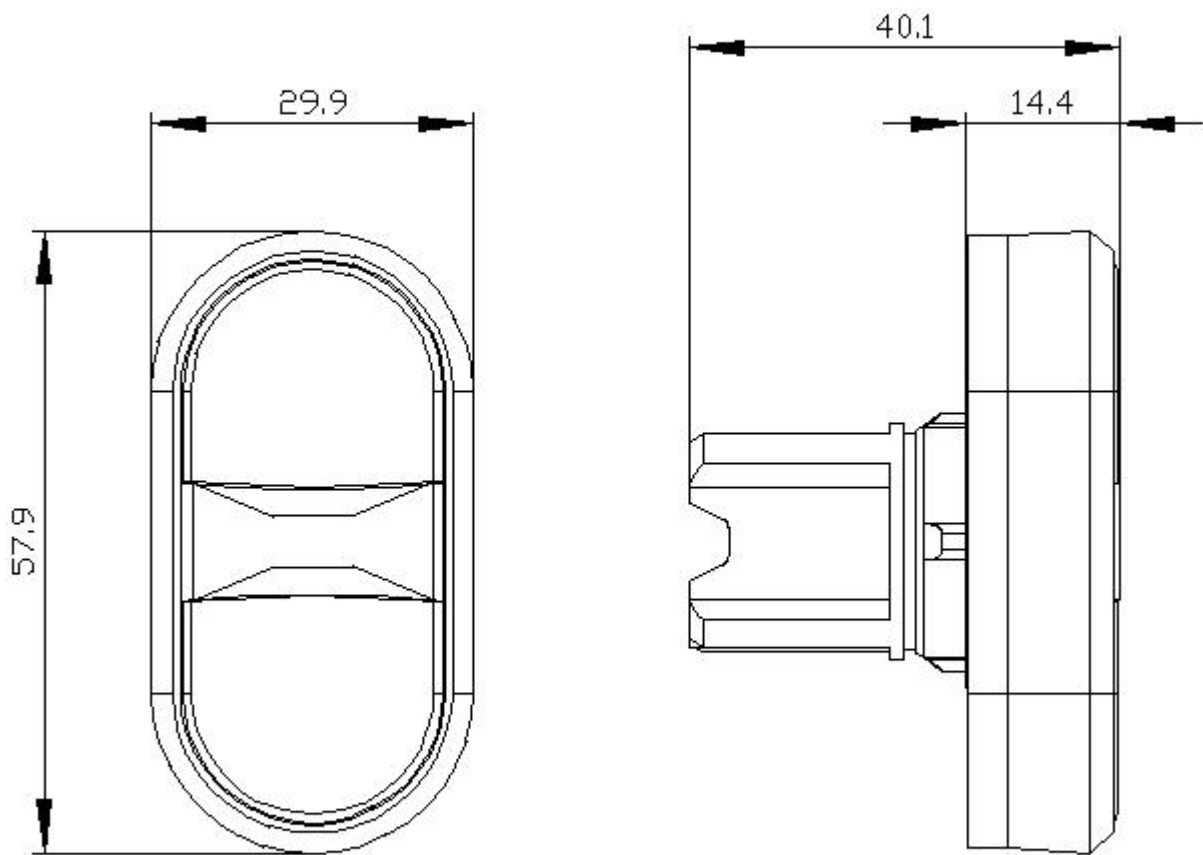
<http://support.automation.siemens.com/WW/CAXorder/default.aspx?lang=en&mlfb=3SU1000-3AB61-0AA0>

Service&Support (Manuals, Certificates, Characteristics, FAQs,...)

<https://support.industry.siemens.com/cs/ww/en/ps/3SU1000-3AB61-0AA0>

Image database (product images, 2D dimension drawings, 3D models, device circuit diagrams, EPLAN macros, ...)

[http://www.automation.siemens.com/bilddb/cax\\_de.aspx?mlfb=3SU1000-3AB61-0AA0&lang=en](http://www.automation.siemens.com/bilddb/cax_de.aspx?mlfb=3SU1000-3AB61-0AA0&lang=en)



last modified:

8/31/2020 