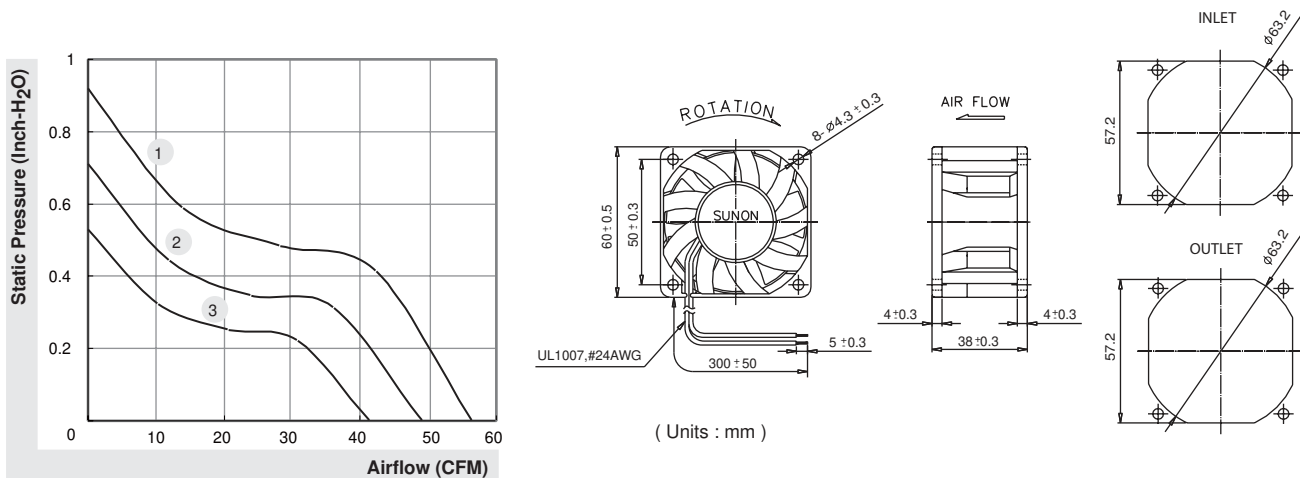


60x60x38 mm

41.5~56.5 CFM



| Model | P/N | Bearing ● 2BALL ○ Sleeve | Rating Voltage (VDC) | Power Current (AMP) | Power Consumption (WATTS) | Speed (RPM) | Air Flow (CFM) | Static Pressure (Inch-H ₂ O) | Noise (dBA) | Weight (g) | Curve |
|---------------|--------|--------------------------------|----------------------|---------------------|---------------------------|-------------|----------------|---|-------------|------------|-------|
| PMD1206PMB1-A | (2).GN | ● | 12 | 0.88 | 10.6 | 8000 | 56.5 | 0.92 | 56 | 90 | 1 |
| PMD1206PMB2-A | (2).GN | ● | 12 | 0.58 | 7.0 | 7000 | 49.2 | 0.71 | 52 | 90 | 2 |
| PMD1206PMB3-A | (2).GN | ● | 12 | 0.43 | 5.2 | 6000 | 41.5 | 0.53 | 47 | 90 | 3 |
| PMD2406PMB1-A | (2).GN | ● | 24 | 0.43 | 10.3 | 8000 | 56.5 | 0.92 | 56 | 90 | 1 |
| PMD2406PMB2-A | (2).GN | ● | 24 | 0.31 | 7.4 | 7000 | 49.2 | 0.71 | 52 | 90 | 2 |
| PMD2406PMB3-A | (2).GN | ● | 24 | 0.22 | 5.3 | 6000 | 41.5 | 0.53 | 47 | 90 | 3 |
| PMD4806PMB1-A | (2).GN | ● | 48 | 0.24 | 11.5 | 8000 | 56.5 | 0.92 | 56 | 90 | 1 |
| PMD4806PMB2-A | (2).GN | ● | 48 | 0.18 | 8.6 | 7000 | 49.2 | 0.71 | 52 | 90 | 2 |
| PMD4806PMB3-A | (2).GN | ● | 48 | 0.13 | 6.2 | 6000 | 41.5 | 0.53 | 47 | 90 | 3 |



*All model could be customized. Please contact with Sunon Sales.

*Specifications subject to change without notice. Please Visit SUNON web site at <http://www.sunon.com> for update information.