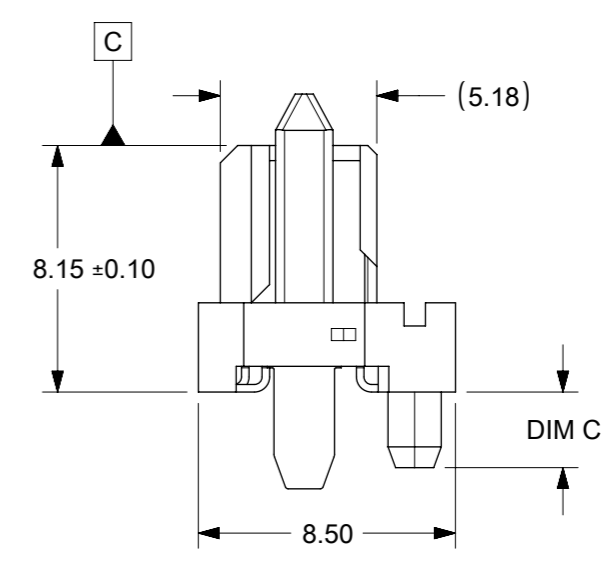
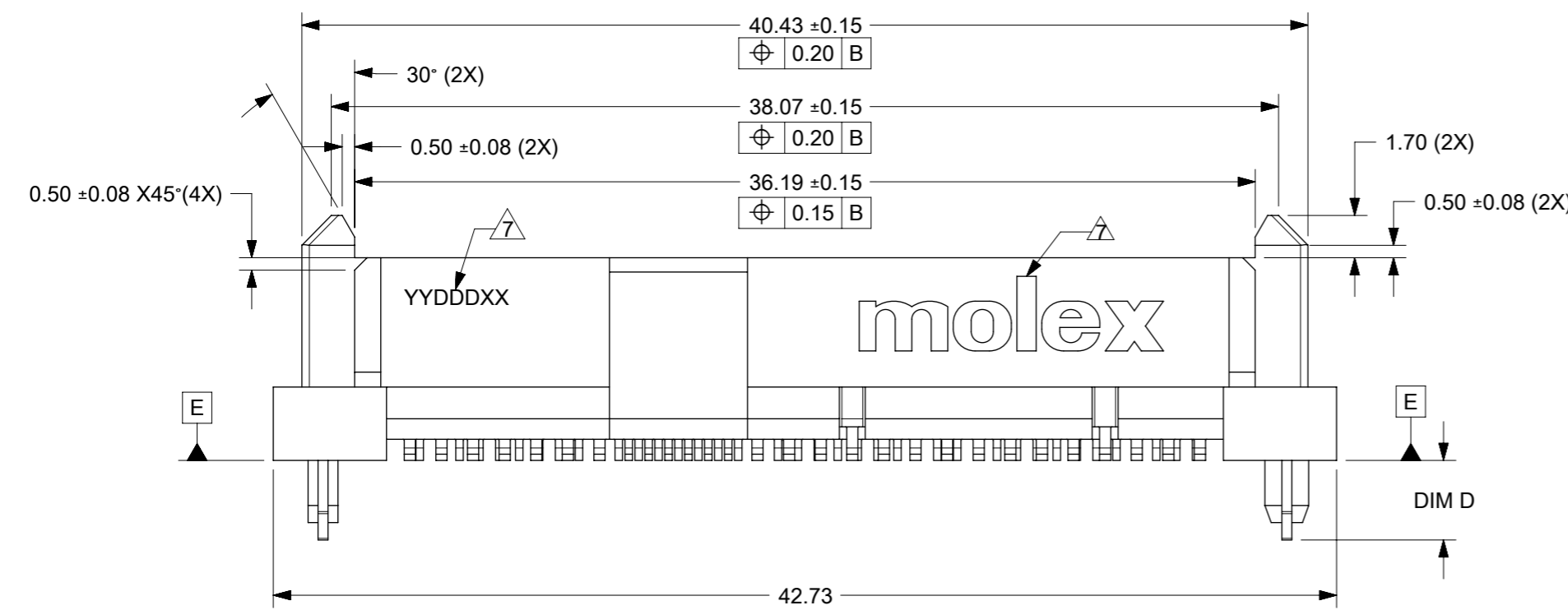


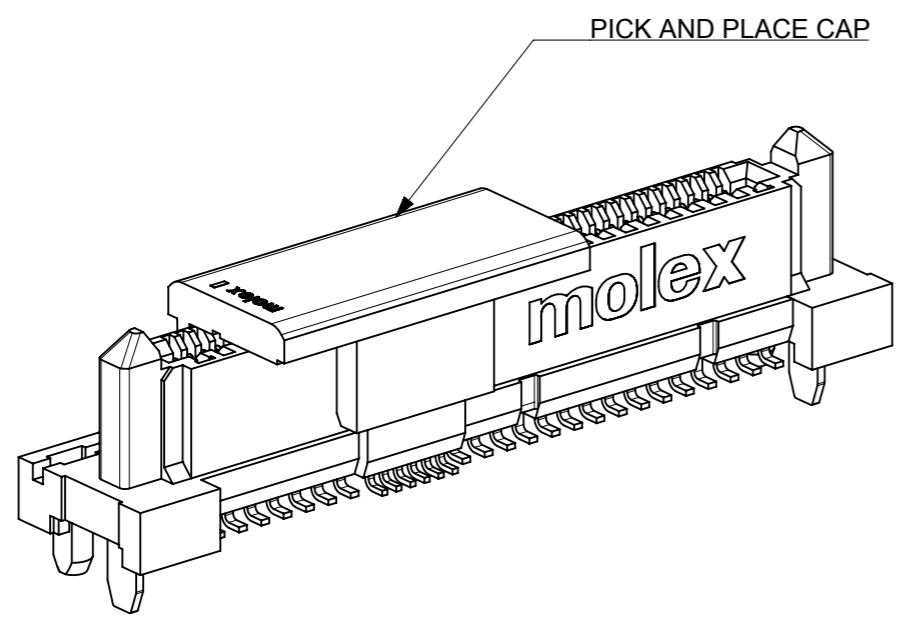
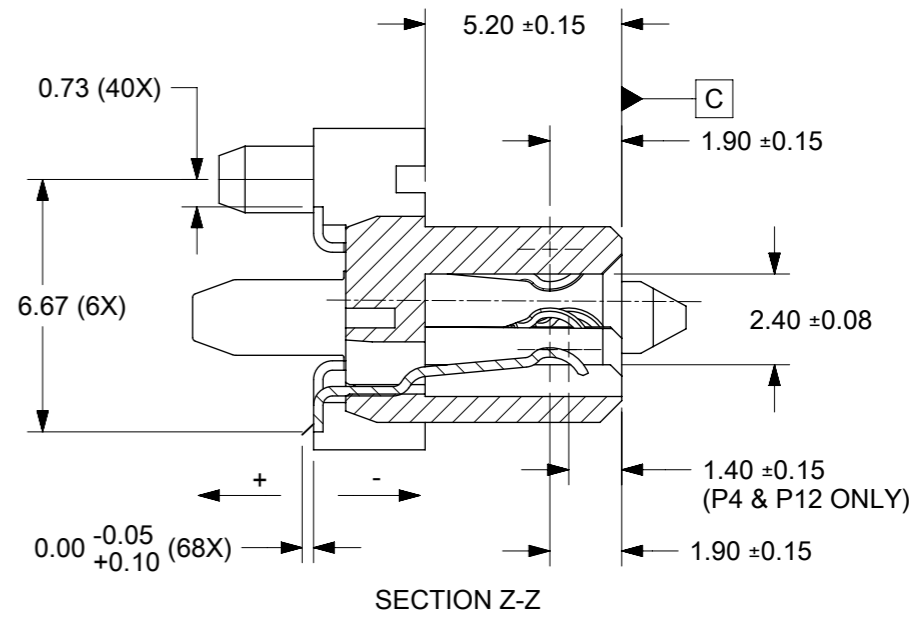
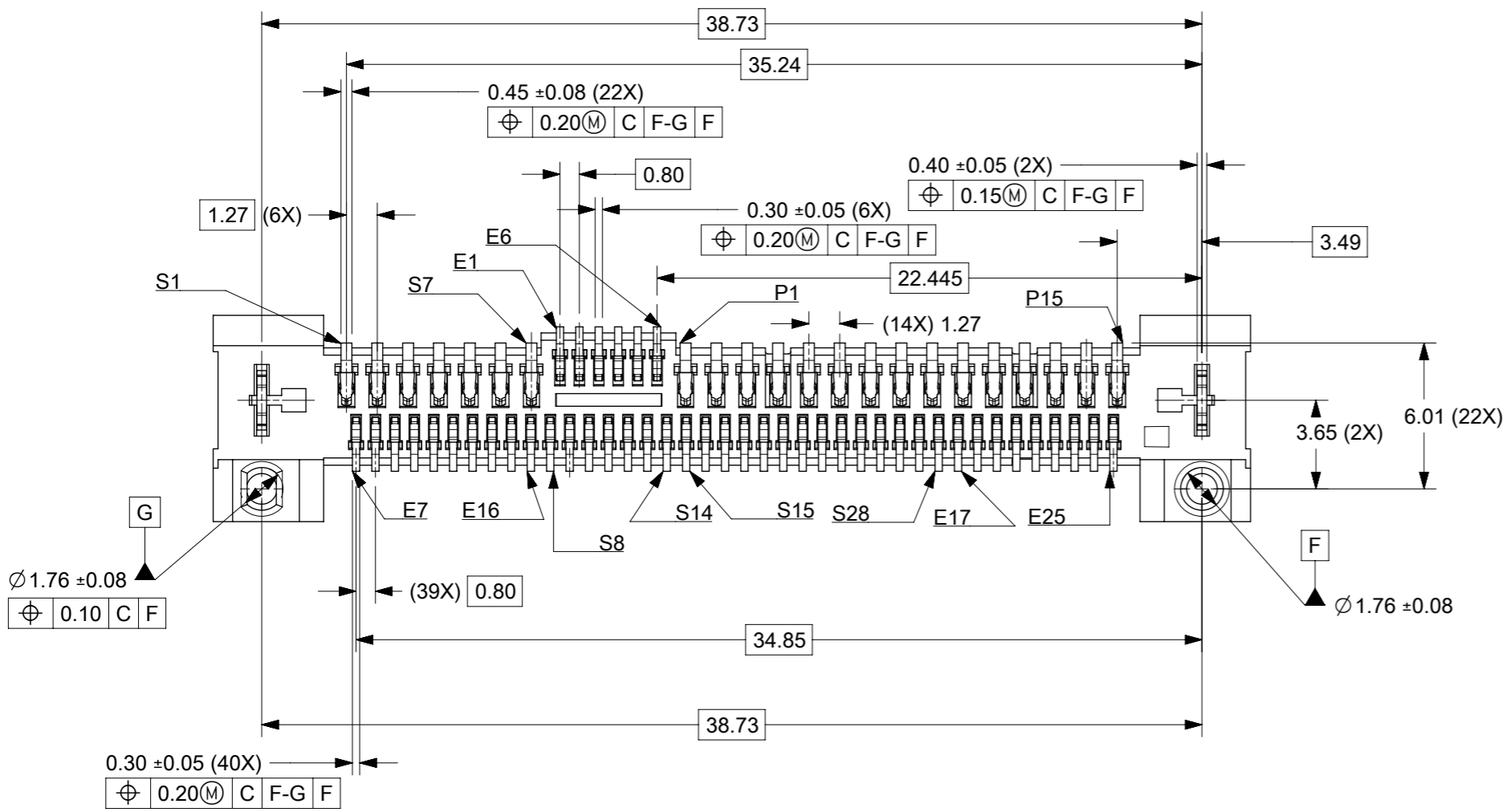
- NOTES:
- MATERIALS:
HOUSING: LCP, GLASS FILLED, UL94V-0, COLOR: BLACK
PICK AND PLACE CAP: LCP, GLASS FILLED, UL94V-0, COLOR: BLACK
TERMINALS & MOUNT BLADE: COPPER ALLOY
 - FINISHES:
TERMINALS:
0.76µM MIN GOLD ON CONTACTS OVER 1.27µM MIN NICKEL UNDERPLATE.
2.54µM MIN TIN ON SOLDER TAIL OVER 1.27µM MIN NICKEL UNDERPLATE.
MOUNT BLADE: 2.54µM MIN TIN OVER 1.27µM MIN NICKEL UNDERPLATE
 - PRODUCT SPECIFICATION: PS-78784-001
 - PACKAGING SPECIFICATION: PK-78784-001
 - MATES WITH: SFF 8639 PLUG, SFF8482 PLUG, SFF8680 PLUG.
 - NON FUNCTIONAL CORING TO VARIES.
 - MOLEX LOGO, DATE CODE AND CAVITY ID TO BE LOCATED APPROXIMATELY AS SHOWN.
 - ALL DESIGNATED GROUND PINS BY DESIGN ARE A SINGLE RETURN PATH.



THIS DESIGN IS BASED ON DESIGN OBJECTIVES AND IS STRICTLY TENTATIVE. IT MAY CHANGE BASED ON RESULTS OF ADDITIONAL DESIGN REVIEWS & VERIFICATIONS.

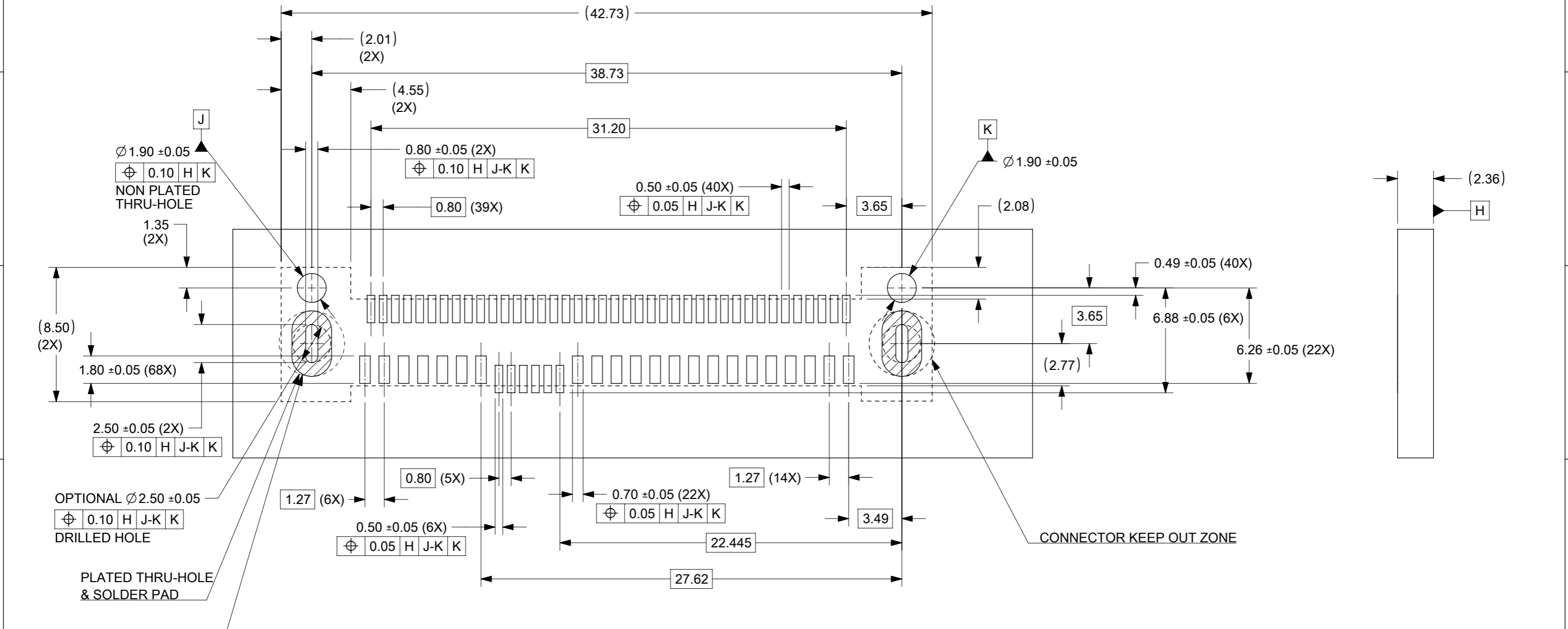
YYDDXX
YEAR
DAYS
ASSEMBLY LINE CODE
1#-EXISTING LINE
2#-NEW LINE

THIS DRAWING CONTAINS INFORMATION THAT IS PROPRIETARY TO MOLEX ELECTRONIC TECHNOLOGIES, LLC AND SHOULD NOT BE USED WITHOUT WRITTEN PERMISSION									
DIMENSION UNITS	SCALE	CURRENT REV DESC: UPDATED CUSTOMER NAME TO "GENERAL MARKET".							
mm	NTS								
GENERAL TOLERANCES (UNLESS SPECIFIED)									
ANGULAR TOL	± 3.0°	SAS/ PCIE STD HEIGHT BACKPLANE SMT RECEPTACLE MOUNT BLADE							
4 PLACES	±	PRODUCT CUSTOMER DRAWING							
3 PLACES	±	DOCUMENT NUMBER							
2 PLACES	± 0.2	SD-78784-001							
1 PLACE	±	DOC TYPE							
0 PLACES	±	PSD							
DRAFT WHERE APPLICABLE MUST REMAIN WITHIN DIMENSIONS		THIRD ANGLE PROJECTION		DRAWING	SERIES	MATERIAL NUMBER	CUSTOMER	DOC PART	REVISION
				A3-SIZE	78784	SEE TABLE	GENERAL MARKET	000	B1
									SHEET NUMBER
									1 OF 3



THIS DRAWING CONTAINS INFORMATION THAT IS PROPRIETARY TO MOLEX ELECTRONIC TECHNOLOGIES, LLC AND SHOULD NOT BE USED WITHOUT WRITTEN PERMISSION									
DIMENSION UNITS	SCALE	CURRENT REV DESC: UPDATED CUSTOMER NAME TO "GENERAL MARKET".							
mm	NTS								
GENERAL TOLERANCES (UNLESS SPECIFIED)									
ANGULAR TOL	± 3.0°	SAS/ PCIE STD HEIGHT BACKPLANE SMT RECEPTACLE MOUNT BLADE							
4 PLACES	±	PRODUCT CUSTOMER DRAWING							
3 PLACES	±	EC NO: 676205	2021/08/24	DOCUMENT NUMBER: SD-78784-001 DOC TYPE: PSD DOC PART: 000 REVISION: B1					
2 PLACES	± 0.2	DRWN: YOGEEB	2021/09/01						
1 PLACE	±	CHK'D: CWANG25	2021/09/08	MATERIAL NUMBER: SEE TABLE CUSTOMER: GENERAL MARKET SHEET NUMBER: 2 OF 3					
0 PLACES	±	APPR: SHONG	2021/09/08						
DRAFT WHERE APPLICABLE MUST REMAIN WITHIN DIMENSIONS		INITIAL REVISION:	2016/09/20	SERIES: 78784 SEE TABLE					
		DRWN: ABIJAPUR	2018/06/20						
		APPR: SHONG							
		THIRD ANGLE PROJECTION							
		DRAWING	A3-SIZE						

PART NO	DIM C PEG HEIGHT (2X)	DIM D PEG HEIGHT (2X)
78784-0001	2.50	3.20
78784-0002	2.00	2.00



RECOMMENDED PCB LAYOUT (COMPONENT SIDE)
PCB THICKNESS: 2.36±0.10 MM

THIS DRAWING CONTAINS INFORMATION THAT IS PROPRIETARY TO MOLEX ELECTRONIC TECHNOLOGIES, LLC AND SHOULD NOT BE USED WITHOUT WRITTEN PERMISSION											
DIMENSION UNITS mm		SCALE NTS		CURRENT REV DESC: UPDATED CUSTOMER NAME TO "GENERAL MARKET".				molex		SAS/ PCIE STD HEIGHT BACKPLANE SMT RECEPTACLE MOUNT BLADE	
GENERAL TOLERANCES (UNLESS SPECIFIED)											
ANGULAR TOL		± 3.0 °		EC NO: 676205				PRODUCT CUSTOMER DRAWING		DOCUMENT NUMBER SD-78784-001	
4 PLACES		±		DRWN: YOGEEB 2021/08/24							
3 PLACES		±		CHK'D: CWANG25 2021/09/01				INITIAL REVISION:		DOC TYPE PSD	
2 PLACES		± 0.2		APPR: SHONG 2021/09/08							
1 PLACE		±		DRWN: ABIJAPUR 2016/09/20				SERIES 78784		MATERIAL NUMBER SEE TABLE	
0 PLACES		±		APPR: SHONG 2018/06/20							
DRAFT WHERE APPLICABLE MUST REMAIN WITHIN DIMENSIONS		THIRD ANGLE PROJECTION		DRAWING A3-SIZE		CUSTOMER GENERAL MARKET		SHEET NUMBER 3 OF 3			

DOCUMENT STATUS	P1	RELEASE DATE	2021/09/08	06:11:04
-----------------	----	--------------	------------	----------