

SN54ALS165, SN74ALS165 PARALLEL-LOAD 8-BIT REGISTERS

SDAS157B – JUNE 1982 – REVISED DECEMBER 1994

- Complementary Outputs
- Direct Overriding Load (Data) Inputs
- Gated Clock Inputs
- Parallel-to-Serial Data Conversion
- Package Options Include Plastic Small-Outline (D) Packages, Ceramic Chip Carriers (FK), and Standard Plastic (N) and Ceramic (J) 300-mil DIPs

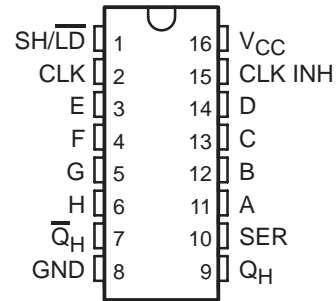
description

The 'ALS165 are parallel-load 8-bit serial shift registers that, when clocked, shift the data toward serial (Q_H and \bar{Q}_H) outputs. Parallel-in access to each stage is provided by eight individual direct data (A–H) inputs that are enabled by a low level at the shift/load (SH/\bar{LD}) input. The 'ALS165 have a clock-inhibit function and complemented serial outputs.

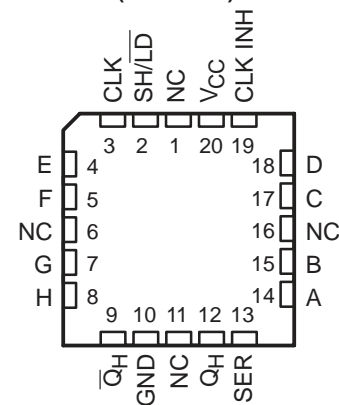
Clocking is accomplished by a low-to-high transition of the clock (CLK) input while SH/\bar{LD} is held high and the clock inhibit (CLK INH) input is held low. The functions of CLK and CLK INH are interchangeable. Since a low CLK and a low-to-high transition of CLK INH also accomplishes clocking, CLK INH should be changed to the high level only while CLK is high. Parallel loading is inhibited when SH/\bar{LD} is held high. The parallel inputs to the register are enabled while SH/\bar{LD} is low independently of the levels of the CLK, CLK INH, or serial (SER) inputs.

The SN54ALS165 is characterized for operation over the full military temperature range of -55°C to 125°C . The SN74ALS165 is characterized for operation from 0°C to 70°C .

SN54ALS165 . . . J PACKAGE
SN74ALS165 . . . D OR N PACKAGE
(TOP VIEW)



SN54ALS165 . . . FK PACKAGE
(TOP VIEW)



NC – No internal connection

FUNCTION TABLE

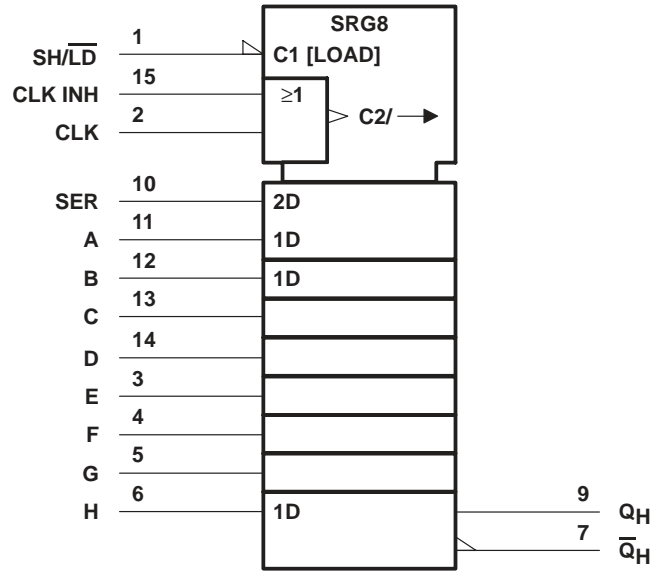
| INPUTS | | | FUNCTION |
|---------------|-----|---------|---------------|
| SH/\bar{LD} | CLK | CLK INH | |
| L | X | X | Parallel load |
| H | H | X | No change |
| H | X | H | No change |
| H | L | ↑ | Shift† |
| H | ↑ | L | Shift† |

† Shift = content of each internal register shifts toward serial outputs. Data at SER is shifted into first register.

SN54ALS165, SN74ALS165 PARALLEL-LOAD 8-BIT REGISTERS

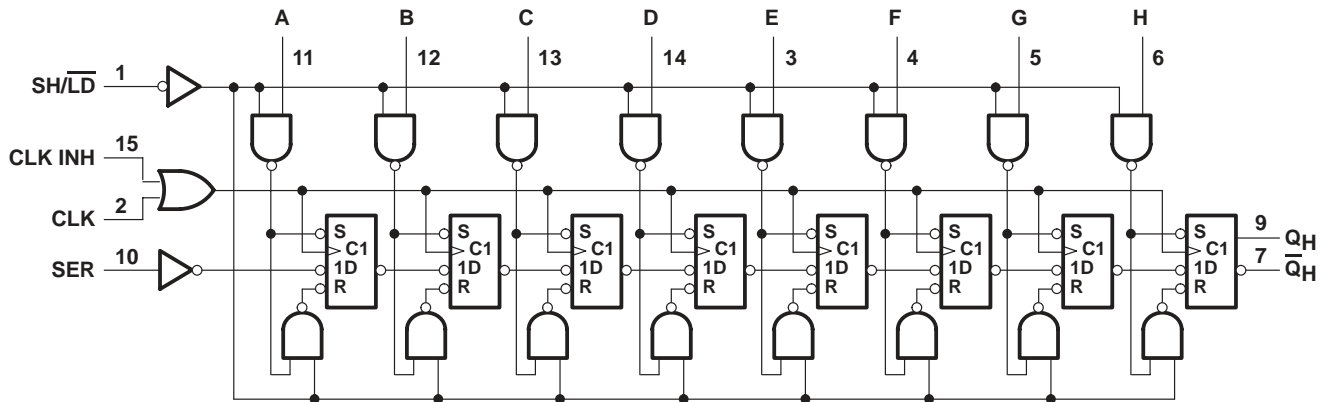
SDAS157B – JUNE 1982 – REVISED DECEMBER 1994

logic symbol†



† This symbol is in accordance with ANSI/IEEE Std 91-1984 and IEC Publication 617-12.
Pin numbers shown are for the D, J, and N packages.

logic diagram (positive logic)

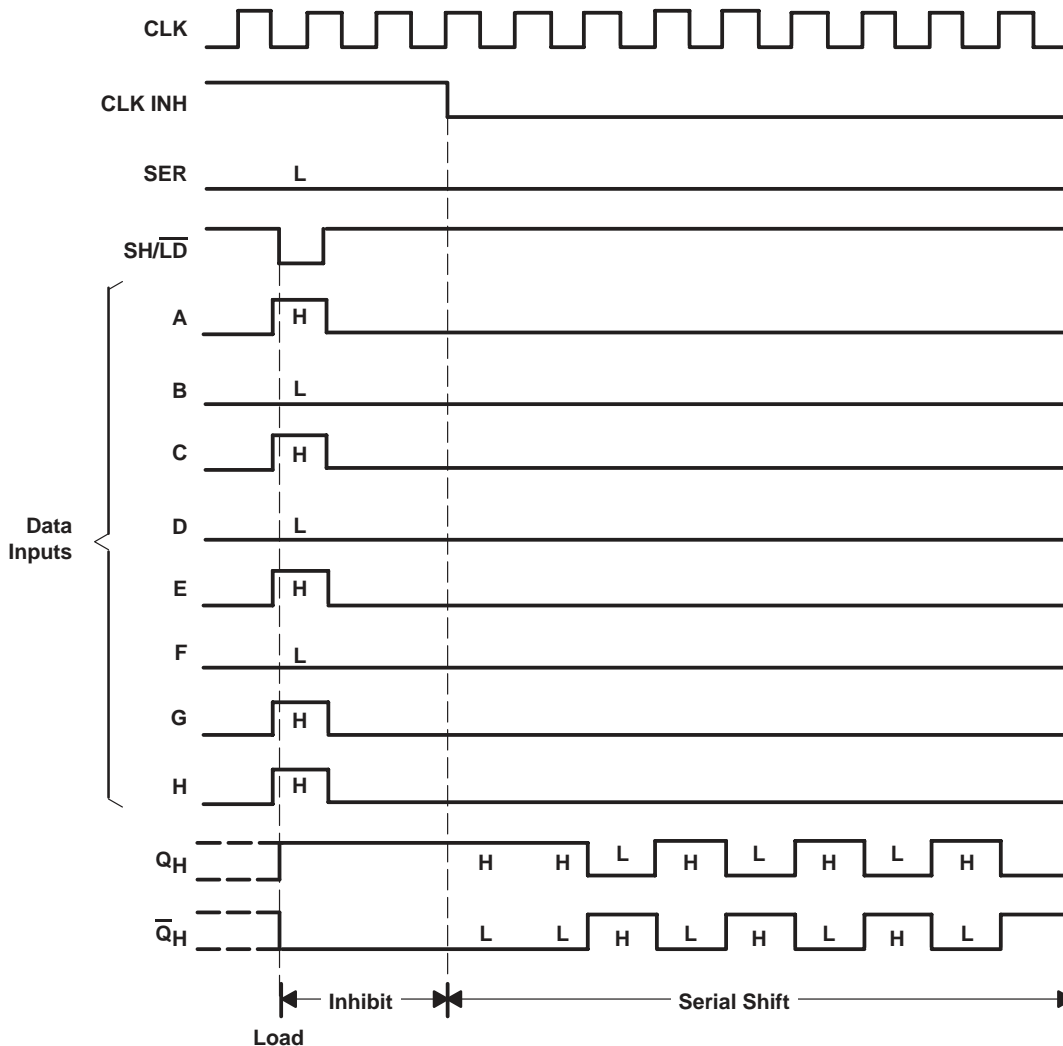


Pin numbers shown are for the D, J, and N packages.



POST OFFICE BOX 655303 • DALLAS, TEXAS 75265
POST OFFICE BOX 1443 • HOUSTON, TEXAS 77251-1443

typical shift, load, and inhibit sequences



absolute maximum ratings over operating free-air temperature range (unless otherwise noted)†

| | |
|--|----------------|
| Supply voltage, V_{CC} | 7 V |
| Input voltage, V_I | 7 V |
| Operating free-air temperature range, T_A : SN54ALS165 | -55°C to 125°C |
| SN74ALS165 | 0°C to 70°C |
| Storage temperature range | -65°C to 150°C |

† Stresses beyond those listed under "absolute maximum ratings" may cause permanent damage to the device. These are stress ratings only, and functional operation of the device at these or any other conditions beyond those indicated under "recommended operating conditions" is not implied. Exposure to absolute-maximum-rated conditions for extended periods may affect device reliability.

SN54ALS165, SN74ALS165 PARALLEL-LOAD 8-BIT REGISTERS

SDAS157B – JUNE 1982 – REVISED DECEMBER 1994

recommended operating conditions

| | | SN54ALS165 | | | SN74ALS165 | | | UNIT |
|-----------------------|---|------------|-----|------|------------|-----|------|------|
| | | MIN | NOM | MAX | MIN | NOM | MAX | |
| V _{CC} | Supply voltage | 4.5 | 5 | 5.5 | 4.5 | 5 | 5.5 | V |
| V _{IH} | High-level input voltage | 2 | | | 2 | | | V |
| V _{IL} | Low-level input voltage | | | 0.7 | | | 0.8 | V |
| I _{OH} | High-level output current | | | -0.4 | | | -0.4 | mA |
| I _{OL} | Low-level output current | | | 4 | | | 8 | mA |
| f _{clock} | Clock frequency | 0 | | 35 | 0 | | 45 | MHz |
| t _w (CLK) | Pulse duration, CLK (see Figure 1) | CLK high | | 14 | | 11 | | ns |
| | | CLK low | | 14 | | 11 | | |
| t _w (load) | Pulse duration, SH/LD low | | | 15 | | 12 | | ns |
| t _{su1} | Setup time, clock enable (see Figure 1) | | | 15 | | 11 | | ns |
| t _{su2} | Setup time, parallel input (see Figure 1) | | | 11 | | 10 | | ns |
| t _{su3} | Setup time, serial input (see Figure 2) | | | 11 | | 10 | | ns |
| t _{su4} | Setup time, shift (see Figure 2) | | | 15 | | 10 | | ns |
| t _h | Hold time at any input | | | 4 | | 4 | | ns |
| T _A | Operating free-air temperature | -55 | | 125 | 0 | | 70 | °C |

electrical characteristics over recommended operating free-air temperature range (unless otherwise noted)

| PARAMETER | TEST CONDITIONS | SN54ALS165 | | | SN74ALS165 | | | UNIT |
|------------------|---|------------------------|------|------|---------------------|------|------|------|
| | | MIN | TYP† | MAX | MIN | TYP† | MAX | |
| V _{IK} | V _{CC} = 4.5 V, I _I = -18 mA | | | -1.5 | | | -1.5 | V |
| V _{OH} | V _{CC} = 4.5 V to 5.5 V, I _{OH} = -0.4 mA | V _{CC} - 2 | | | V _{CC} - 2 | | | V |
| V _{OL} | V _{CC} = 4.5 V, I _{OL} = 4 mA | | 0.25 | 0.4 | | 0.25 | 0.4 | V |
| | | I _{OL} = 8 mA | | | | 0.35 | 0.5 | |
| I _I | V _{CC} = 5.5 V, V _I = 7 V | | | 0.1 | | | 0.1 | mA |
| I _{IH} | V _{CC} = 5.5 V, V _I = 2.7 V | | | 20 | | | 20 | μA |
| I _{IL} | V _{CC} = 5.5 V, V _I = 0.4 V | | | -0.1 | | | -0.1 | mA |
| I _O ‡ | V _{CC} = 5.5 V, V _O = 2.25 V | -20 | | -112 | -30 | | -112 | mA |
| I _{CC} | V _{CC} = 5.5 V, See Note 1 | | 12 | 24 | | 12 | 24 | mA |

† All typical values are at V_{CC} = 5 V, T_A = 25°C.

‡ The output conditions have been chosen to produce a current that closely approximates one half of the true short-circuit output current, I_{OS}.

NOTE 1: With the outputs open, CLK INH and CLK at 4.5 V, and a clock pulse applied to SH/LD, I_{CC} is measured first with the parallel inputs at 4.5 V, then with the parallel inputs grounded.

SN54ALS165, SN74ALS165 PARALLEL-LOAD 8-BIT REGISTERS

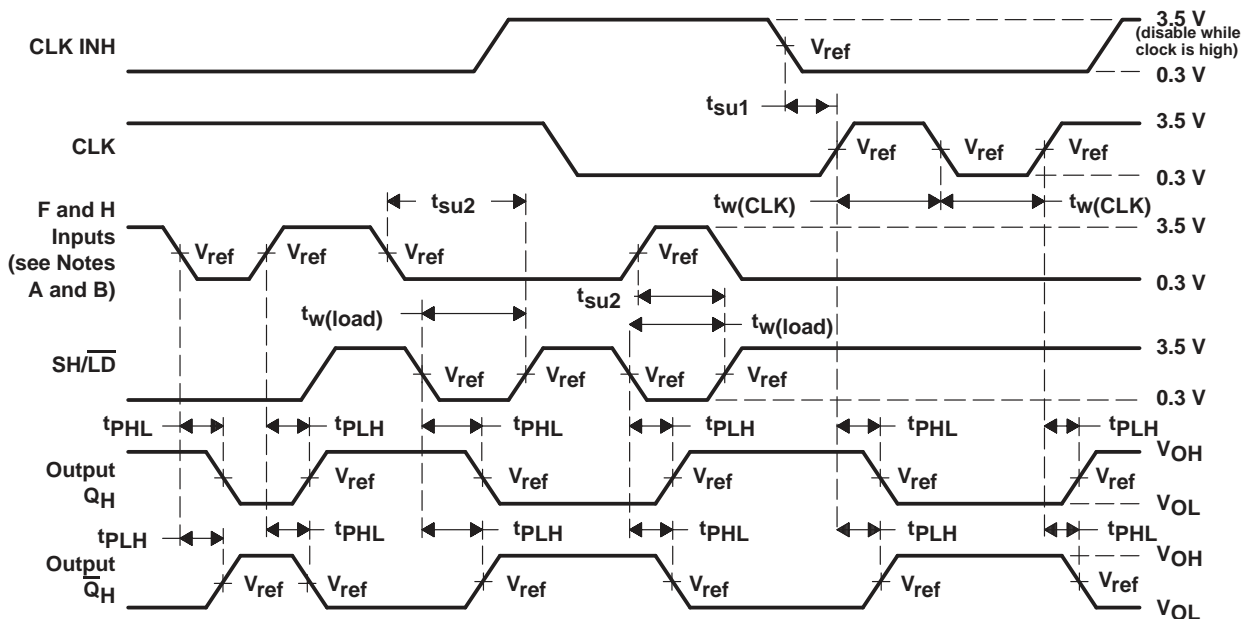
SDAS157B – JUNE 1982 – REVISED DECEMBER 1994

switching characteristics (see Figures 1, 2, and 3)

| PARAMETER | FROM (INPUT) | TO (OUTPUT) | V _{CC} = 4.5 V to 5.5 V, C _L = 50 pF, R _L = 500 Ω, T _A = MIN to MAX† | | | | UNIT |
|------------------|-----------------|-----------------|---|-----|------------|-----|------|
| | | | SN54ALS165 | | SN74ALS165 | | |
| | | | MIN | MAX | MIN | MAX | |
| f _{max} | | | 35 | | 45 | MHz | |
| t _{PLH} | SH/LD | Any | 4 | 23 | 4 | 20 | ns |
| t _{PHL} | | | 4 | 23 | 4 | 22 | |
| t _{PLH} | CLK | Any | 3 | 14 | 3 | 13 | ns |
| t _{PHL} | | | 3 | 15 | 3 | 14 | |
| t _{PLH} | H | Q _H | 3 | 14 | 3 | 13 | ns |
| t _{PHL} | | | 3 | 18 | 3 | 16 | |
| t _{PLH} | H | Q̄ _H | 2 | 17 | 2 | 15 | ns |
| t _{PHL} | | | 3 | 17 | 3 | 16 | |

† For conditions shown as MIN or MAX, use the appropriate value specified under recommended operating conditions.

PARAMETER MEASUREMENT INFORMATION



- NOTES: A. The remaining six data inputs and SER are low.
 B. Prior to test, high-level data is loaded into the H input.
 C. The input pulse generators have the following characteristics: PRR ≤ 1 MHz, duty cycle ≤ 50%, t_r = t_f = 2 ns.
 D. V_{ref} = 1.3 V

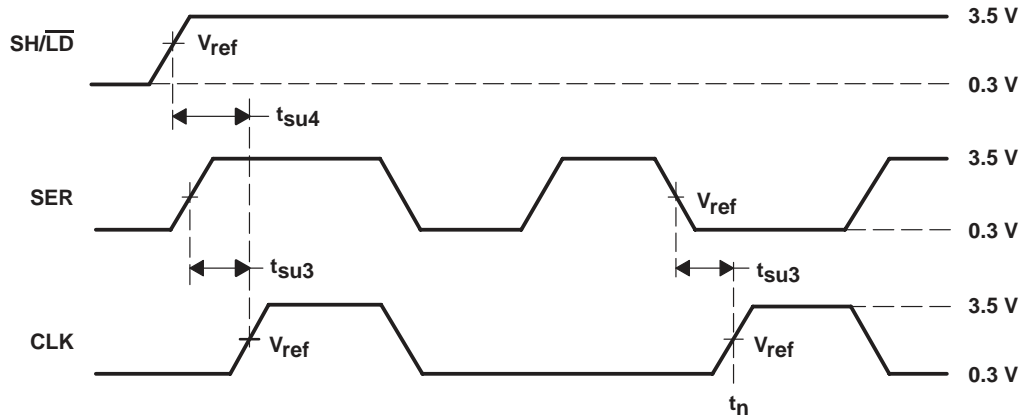
Figure 1. Voltage Waveforms



SN54ALS165, SN74ALS165 PARALLEL-LOAD 8-BIT REGISTERS

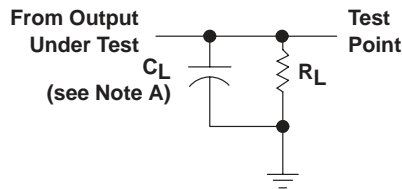
SDAS157B – JUNE 1982 – REVISED DECEMBER 1994

PARAMETER MEASUREMENT INFORMATION



- NOTES: A. The eight data inputs and CLK INH are low. Results are monitored at Q_H at $t_n + 7$.
 B. The input pulse generators have the following characteristics: PRR \leq 1 MHz, duty cycle = 50%, $t_r = t_f = 2$ ns.
 C. $V_{ref} = 1.3$ V

Figure 2. Voltage Waveforms



NOTE A: C_L includes probe and jig capacitance.

Figure 3. Load Circuit for Switching Tests

PACKAGING INFORMATION

| Orderable Device | Status (1) | Package Type | Package Drawing | Pins | Package Qty | Eco Plan (2) | Lead finish/ Ball material (6) | MSL Peak Temp (3) | Op Temp (°C) | Device Marking (4/5) | Samples |
|------------------|---------------|--------------|-----------------|------|-------------|-----------------|--------------------------------------|----------------------|--------------|-------------------------|-------------------------|
| SN74ALS165D | ACTIVE | SOIC | D | 16 | 40 | RoHS & Green | NIPDAU | Level-1-260C-UNLIM | 0 to 70 | ALS165 | Samples |
| SN74ALS165DR | ACTIVE | SOIC | D | 16 | 2500 | RoHS & Green | NIPDAU | Level-1-260C-UNLIM | 0 to 70 | ALS165 | Samples |
| SN74ALS165N | ACTIVE | PDIP | N | 16 | 25 | RoHS & Green | NIPDAU | N / A for Pkg Type | 0 to 70 | SN74ALS165N | Samples |

(1) The marketing status values are defined as follows:

ACTIVE: Product device recommended for new designs.

LIFEBUY: TI has announced that the device will be discontinued, and a lifetime-buy period is in effect.

NRND: Not recommended for new designs. Device is in production to support existing customers, but TI does not recommend using this part in a new design.

PREVIEW: Device has been announced but is not in production. Samples may or may not be available.

OBSOLETE: TI has discontinued the production of the device.

(2) **RoHS:** TI defines "RoHS" to mean semiconductor products that are compliant with the current EU RoHS requirements for all 10 RoHS substances, including the requirement that RoHS substance do not exceed 0.1% by weight in homogeneous materials. Where designed to be soldered at high temperatures, "RoHS" products are suitable for use in specified lead-free processes. TI may reference these types of products as "Pb-Free".

RoHS Exempt: TI defines "RoHS Exempt" to mean products that contain lead but are compliant with EU RoHS pursuant to a specific EU RoHS exemption.

Green: TI defines "Green" to mean the content of Chlorine (Cl) and Bromine (Br) based flame retardants meet JS709B low halogen requirements of <=1000ppm threshold. Antimony trioxide based flame retardants must also meet the <=1000ppm threshold requirement.

(3) MSL, Peak Temp. - The Moisture Sensitivity Level rating according to the JEDEC industry standard classifications, and peak solder temperature.

(4) There may be additional marking, which relates to the logo, the lot trace code information, or the environmental category on the device.

(5) Multiple Device Markings will be inside parentheses. Only one Device Marking contained in parentheses and separated by a "~" will appear on a device. If a line is indented then it is a continuation of the previous line and the two combined represent the entire Device Marking for that device.

(6) Lead finish/Ball material - Orderable Devices may have multiple material finish options. Finish options are separated by a vertical ruled line. Lead finish/Ball material values may wrap to two lines if the finish value exceeds the maximum column width.

Important Information and Disclaimer:The information provided on this page represents TI's knowledge and belief as of the date that it is provided. TI bases its knowledge and belief on information provided by third parties, and makes no representation or warranty as to the accuracy of such information. Efforts are underway to better integrate information from third parties. TI has taken and continues to take reasonable steps to provide representative and accurate information but may not have conducted destructive testing or chemical analysis on incoming materials and chemicals. TI and TI suppliers consider certain information to be proprietary, and thus CAS numbers and other limited information may not be available for release.

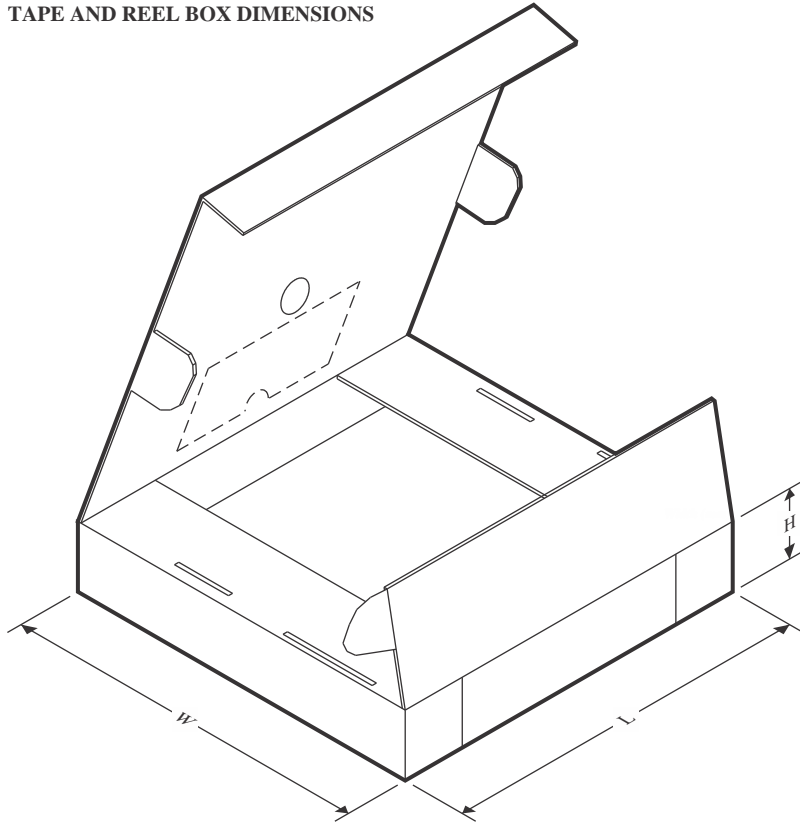
In no event shall TI's liability arising out of such information exceed the total purchase price of the TI part(s) at issue in this document sold by TI to Customer on an annual basis.

TAPE AND REEL INFORMATION

QUADRANT ASSIGNMENTS FOR PIN 1 ORIENTATION IN TAPE

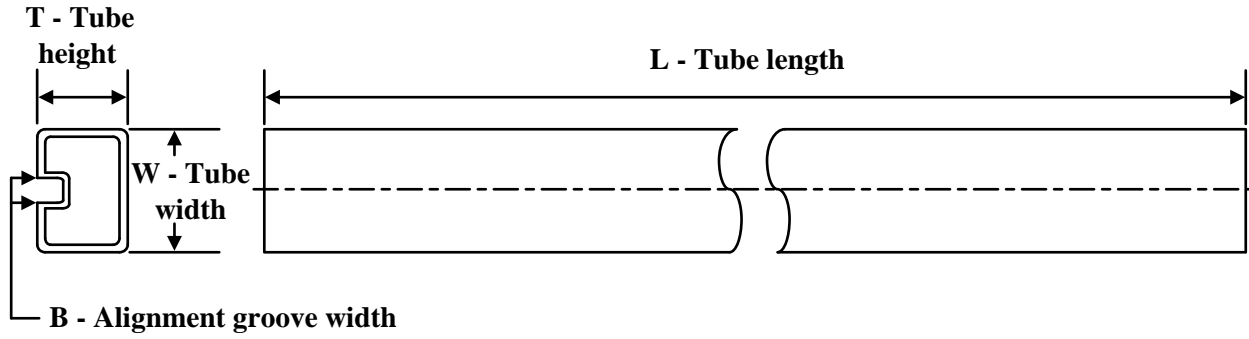

*All dimensions are nominal

| Device | Package Type | Package Drawing | Pins | SPQ | Reel Diameter (mm) | Reel Width W1 (mm) | A0 (mm) | B0 (mm) | K0 (mm) | P1 (mm) | W (mm) | Pin1 Quadrant |
|--------------|--------------|-----------------|------|------|--------------------|--------------------|---------|---------|---------|---------|--------|---------------|
| SN74ALS165DR | SOIC | D | 16 | 2500 | 330.0 | 16.4 | 6.5 | 10.3 | 2.1 | 8.0 | 16.0 | Q1 |

TAPE AND REEL BOX DIMENSIONS


*All dimensions are nominal

| Device | Package Type | Package Drawing | Pins | SPQ | Length (mm) | Width (mm) | Height (mm) |
|--------------|--------------|-----------------|------|------|-------------|------------|-------------|
| SN74ALS165DR | SOIC | D | 16 | 2500 | 340.5 | 336.1 | 32.0 |

TUBE


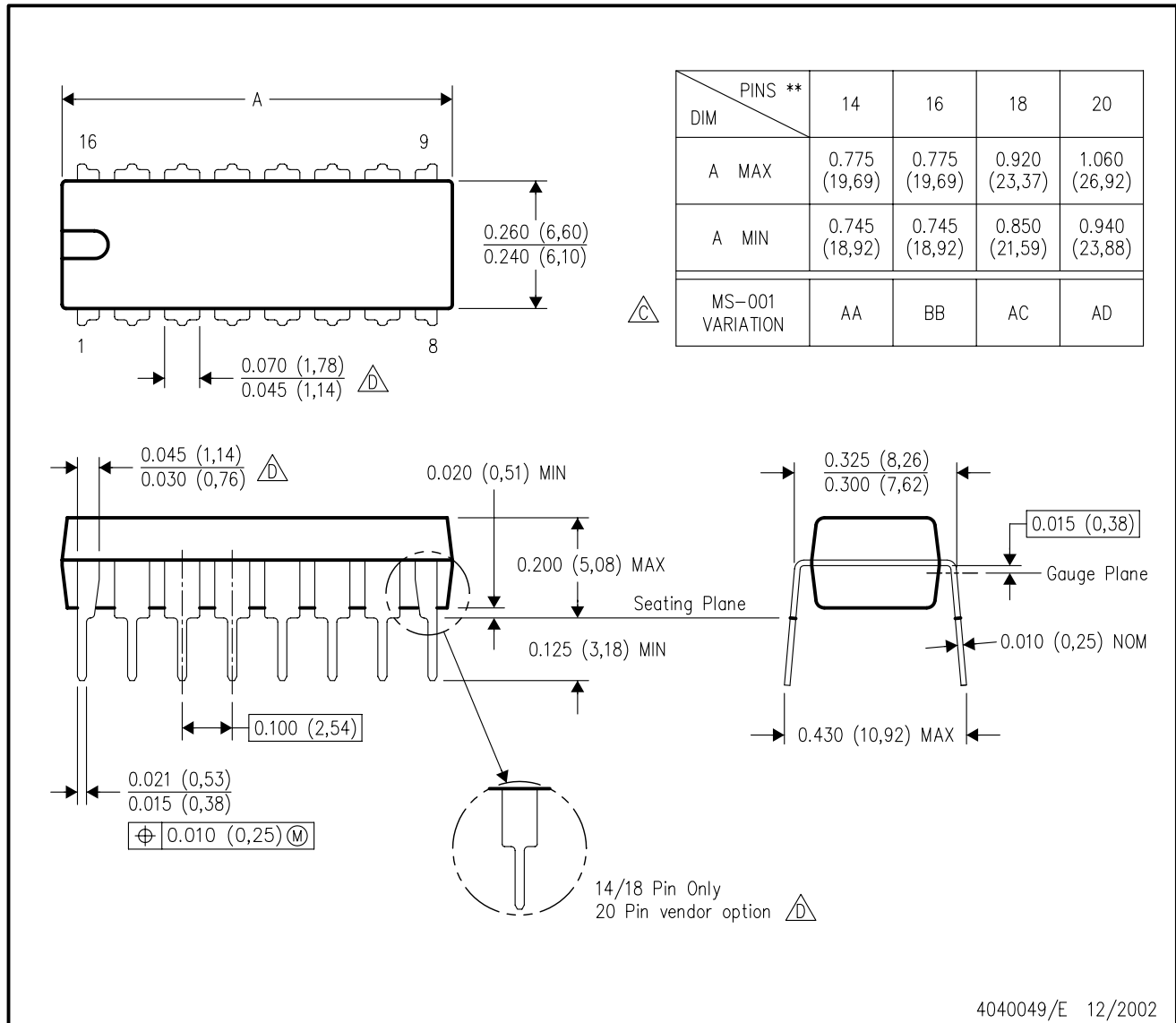
*All dimensions are nominal

| Device | Package Name | Package Type | Pins | SPQ | L (mm) | W (mm) | T (μm) | B (mm) |
|-------------|--------------|--------------|------|-----|--------|--------|--------|--------|
| SN74ALS165D | D | SOIC | 16 | 40 | 507 | 8 | 3940 | 4.32 |
| SN74ALS165N | N | PDIP | 16 | 25 | 506 | 13.97 | 11230 | 4.32 |
| SN74ALS165N | N | PDIP | 16 | 25 | 506 | 13.97 | 11230 | 4.32 |

N (R-PDIP-T**)

PLASTIC DUAL-IN-LINE PACKAGE

16 PINS SHOWN

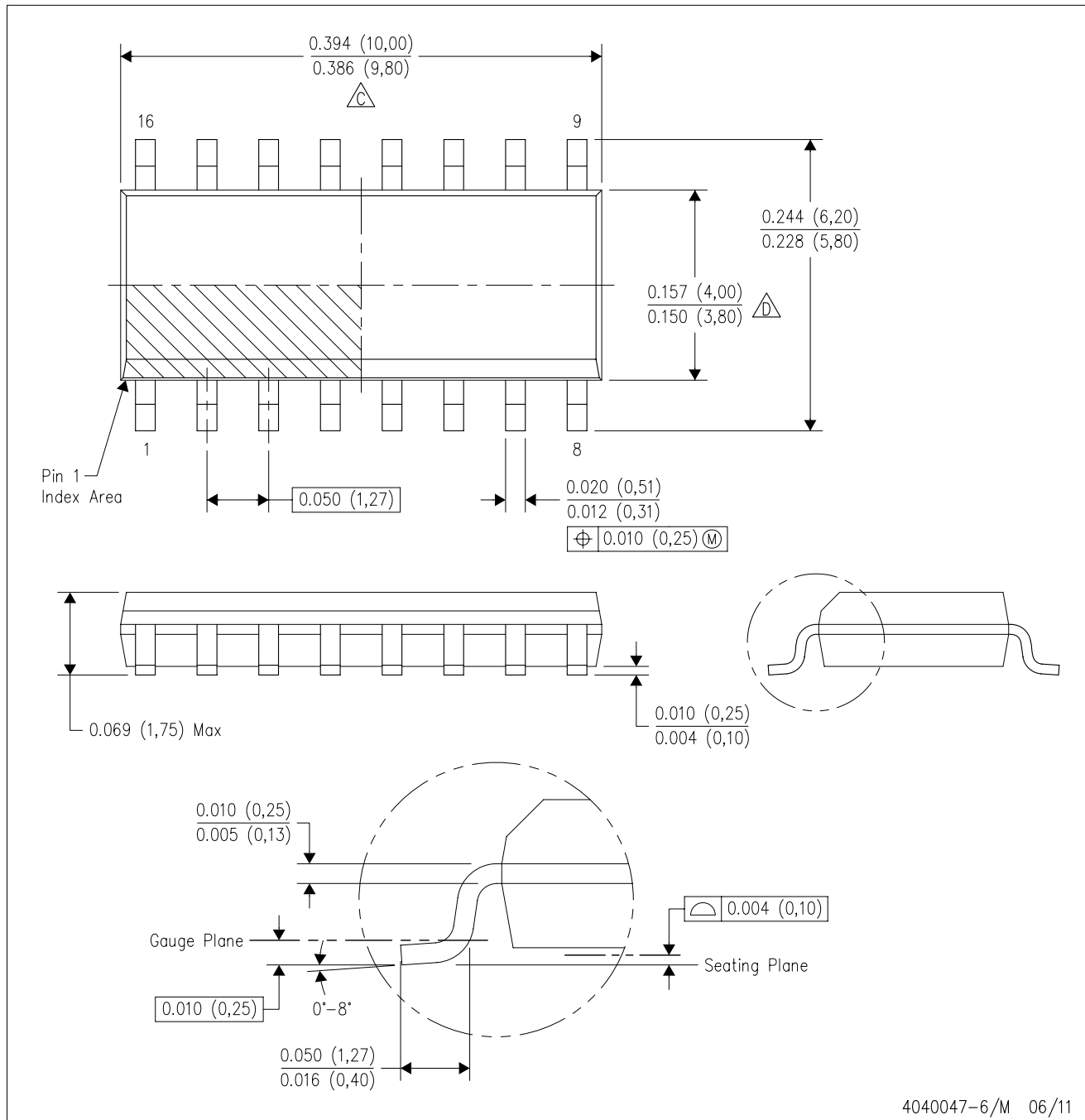


- NOTES:
- A. All linear dimensions are in inches (millimeters).
 - B. This drawing is subject to change without notice.
 - C Falls within JEDEC MS-001, except 18 and 20 pin minimum body length (Dim A).
 - D The 20 pin end lead shoulder width is a vendor option, either half or full width.



4040049/E 12/2002

D (R-PDSO-G16)

PLASTIC SMALL OUTLINE

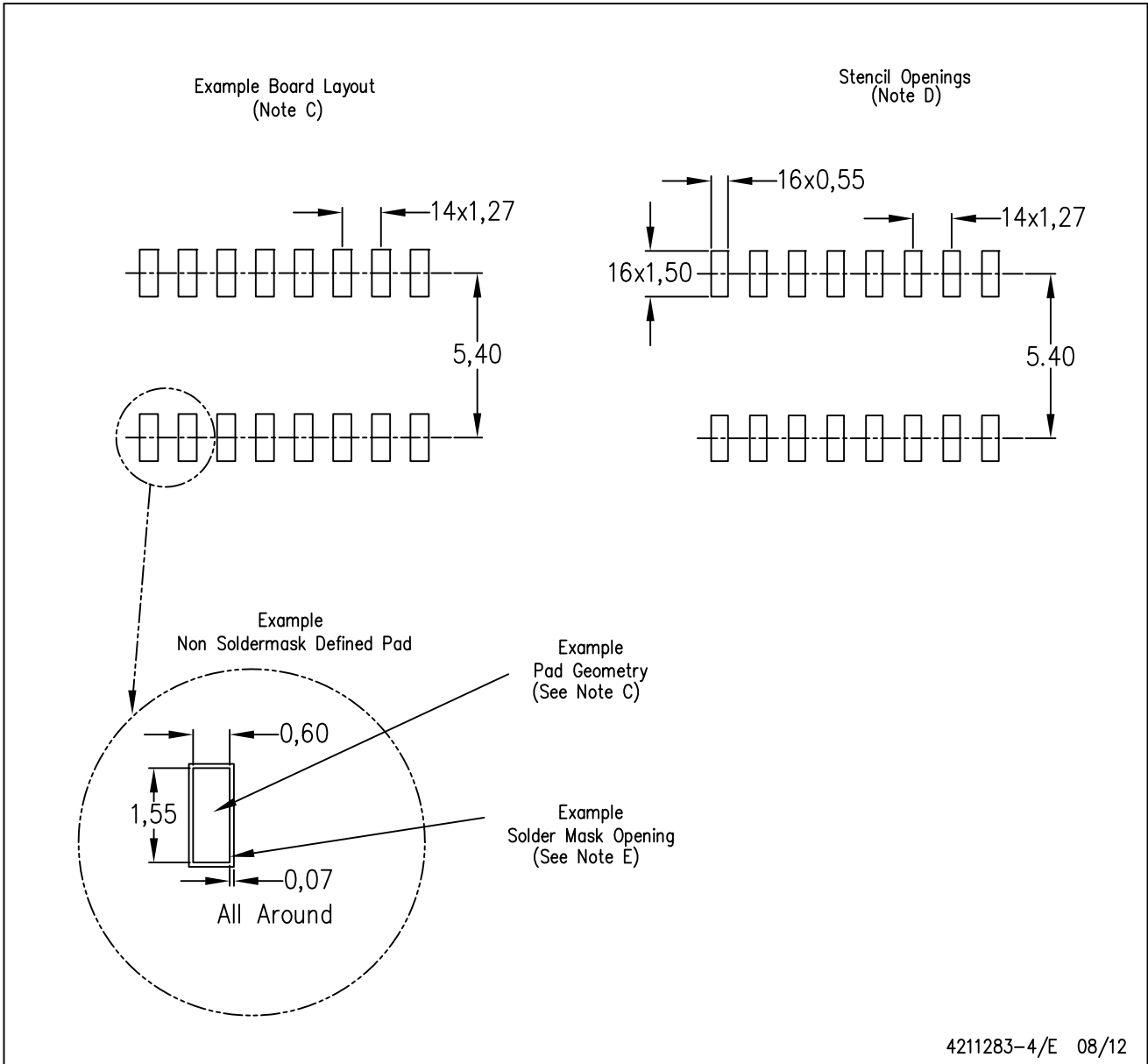


4040047-6/M 06/11

- NOTES:
- A. All linear dimensions are in inches (millimeters).
 - B. This drawing is subject to change without notice.
 -  Body length does not include mold flash, protrusions, or gate burrs. Mold flash, protrusions, or gate burrs shall not exceed 0.006 (0,15) each side.
 -  Body width does not include interlead flash. Interlead flash shall not exceed 0.017 (0,43) each side.
 - E. Reference JEDEC MS-012 variation AC.

D (R-PDSO-G16)

PLASTIC SMALL OUTLINE



- NOTES:
- All linear dimensions are in millimeters.
 - This drawing is subject to change without notice.
 - Publication IPC-7351 is recommended for alternate designs.
 - Laser cutting apertures with trapezoidal walls and also rounding corners will offer better paste release. Customers should contact their board assembly site for stencil design recommendations. Refer to IPC-7525 for other stencil recommendations.
 - Customers should contact their board fabrication site for solder mask tolerances between and around signal pads.

IMPORTANT NOTICE AND DISCLAIMER

TI PROVIDES TECHNICAL AND RELIABILITY DATA (INCLUDING DATA SHEETS), DESIGN RESOURCES (INCLUDING REFERENCE DESIGNS), APPLICATION OR OTHER DESIGN ADVICE, WEB TOOLS, SAFETY INFORMATION, AND OTHER RESOURCES "AS IS" AND WITH ALL FAULTS, AND DISCLAIMS ALL WARRANTIES, EXPRESS AND IMPLIED, INCLUDING WITHOUT LIMITATION ANY IMPLIED WARRANTIES OF MERCHANTABILITY, FITNESS FOR A PARTICULAR PURPOSE OR NON-INFRINGEMENT OF THIRD PARTY INTELLECTUAL PROPERTY RIGHTS.

These resources are intended for skilled developers designing with TI products. You are solely responsible for (1) selecting the appropriate TI products for your application, (2) designing, validating and testing your application, and (3) ensuring your application meets applicable standards, and any other safety, security, regulatory or other requirements.

These resources are subject to change without notice. TI grants you permission to use these resources only for development of an application that uses the TI products described in the resource. Other reproduction and display of these resources is prohibited. No license is granted to any other TI intellectual property right or to any third party intellectual property right. TI disclaims responsibility for, and you will fully indemnify TI and its representatives against, any claims, damages, costs, losses, and liabilities arising out of your use of these resources.

TI's products are provided subject to [TI's Terms of Sale](#) or other applicable terms available either on ti.com or provided in conjunction with such TI products. TI's provision of these resources does not expand or otherwise alter TI's applicable warranties or warranty disclaimers for TI products.

TI objects to and rejects any additional or different terms you may have proposed.

Mailing Address: Texas Instruments, Post Office Box 655303, Dallas, Texas 75265
Copyright © 2022, Texas Instruments Incorporated