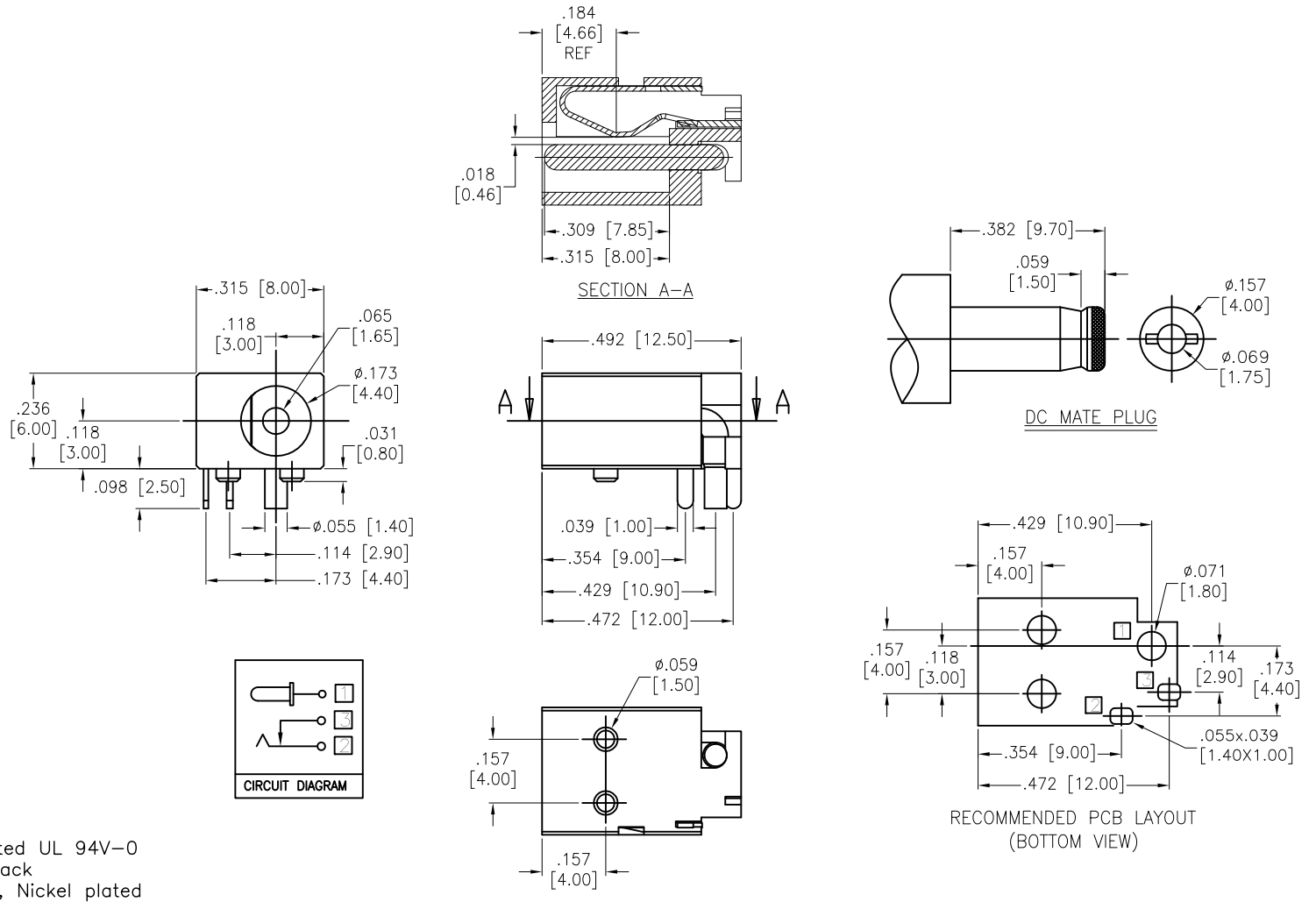


APPROVED: _____
DATE: _____ TITLE: _____

Rev	AWO #	Description	Date	Appr
-		RELEASED	6/10/10	
A		UPDATED DRAWING	5/11/18	HR/RT



SPECIFICATIONS:
 Material:
 Insulator: PBT, rated UL 94V-0
 Insulator color: Black
 Center Pin: Brass, Nickel plated
 Contacts: Copper Alloy
 Plating:
 Silver over Nickel underplate
 Electrical:
 Voltage rating: 20 VDC
 Current rating: 3 Amp
 Contact resistance: 30 mohms max.
 Insulation resistance: 100 Mohms min. @ 500 VDC
 Dielectric withstanding voltage: 500 VAC
 Temperature Rating:
 Operating temperature: -20°C to +70°C
 Environmental:
 Lead free, RoHS compliant



UNLESS OTHERWISE SPECIFIED
 ALL DIMENSIONS ARE INCHES [MM]
 TOLERANCES: EXCEPT AS NOTED

INCHES		HOLES	
.X	± .10	Ø.X	± .10
.XX	± .020	Ø.XX	± .015
.XXX	± .015	Ø.XXX	± .010

APPROVALS		DATE
DRAWN	DY	6/10/10
CHECKED		
APPROVED		

ADAM TECH INTERCONNECTS 909 Rahway Avenue,
 Union, NJ 07083
 Phone: 908-687-5000
 Fax: 908-687-5710

TITLE: **DC POWER JACK, 1.65mm CENTER PIN**

SIZE X	PART NO. ADC-055B-9	REV. A
REF: S00002C	SCALE: NTS	SHEET 1 OF 1

6 5 4 3 2 1

D

C

B

A

6 5 4 3 2 1