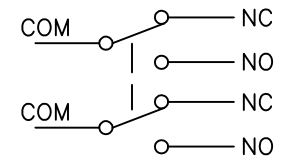
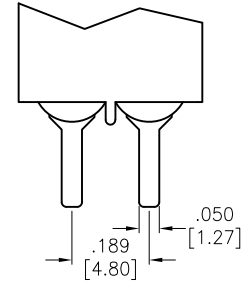
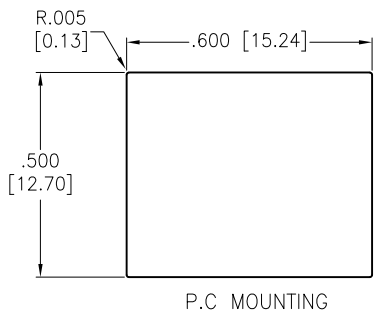
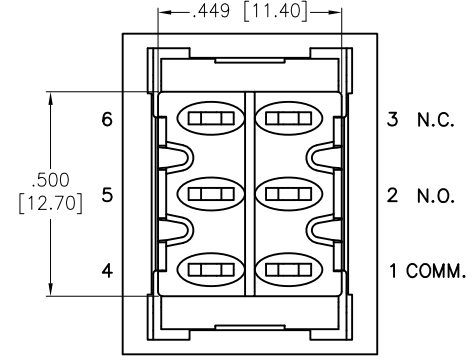
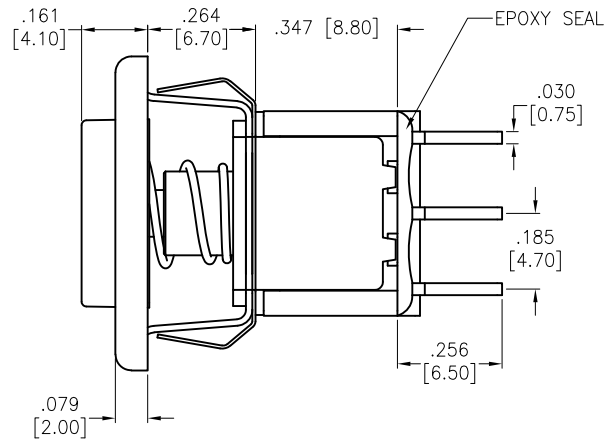
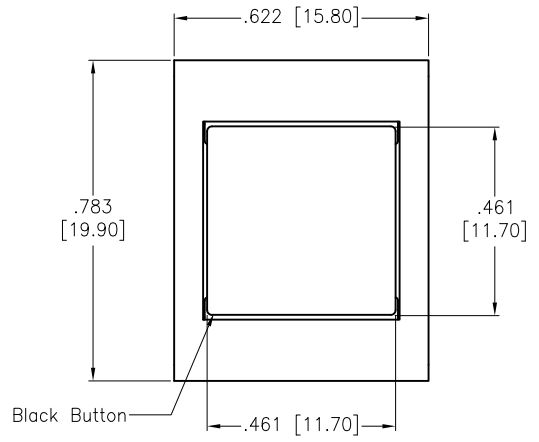


Rev	AWO #	Description	Date	Appr
-		RELEASED	2/17/21	
A		ADDED SPEC.	6/21/21	WX/RC

APPROVED: _____
 DATE: _____ TITLE: _____



CIRCUIT DIAGRAM
(DPDT) ON-MOMENTARY

SPECIFICATIONS:
 Material:
 Movable Contact: Copper Alloy, Silver Plated
 Terminal: Copper Alloy, Silver Plated
 Electrical:
 Voltage rating: 120VAC or 38VDC
 Current rating: 1 Amps
 Contact resistance: 10 mΩ max
 Insulation resistance: 1,000 Mohms min
 Dielectric withstanding voltage: 1,500V RMS @Sea level
 Temperature Rating:
 Operating temperature: -30°C to +85°C
 Environmental:
 Lead free, RoHS compliant



UNLESS OTHERWISE SPECIFIED ALL DIMENSIONS ARE INCHES [MM] TOLERANCES: EXCEPT AS NOTED			
INCHES		HOLES	
.X ± .10	∅X ± .10		
.XX ± .020	∅XX ± .015		
.XXX ± .015	∅XXX ± .010		
APPROVALS		DATE	
DRAWN	LH	2/17/21	
CHECKED	AC	2/17/21	
APPROVED			

ADAM TECH 909 Rahway Avenue,
 Union, NJ 07083
 Phone: 908-687-5000
 Fax: 908-687-5710

TITLE: SNAP-ACTING PUSHBUTTON SWITCH, BLACK FRAME
 DPDT, ON-MOMENTARY, SILVER PLATED, PCB TYPE

SIZE	PART NO.	REV.
X	SW-PB8-BE222QE-1	A

REF: S00198T SCALE: NTS SHEET 1 OF 1

6 5 4 3 2 1

D

D

C

C

B

B

A

A

6 5 4 3 2 1