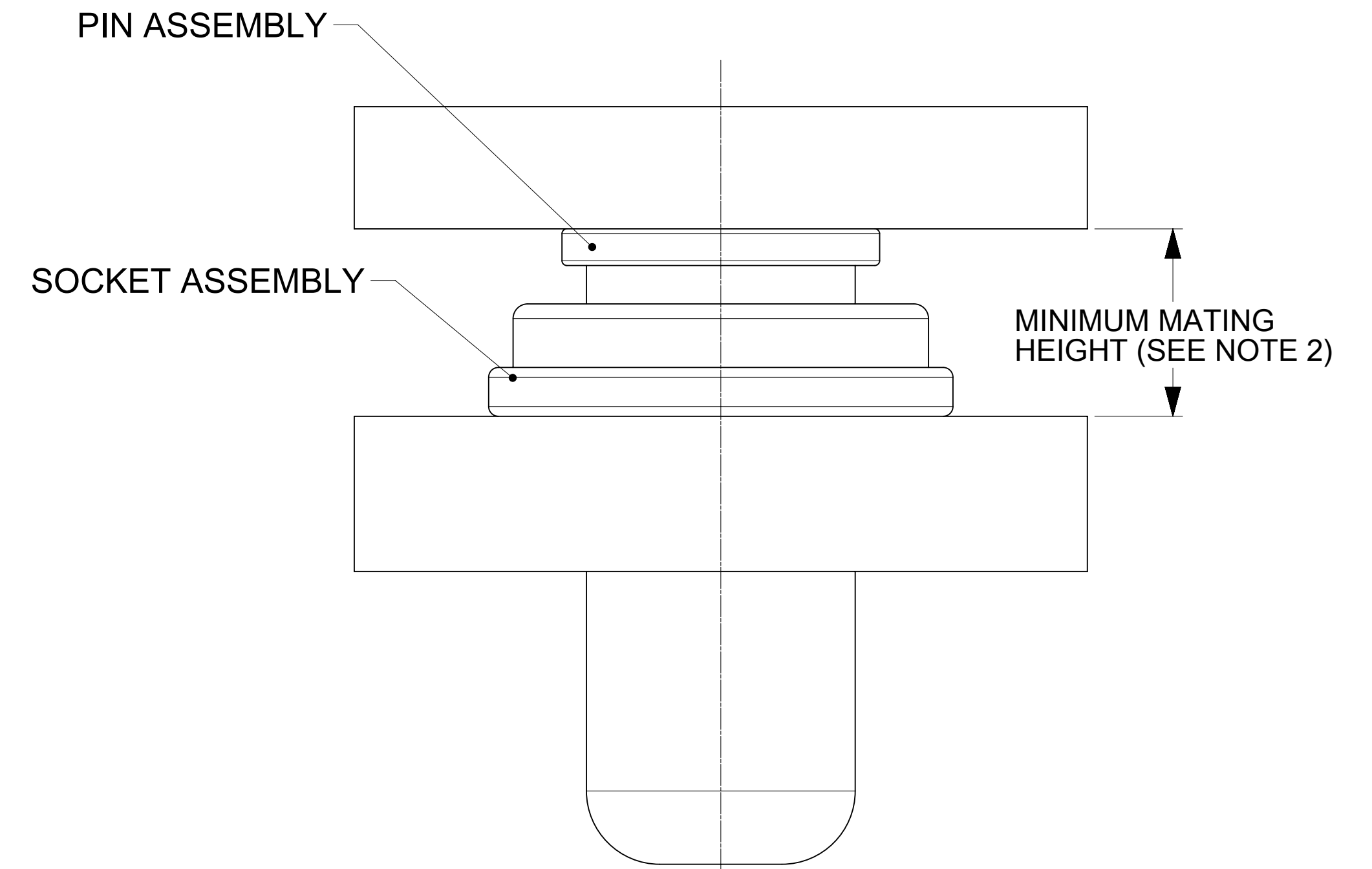
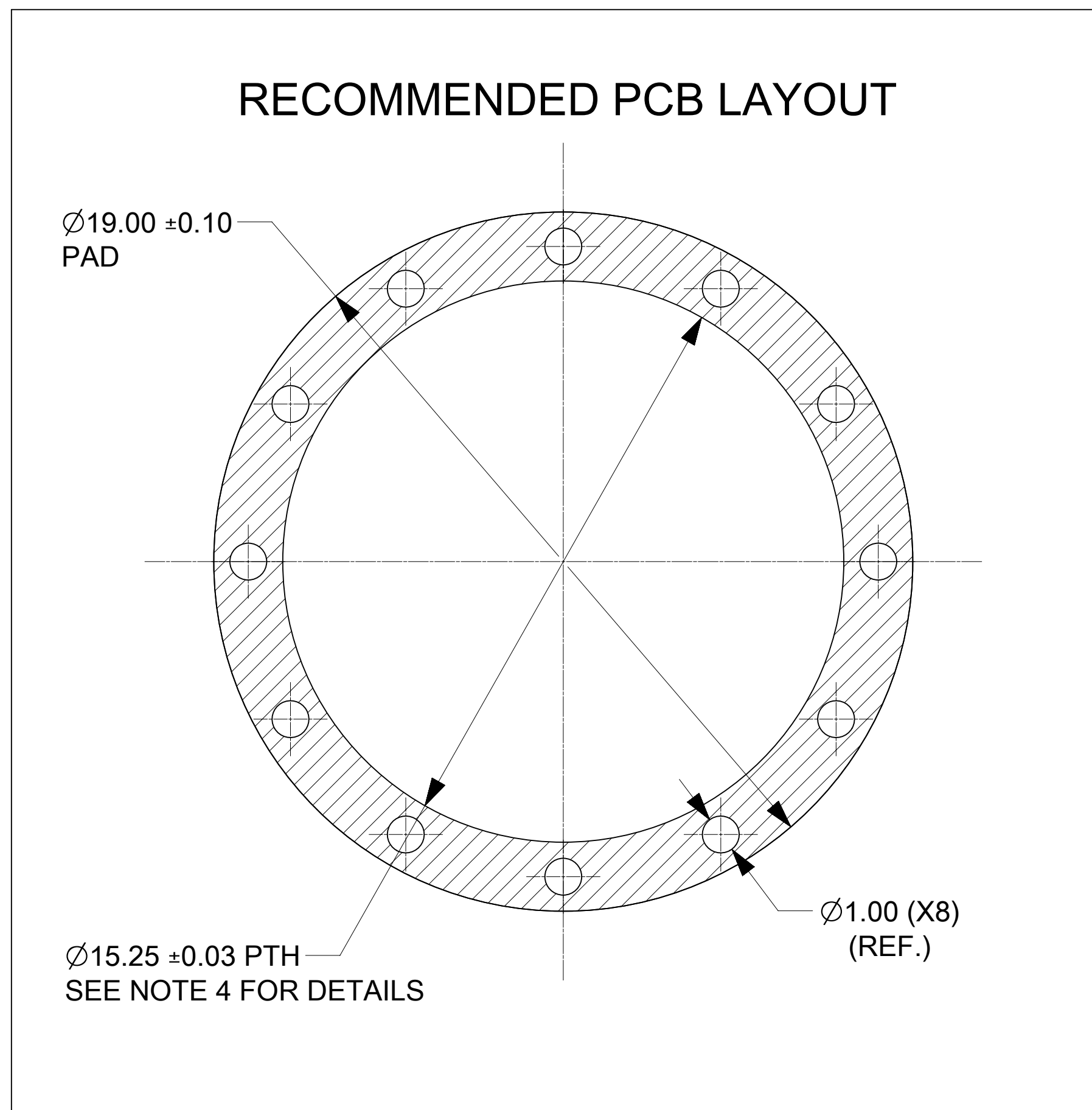
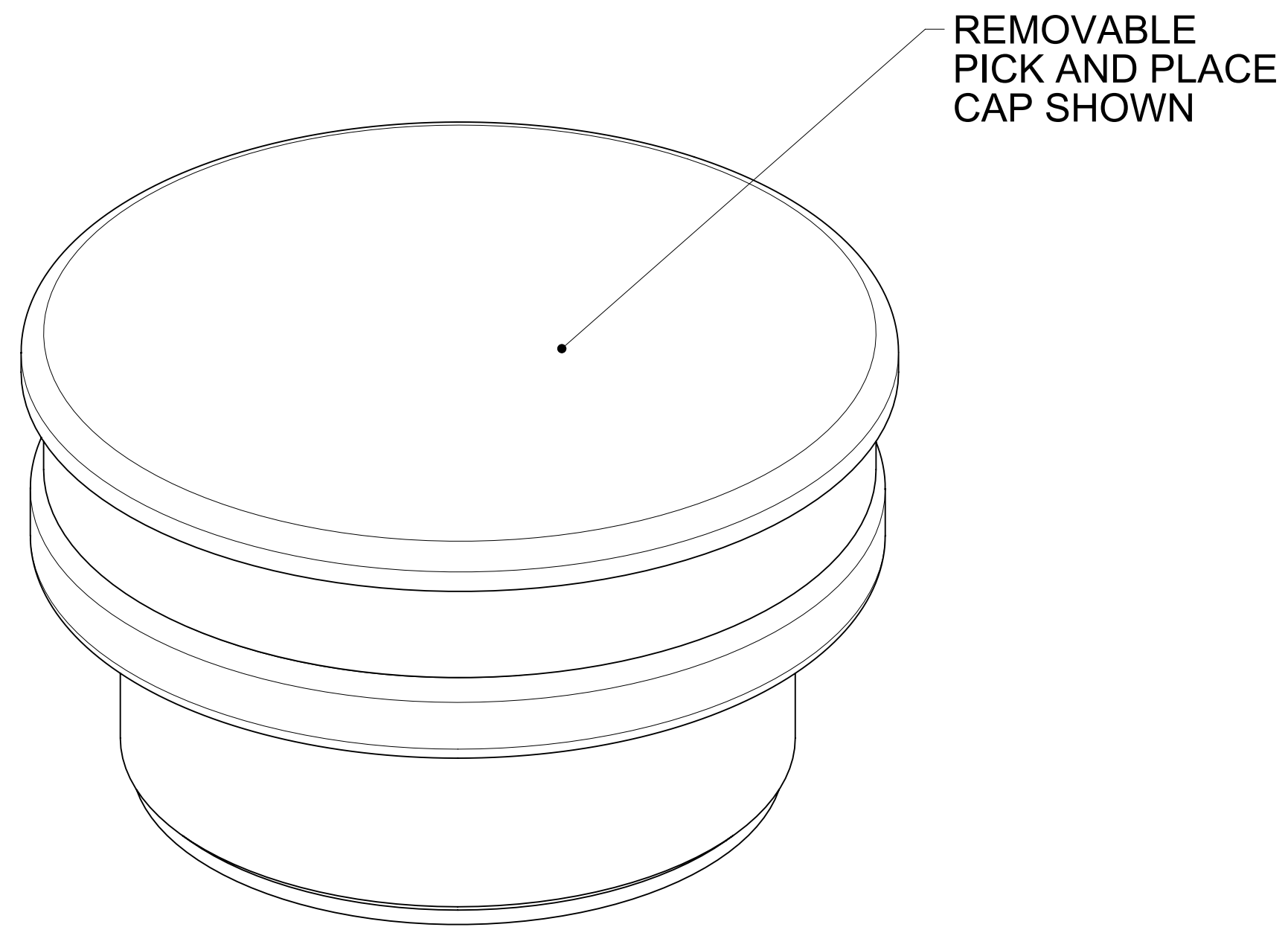
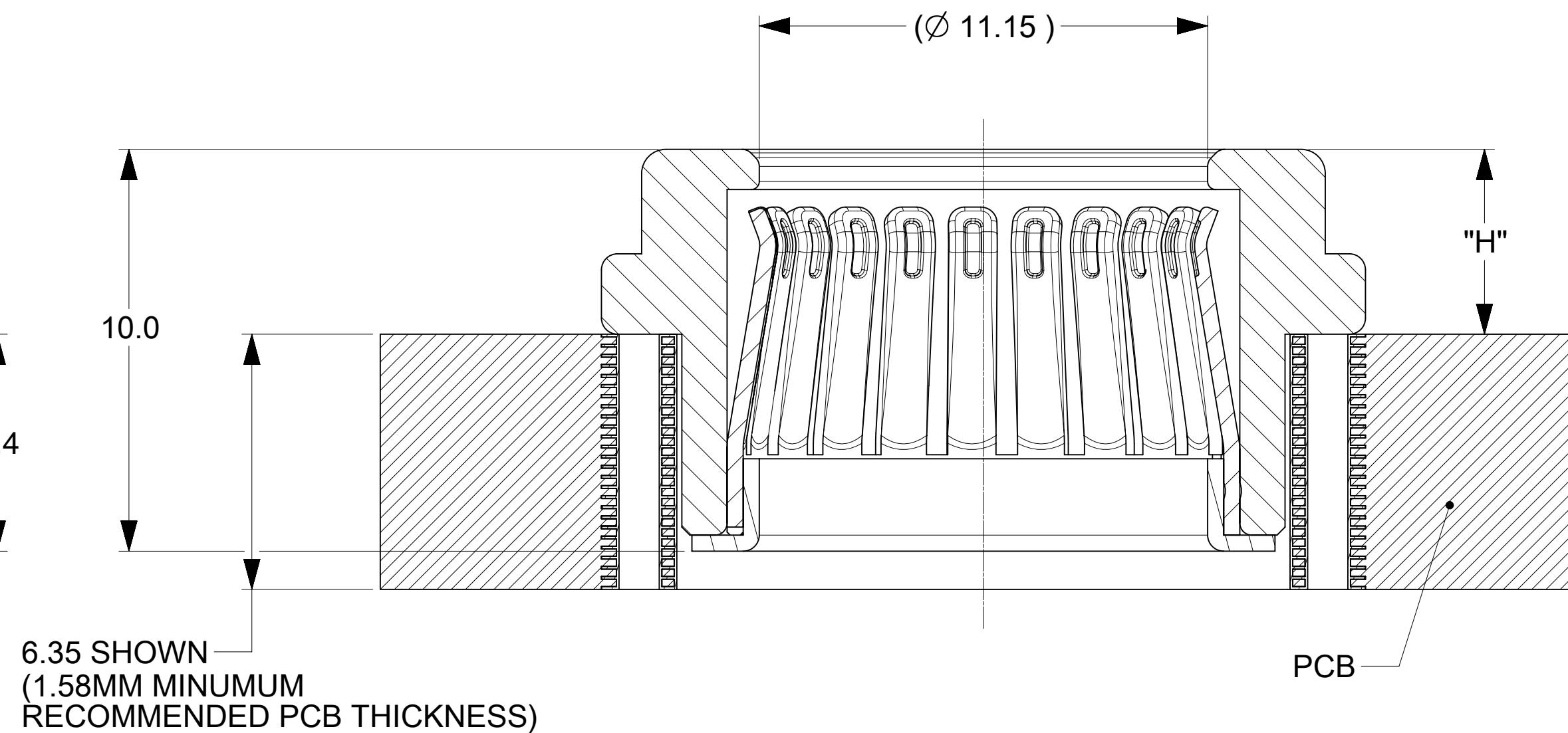
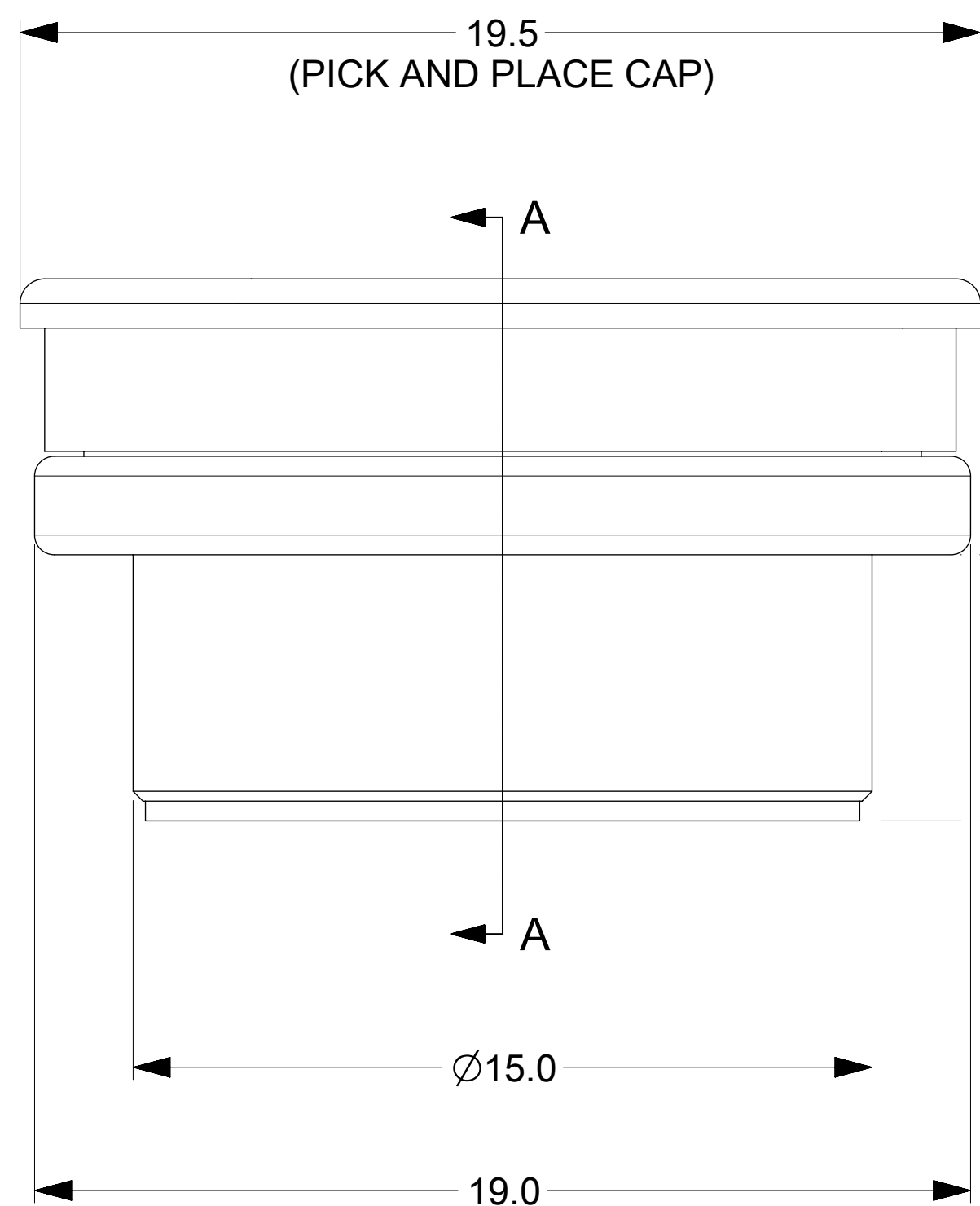


PART NUMBER	DIM "H"	NOTE
213953-0001	4.60 ± 0.15	



MATING PROFILE



SECTION A-A
(PICK AND PLACE CAP NOT SHOWN)

NOTES:

1. MATERIALS:
 RETENTION CAP: STAINLESS STEEL
 PICK AND PLACE CAP: LCP UL94, V-0 COLOR BLACK
 BASE METAL: HIGH CONDUCTIVE COPPER ALLOY
 PLATING ON CONTACTS: 0.75 MICRON MIN GOLD OVER 1.27 MICRON MIN NICKEL
 PLATING ON BODY: 3.18 MICRON MIN SILVER OVER 1.27 MICRON MIN NICKEL
2. MATES WITH MOLEX 11MM MALE PIN:
 - i. 11.0MM SMT MALE PIN DRAWING 213901-0000-SD, MIN. MATING DISTANCE 7.32MM
 - ii. 11.0MM PRESS FIT MALE PIN DRAWING 213900-0000-SD, MIN. MATING DISTANCE 7.67MM
 - iii. 11.0MM SCREW MOUNT MALE PIN DRAWING 213902-0000-SD MIN. MATING DISTANCE 10.67MM
3. PRODUCT SPECIFICATION: 2138800001-PS
4. APPLICATION SPECIFICATION: 2138800001-AS
 SEE APPLICATION SPEC FOR SOLDERING INFORMATION.
5. PACKAGING SPECIFICATION: 2139530001-PK(TAPE AND REEL)
6. SILVER COMPONENTS WILL BE SUPPLIED TARNISH FREE BUT MAY TARNISH OVER TIME.
7. PICK AND PLACE CAP TO BE REMOVED AFTER SOLDERING. CAP TO BE PULLED OUT FROM THE TOP.

THIS DRAWING CONTAINS INFORMATION THAT IS PROPRIETARY TO MOLEX ELECTRONIC TECHNOLOGIES, LLC AND SHOULD NOT BE USED WITHOUT WRITTEN PERMISSION												
DIMENSION UNITS	SCALE	CURRENT REV DESC: UPDATED THE TOLERANCE VALUE AND THE TITLE BLOCK						molex				
mm	NTS	EC NO: 747243 DRWN: SOURAJ 2023/02/20 CHK'D: SCS02 2023/04/25 APPR: HTHYAGARAJ 2023/04/26						11.0MM CENTRALITY TOP ENTRY SMT STANDARD SOCKET IN T&R				
GENERAL TOLERANCES (UNLESS SPECIFIED)		INITIAL REVISION: DRWN: TOMLU 2020/02/11 APPR: BPISZCZOR 2020/10/16						PRODUCT CUSTOMER DRAWING				
ANGULAR TOL	± 0.5°	DOCUMENT NUMBER						DOC TYPE	DOC PART	REVISION		
4 PLACES	±	2139530000-SD						PSD	000	A2		
3 PLACES	±	MATERIAL NUMBER						CUSTOMER				
2 PLACES	± 0.15	DRAFT WHERE APPLICABLE MUST REMAIN WITHIN DIMENSIONS						THIRD ANGLE PROJECTION	DRAWING	SERIES	SHEET NUMBER	
1 PLACE	± 0.25	D-SIZE		213953		SEE CHART		GENERAL MARKET		1 OF 1		
0 PLACES	±											