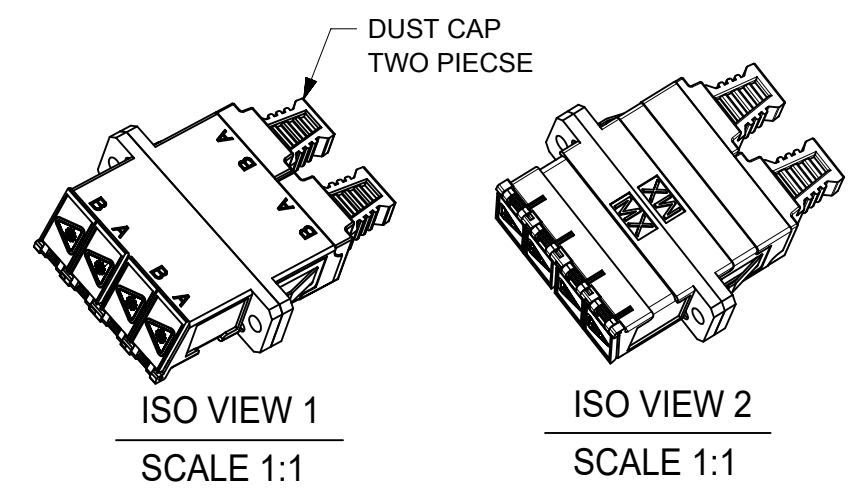
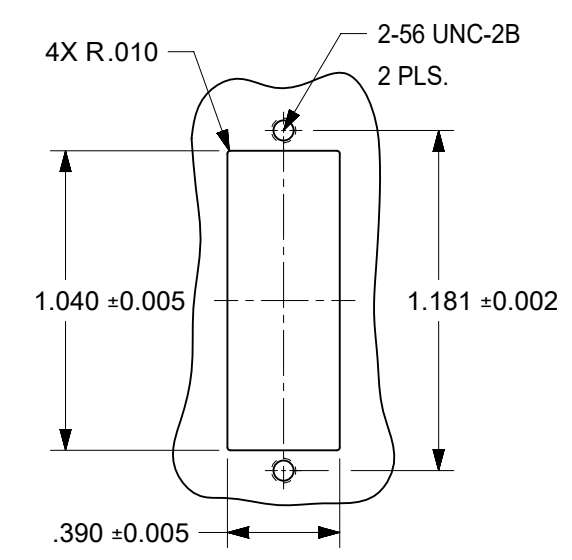
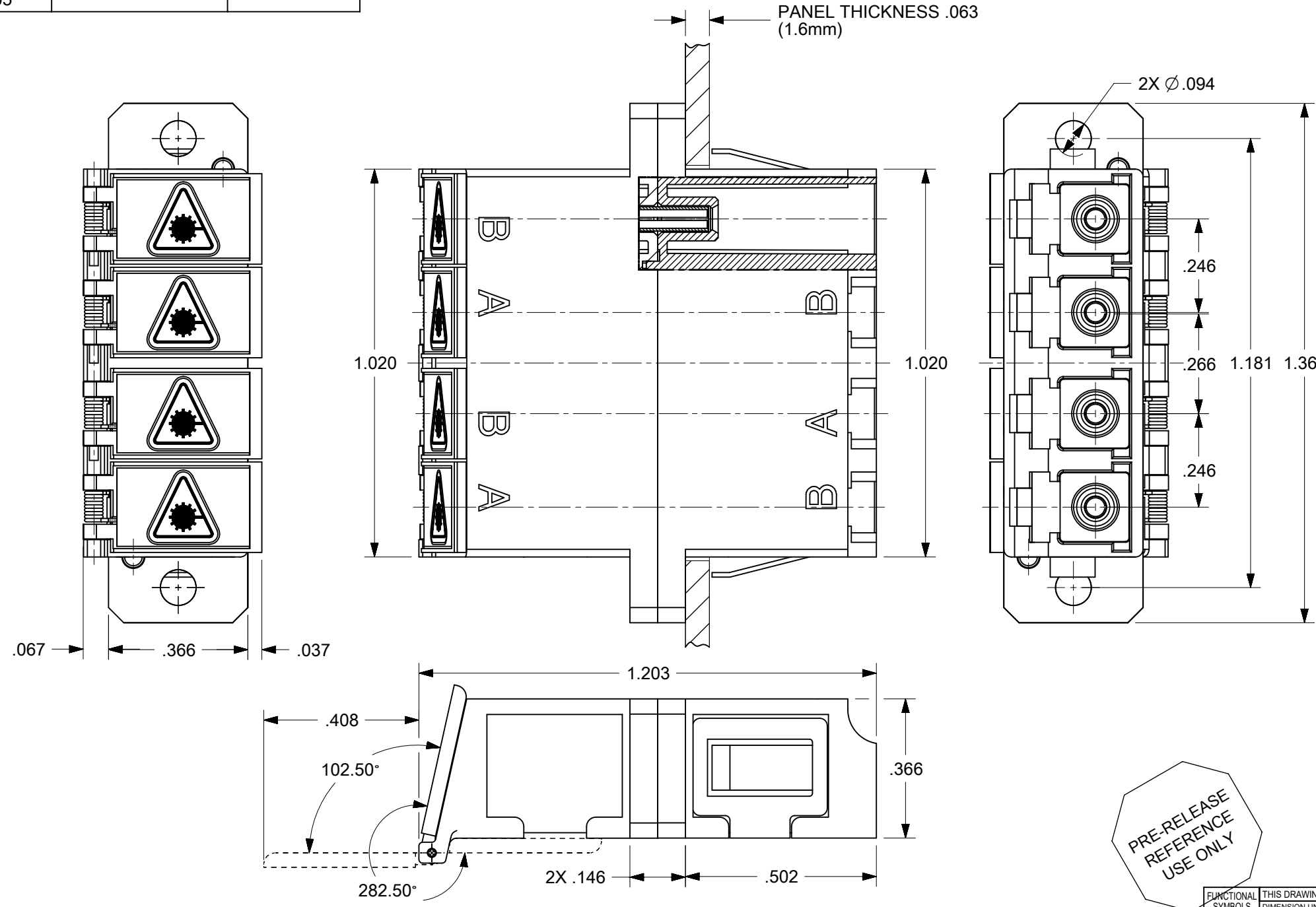


LC QUAD ADAPTER P/N	LC QUAD ADAPTER COLOR	SPLIT SLEEVE MATERIAL
106123-0200	BLUE	ZR
106123-0205*		
106123-1200	BEIGE	
106123-1205*		
106123-2200	GREEN	
106123-3200	AQUA	
106123-3205*		



PRE-RELEASE REFERENCE USE ONLY

NOTES:  
 1. ALL DIMENSIONS ARE FOR REFERENCE  
 2. DUST CAPS NOT SHOWN ON FRONT, BOTTOM AND RIGHT VIEW.  
 3. LC QUAD ADAPTER HAS SC DUPLEX ADAPTER FOOTPRINT.  
 \*4.P/NS MARKED WITH(\*) ARE BULK PACKED IN QUANTITIES OF 100PCS

THIS DRAWING CONTAINS INFORMATION THAT IS PROPRIETARY TO MOLEX ELECTRONIC TECHNOLOGIES, LLC AND SHOULD NOT BE USED WITHOUT WRITTEN PERMISSION									
FUNCTIONAL SYMBOLS	DIMENSION UNITS	SCALE	CURRENT REV DESC:						
▽ = 0	INCH	4:1	EC NO: 689237						
▽ = 0	GENERAL TOLERANCES (UNLESS SPECIFIED)		DRWN: JHUANG18 2021/12/10						
▽ = 0	ANGULAR TOL ± °		CHKD: IGUMIN 2021/12/21						
DIVISIONAL SYMBOLS	4 PLACES	±	APPR: IGUMIN 2021/12/21						
	3 PLACES	±	INITIAL REVISION:						
	2 PLACES	±	DRWN: PGIPLIN 2005/12/06						
	1 PLACE	±	APPR: IGUMIN 2005/12/06						
	0 PLACES	±	DRAFT WHERE APPLICABLE MUST REMAIN WITHIN DIMENSIONS						
	THIRD ANGLE PROJECTION	DRAWING	SERIES	MATERIAL NUMBER	CUSTOMER	SHEET NUMBER			
		B-SIZE	106123	SEE TABLE	GENERAL MARKET	1 OF 1			

**molex**

LC QUAD ADAPTER WITH SHUTTERS (SCREW AND SNAP MOUNT)

PRODUCT CUSTOMER DRAWING

DOCUMENT NUMBER: SD-106123-X200  
 DOC TYPE: PSD  
 DOC PART: 001  
 REVISION: B

DOCUMENT STATUS	RELEASE DATE
-----------------	--------------