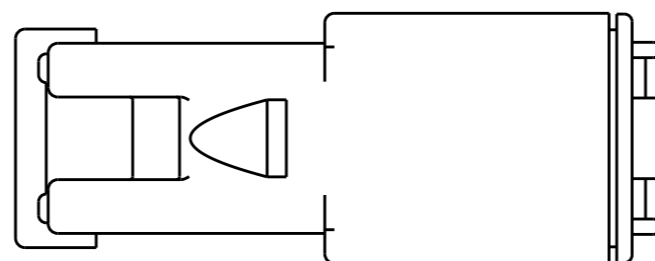
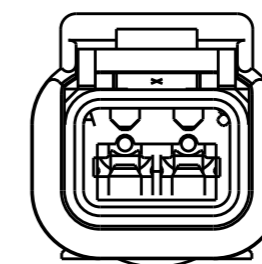
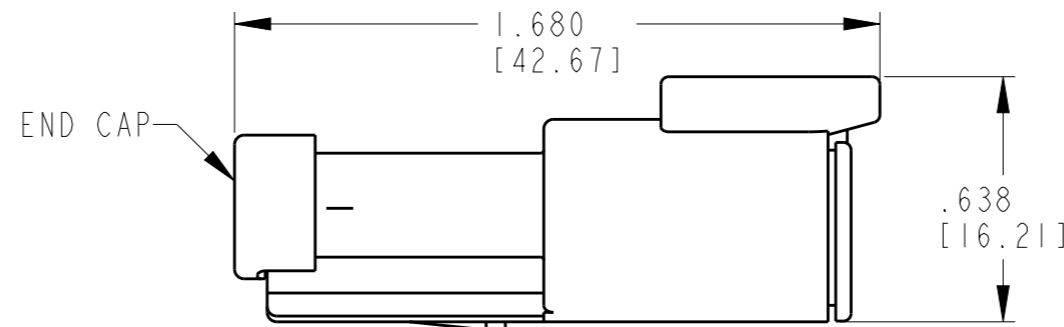
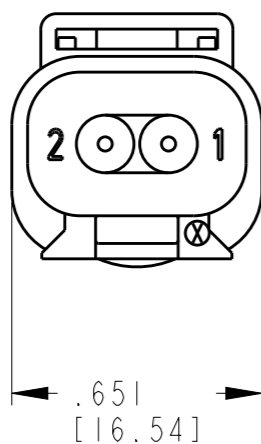
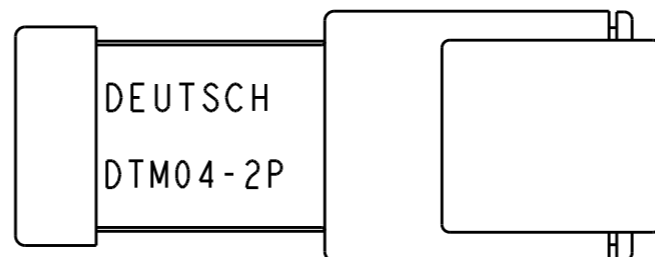
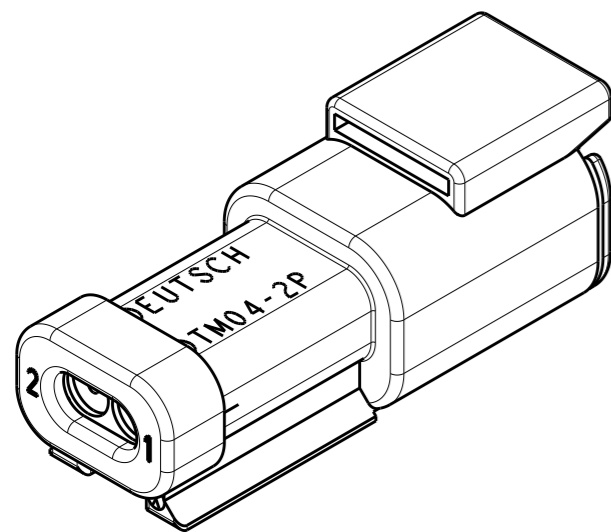


THIS DRAWING IS UNPUBLISHED  
 © COPYRIGHT 2018 BY TE CONNECTIVITY ALL RIGHTS RESERVED.  
 RELEASED FOR PUBLICATION 2018

LOC	DIST	REVISIONS			
P	LTR	DESCRIPTION	DATE	DWN	APVD
-	-	A1	REVISED PER PCN E-18-000990	16JAN2018	SS DM
		A2	REVISED PER PCN E-19-004978	27MAR2019	AJ DM



TE INTERNAL PN	DEUTSCH PN
DTM04-2P-E003	DTM04-2P-E003

4. MATERIAL - HOUSING/END CAP: PA66 GF15 (GRAY)  
 GROMMET: VMQ (RED-ORANGE).
3. THIS RECEPTACLE MATES WITH DTM06-2S-XXXX PLUG.  
 (XXXX = ALL MODIFICATIONS)
2. FOR CONTACT AND WIRE PERFORMANCE AND APPLICATION CHARACTERISTICS SEE ENVELOPE DRAWING 0425-015-0000
1. SECONDARY WEDGE LOCK SOLD SEPARATELY: WM-2P, WM-2PX.  
 (X= A,B,C,D KEYS)

CONTACT SIZE	MIN. INSUL. O.D.	MAX. INSUL. O.D.	WIRE RANGE [mm <sup>2</sup> ] REF ONLY
20	.053 [1.35]	.120 [3.05]	16-20 AWG [1.0-0.5]

NOTES:

THIS DRAWING IS A CONTROLLED DOCUMENT.		DWN S. ZERMENO 22MAY2011		
DIMENSIONS: INCHES [mm]		CHK B. BYFORD 27JUN2011		
TOLERANCES UNLESS OTHERWISE SPECIFIED:		APVD S. BEARD 20JUN2011	NAME RECEPTACLE W/END CAP	
0 PLC ±		PRODUCT SPEC 108-151010	2 CONTACTS, SIZE 20 E003 MOD	
1 PLC ±		APPLICATION SPEC -	DTM SERIES	
2 PLC ±		WEIGHT 5.6 GR	SIZE A3	RESTRICTED TO -
3 PLC ±.025 [0.64]		CUSTOMER DRAWING	CAGE CODE 4AFU8	DRAWING NO. DTM04-2P-E003
4 PLC ±		SCALE 4:1	SHEET 1 OF 1	REV A2
ANGLES ±				
FINISH -				