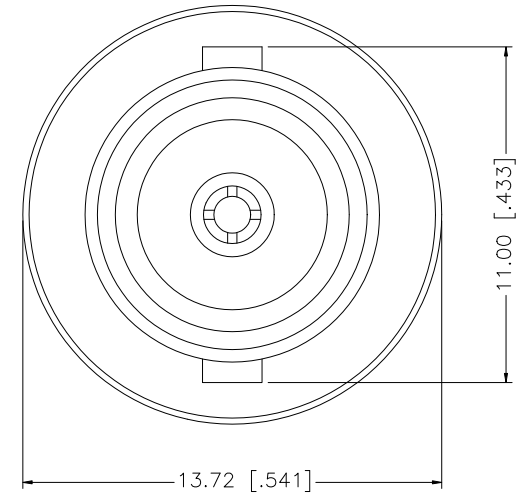
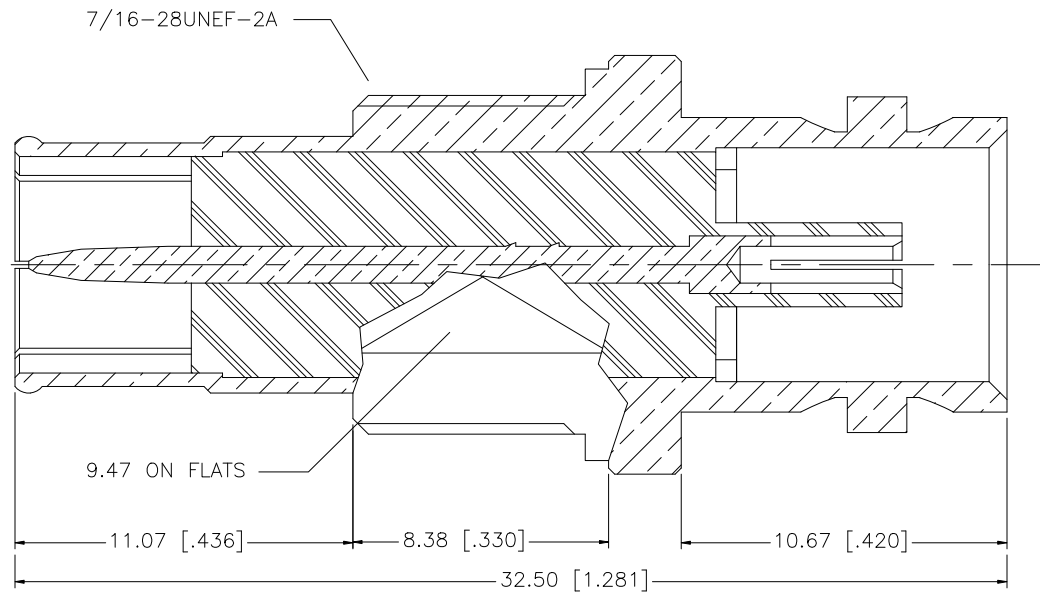


REV.	DATE	DESCRIPTION
NC	06/25/07	INITIAL RELEASE



8					<p>UNLESS OTHERWISE SPECIFIED DIMENSIONS ARE IN MILLIMETERS. DIMENSIONS IN [] ARE IN INCHES AND FOR CUSTOMER REFERENCE ONLY.</p> <p>UNLESS OTHERWISE SPECIFIED TOLERANCES FOR MILLIMETERS ARE: 0.5 - 8mm ± 0.20mm 8 - 30mm ± 0.40mm 30 - 120mm ± 0.50mm</p> <p>UNLESS OTHERWISE SPECIFIED TOLERANCES FOR INCHES ARE: .020 - .315 = ± 0.007" .315 - 1.180 = ± 0.015" 1.180 - 4.724 = ± 0.020"</p> <p>DO NOT SCALE DRAWING</p>	APPROVALS	DATE	<h1 style="color: blue;">Amphenol Connex</h1>			
7				DRAWN		G.R.S.	06/25/07				
6				CHECKED				PART DESCRIPTION BNC MALE PUSH ON TO BNC JACK ADAPTER			
5				ISSUED							
4				SHEET	1 OF 1		PART NO. 242230-75				
3	CONTACT PIN	PHOS. BRONZE	GOLD	1							
2	INSULATOR	TEFLON	NATURAL	1			DWG. NO. 242230-75.DWG				
1	BODY	BRASS	NICKEL	1							REV. NC
	DESCRIPTION	MATERIAL	FINISH	QTY	CAD FILE C:/242/242230-75.DWG						