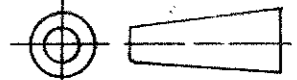


REVISIONS				
LTR	DESCRIPTION	DATE	DWN	APRD
E	ECR-06-012362	23-05-06	BM	JB
F	ECO-13-002459	04MAR2014	AP	RP

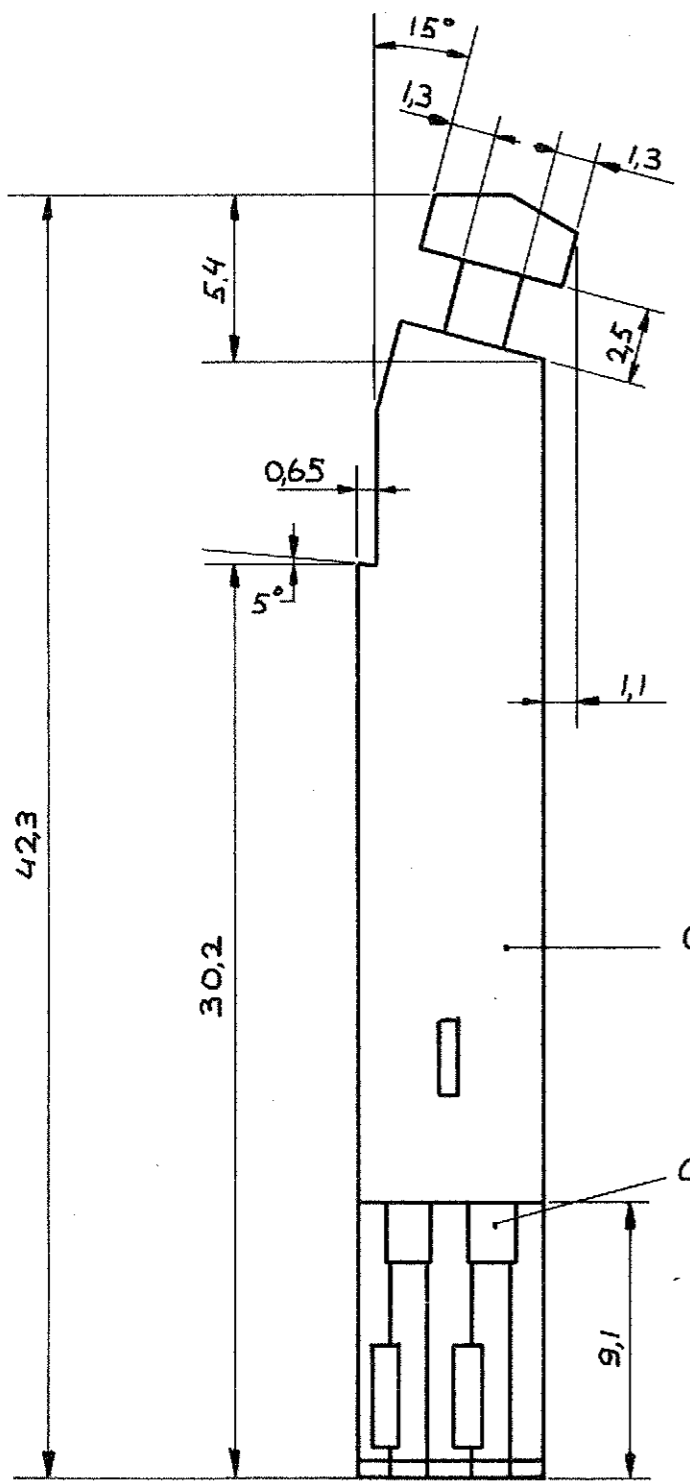
DO NOT SCALE

METRIC

THIRD ANGLE PROJECTION

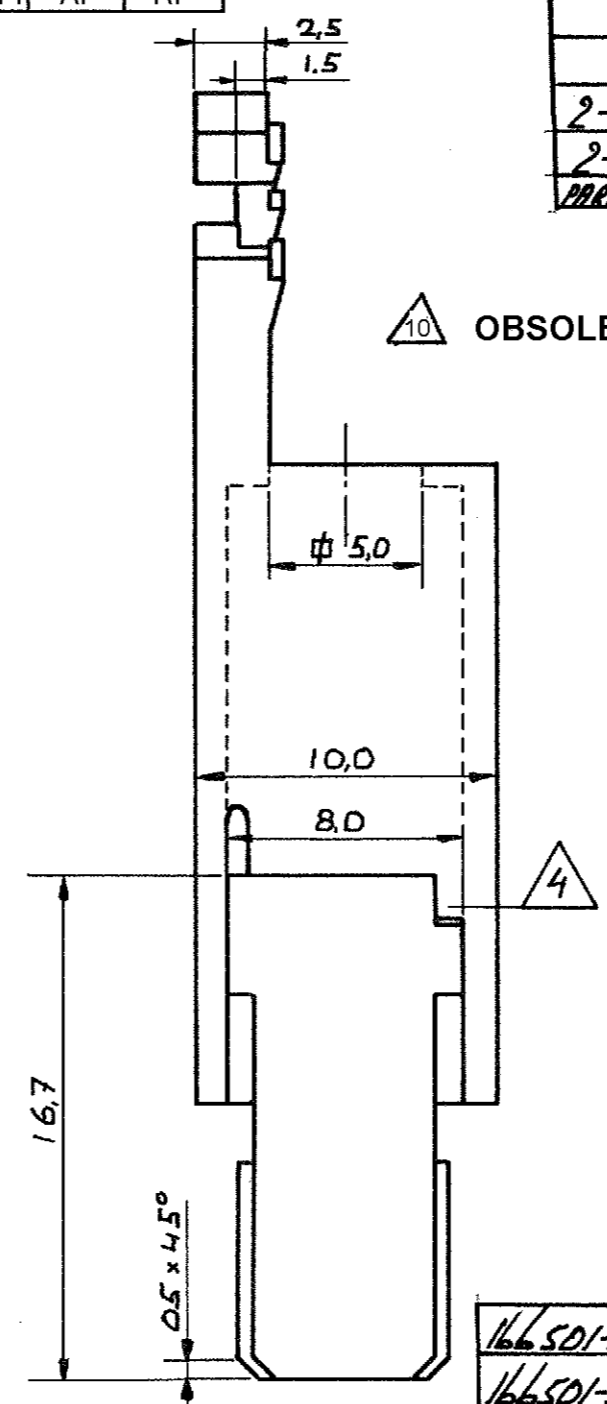
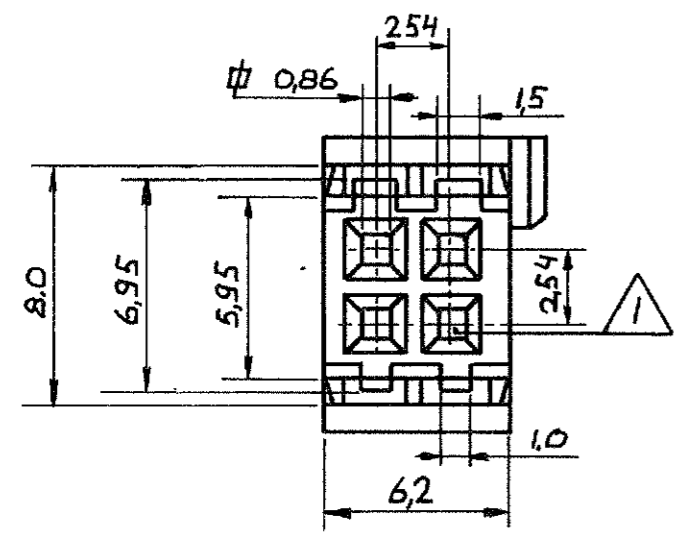


DIMENSIONS IN mm



COVER 166495-1

CONNECTOR 166501-...
(SEE TABLE)



10 OBSOLETE.

PARTNUMBER CONNECTOR	FINISH	MATERIAL	PARTNUMBER
166501-1	SEE NOTE 16	SEE NOTE	167234-3
166501-4	SEE NOTE 16	SEE NOTE	167234-2
2-166501-5	SAME AS -5	2	2-167234-5
2-166501-6	SAME AS -6	10	2-167234-6

NOTES:

- 16 PLATING CONTACTS SAME AS -1, ONLY 0.8um Au.
- 17 PLATING CONTACTS SAME AS -1, ONLY 1.25um Au.

NOTES

- 1 ALL CAVITIES LOADED WITH CONTACTS.
- 2 MATERIALS:
HOUSING: THERMO PLASTIC POLYESTER GLASSFILLED, COLOUR: GREY
COVER: THERMO PLASTIC POLYESTER GLASSFILLED, COLOUR: BLACK
CONTACT: PHOSPHOR BRONZE.
- 3 CONTACT AREA: 20um GOLD OVER 125um Ni
TERMINATION AREA: TIN
- 4 TWO POLARISING OPENINGS FOR COVER. ONLY IN OUTER WALLS AT SIDE OF NARROW RIBS ONLY
- 5 PLATING CONTACTS SAME AS -1, ONLY 1.3um Au OVER 125um Ni.
- 6 PLATING CONTACTS SAME AS -1, ONLY 10um Au OVER 125um Ni.
- 7 CONNECTOR PRINTED WITH DATE CODE, WIRE SIZE AND GOLDPLATING THICKNESS.

PARTNUMBER CONNECTOR	FINISH	MATERIAL	PART NUMBER
166501-6	SEE NOTE 16	SEE NOTE	167234-6
166501-5	SEE NOTE 16	2	167234-5
166501-2	SEE NOTE 16		167234-1

CUSTOMER DRAWING FOR REFERENCE ONLY WILL NOT BE UPDATED	TE TE Connectivity	
	THIS DRAWING IS UNPUBLISHED RELEASED FOR PUBLICATION	
© COPYRIGHT 19 BY AMP-HOLLAND B.V. ALL INTERNATIONAL RIGHTS RESERVED. AMP PRODUCTS MAY BE COVERED BY U.S. AND FOREIGN PATENTS AND/OR PATENTS PENDING.		
DR. M.VAES 23.9.82	WIRE RANGE AWG 26-22	NAME 2x2 POS CABLE CONNECTOR KIT ASSEMBLY
CHK. [Signature] 30/9/82	INSUL. RANGE	REV. DATE D M Y 04 03 14
APP. [Signature] 5.10.82	SIZE A3	SHEET OF
DRAWING NO C-167234		REV. LTR. F