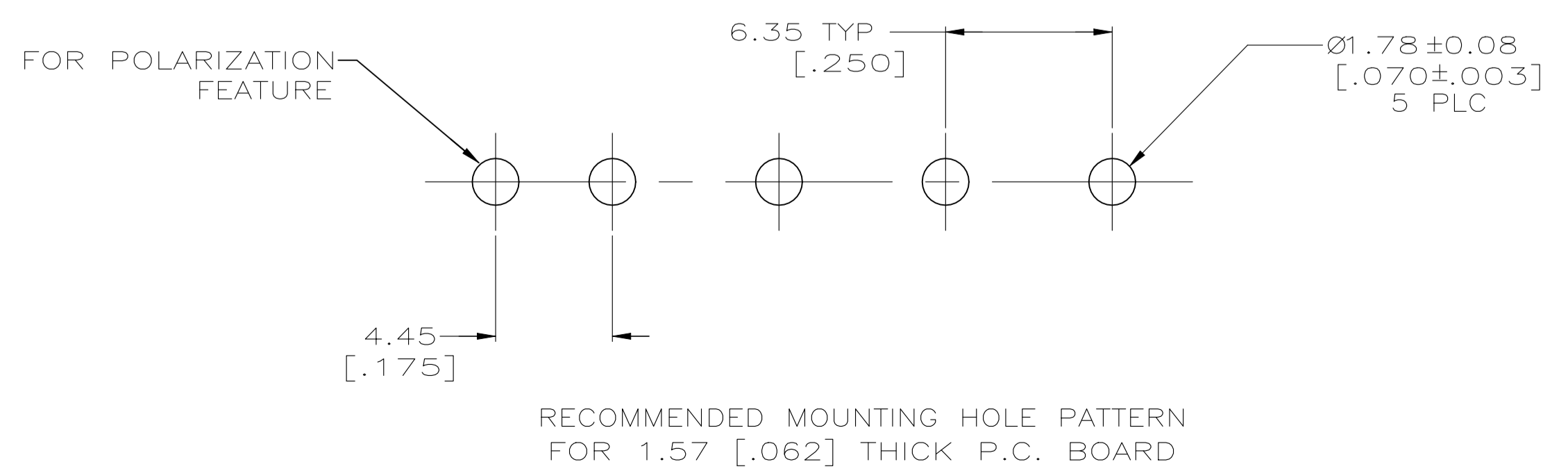
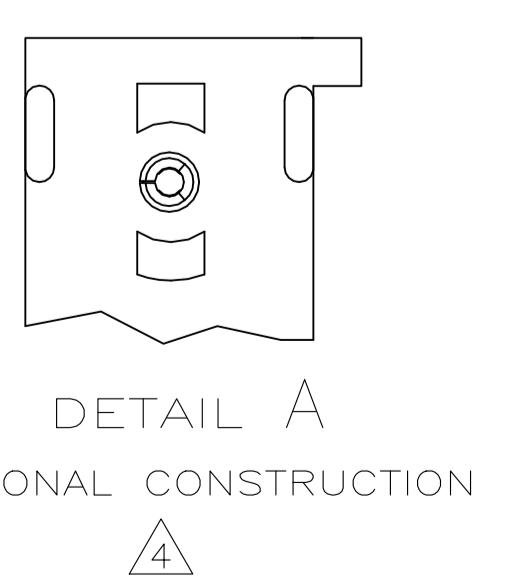
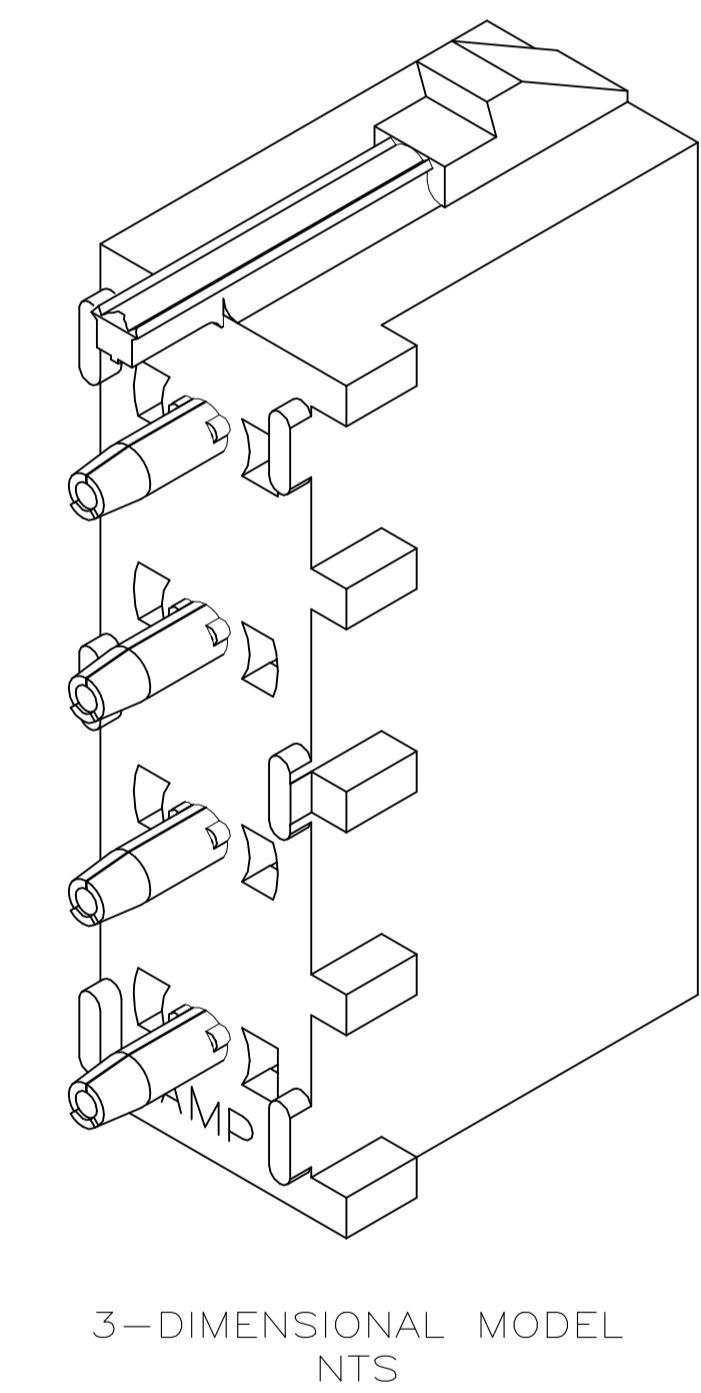
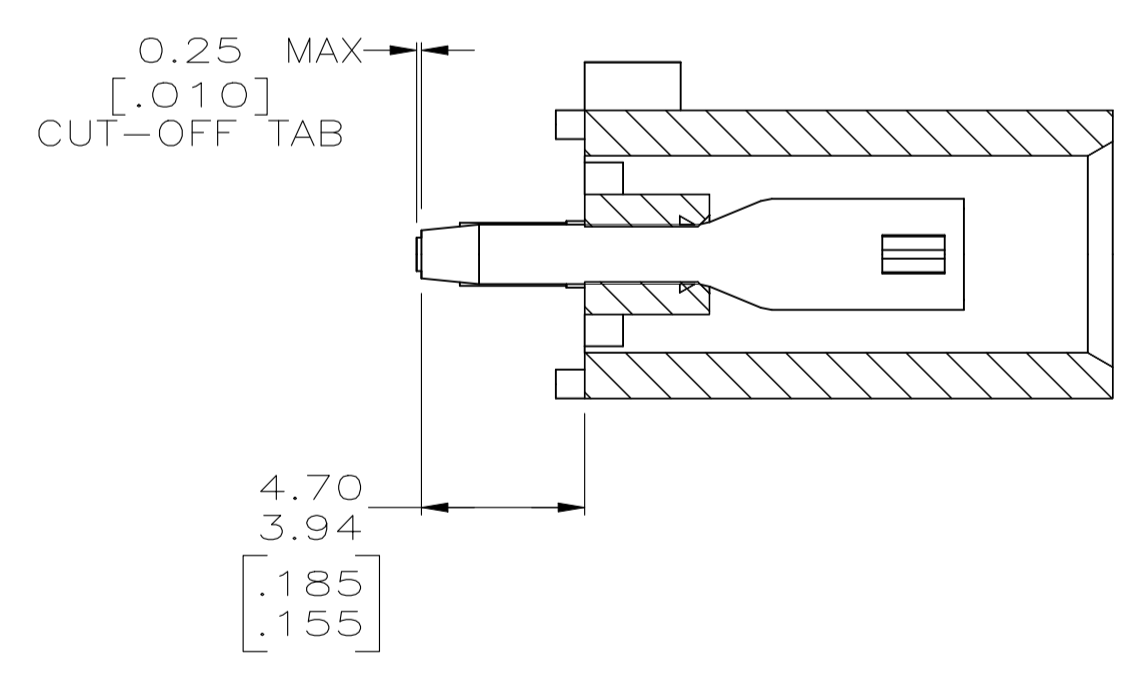
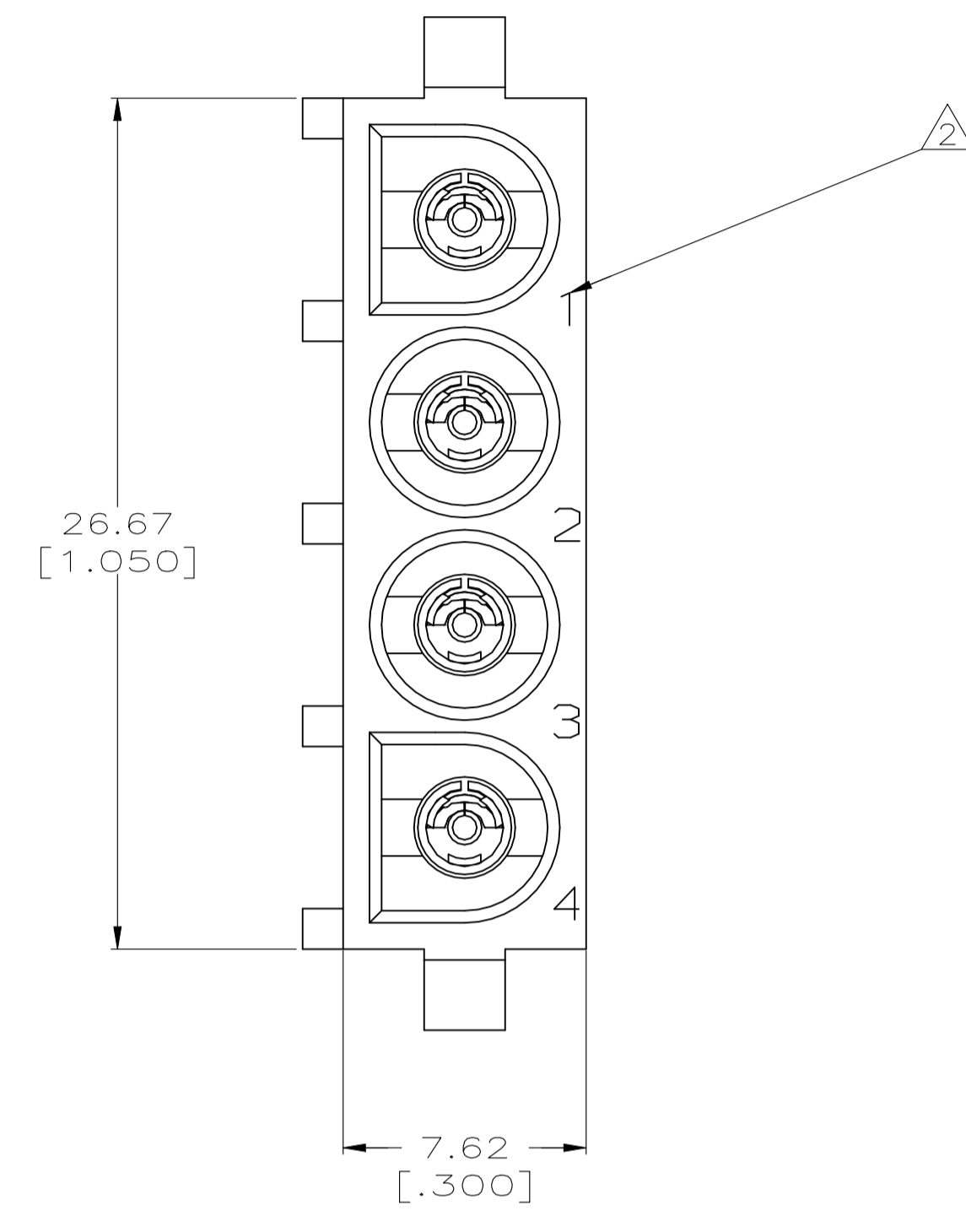
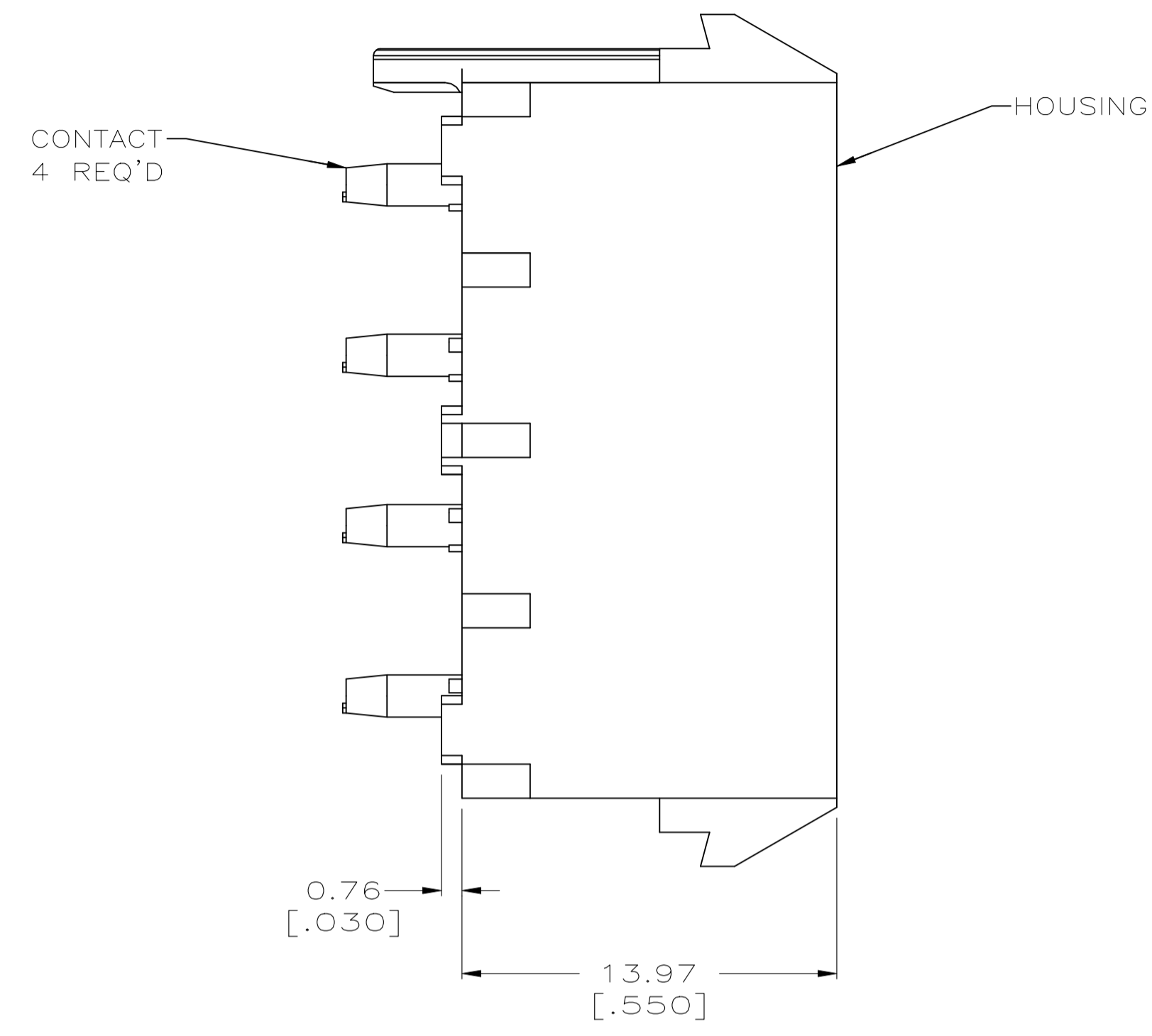
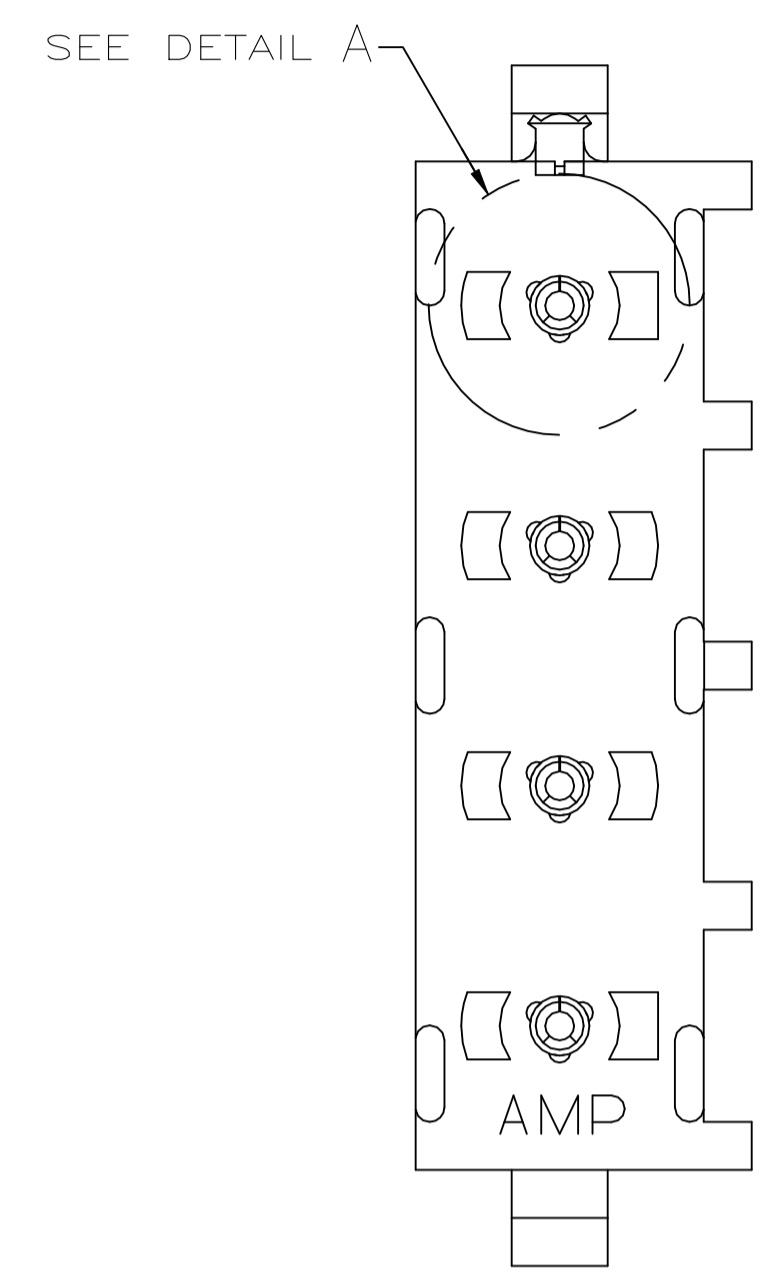


REVISIONS					
REV	DESCRIPTION	DATE	BY	APP'D	
G2	REVISED PER ECR-21-117154	03AUG2022	SKR	VS	

- PARTS COMPLY TO TE SOLDERABILITY SPECIFICATION 109-11-3.
- CIRCUIT IDENTIFICATION CHARACTERS ARE ADJACENT TO THE INDICATED CAVITIES, BUT LOCATION AND ORIENTATION MAY DIFFER FROM PRINT.
- DIMENSIONS IN BRACKETS ARE IN INCHES.
- DRAIN HOLES LOCATED AS SHOWN. OPTIONAL CONSTRUCTION- ALL DRAIN HOLES LOCATED 90° AS SHOWN IN DETAIL A.
- DIMENSION SHOWN REPRESENT PRODUCT IN DRY CONDITION. ADDITIONAL 2% GROWTH DUE TO END USE LOCATION MOISTURE ABSORPTION MAY OCCUR AND SHOULD BE ACCOUNTED FOR.



PHOSPHOR BRONZE, PRE-TIN	NYLON, UL94V-2,NATURAL	643415-1
PIN CONTACT MATERIAL AND FINISH	HOUSING MATERIAL	PART NO.
THIS DRAWING IS A CONTROLLED DOCUMENT. DIMENSIONS: mm [INCHES] TOLERANCES UNLESS OTHERWISE SPECIFIED: 0 PLC ± - 1 PLC ± - 2 PLC ± 0.13 [.005] 3 PLC ± - 4 PLC ± - ANGLES ± ° 30° MATERIAL SEE TABLE FINISH SEE TABLE WEIGHT 0.000000 A1 00779 C=643415 CUSTOMER DRAWING SCALE 5:1 SHEET 1 of 1 REV G2		
L. McEACHIN 07-JAN-2000 K. COBLE 07-JUN-2000 K. COBLE 07-JUN-2000 NAME: SOCKET HEADER ASSEMBLY, POLARIZED, 4 CIRCUIT UNIVERSAL MATE-N-LOK SIZE: A1 CAGE CODE: 00779 DRAWING NO: 643415		TE Connectivity RESTRICTED TO: -

