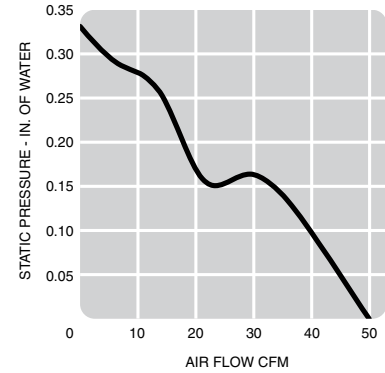
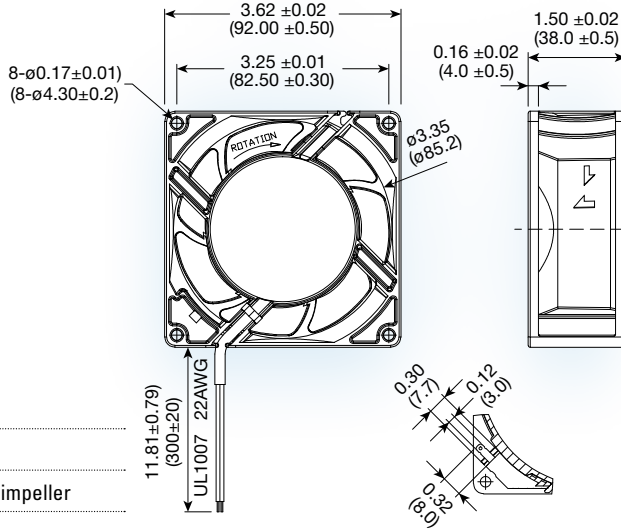




LPT92A99 series



(92 x 92 x 38 mm)

3.62 x 3.62 x 1.50 inches

- Operating voltage: 95 to 264 VAC
- Construction: plastic frame and impeller
- Bearing option: ball bearing
- Motor: electronically commutated
- Air flow: exhaust over struts
- Connection: lead wire UL1007 22AWG or terminal
- Protection: auto restart

Options:

- tachometer
- PWM
- encapsulated motor (IP68)
- ATEX



Model No.	Rated Voltage V	Freq. HZ	Input Power W	Rated Cur. A	Speed RPM	Air Volume		Max. Static Pressure (H ₂ O)		Sound Noise	Weight
						M ³ /Min.	CFM	MM	INCH	dB A	g
LPT92A99	115	50/60	4.8	0.08	3,850	1.4	50	8.4	0.33	43	225
	230	50/60	5.2	0.05	3,850	1.4	50	8.4	0.33	43	225

