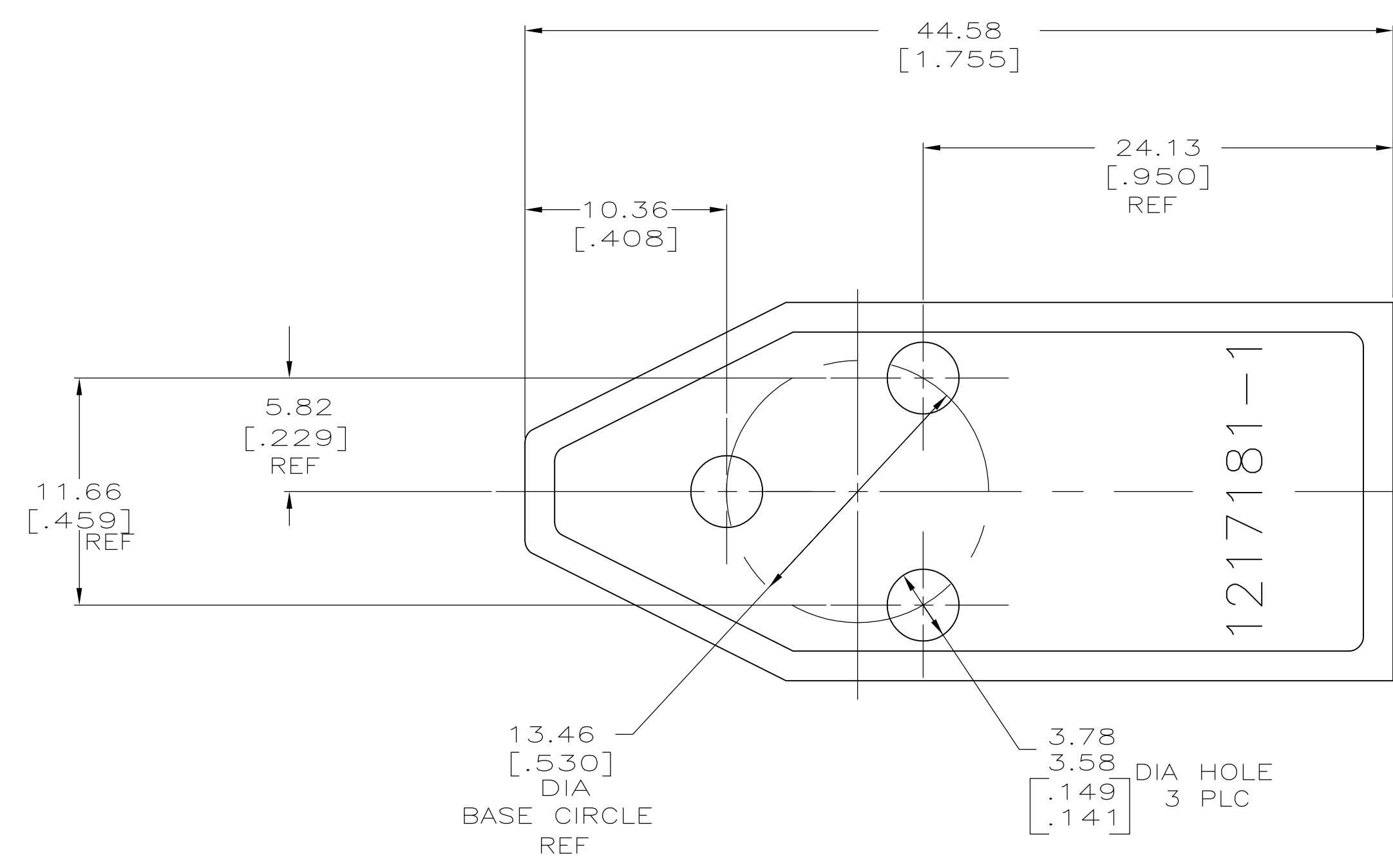
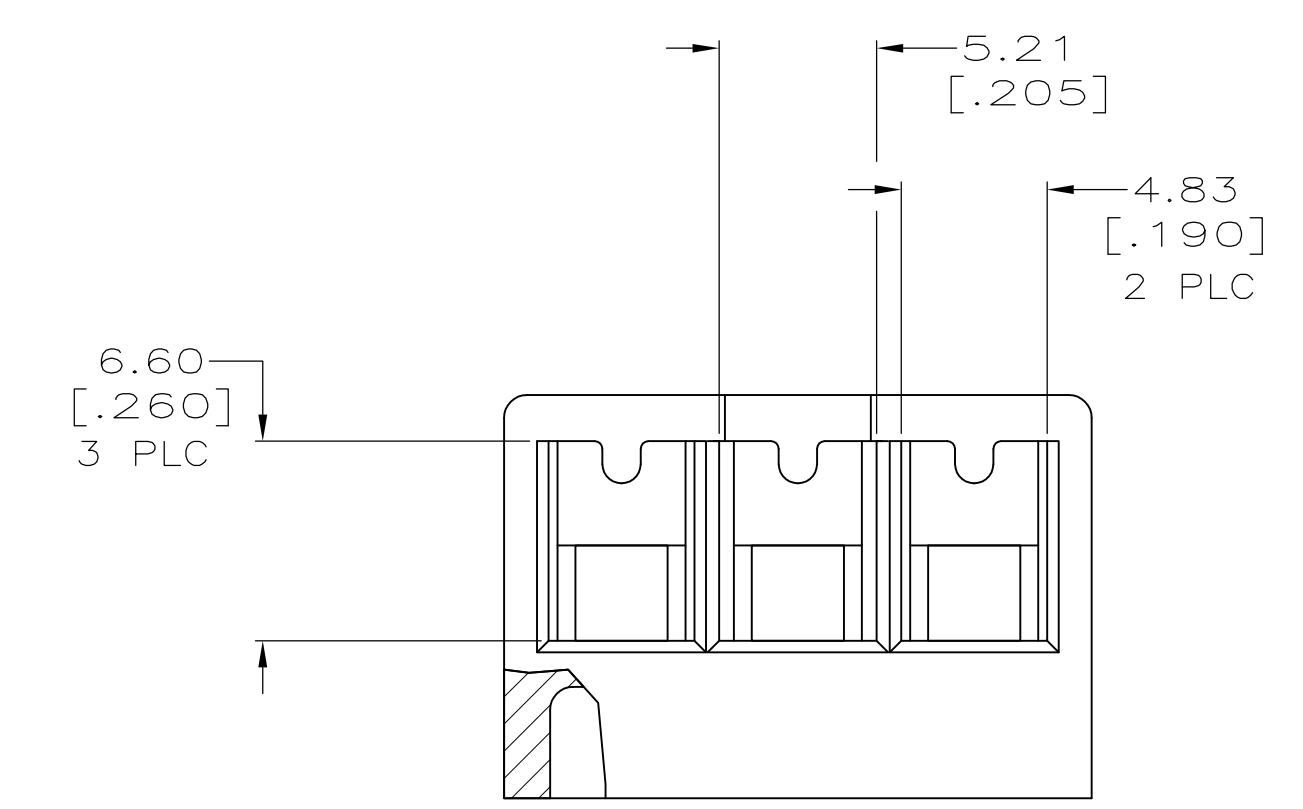
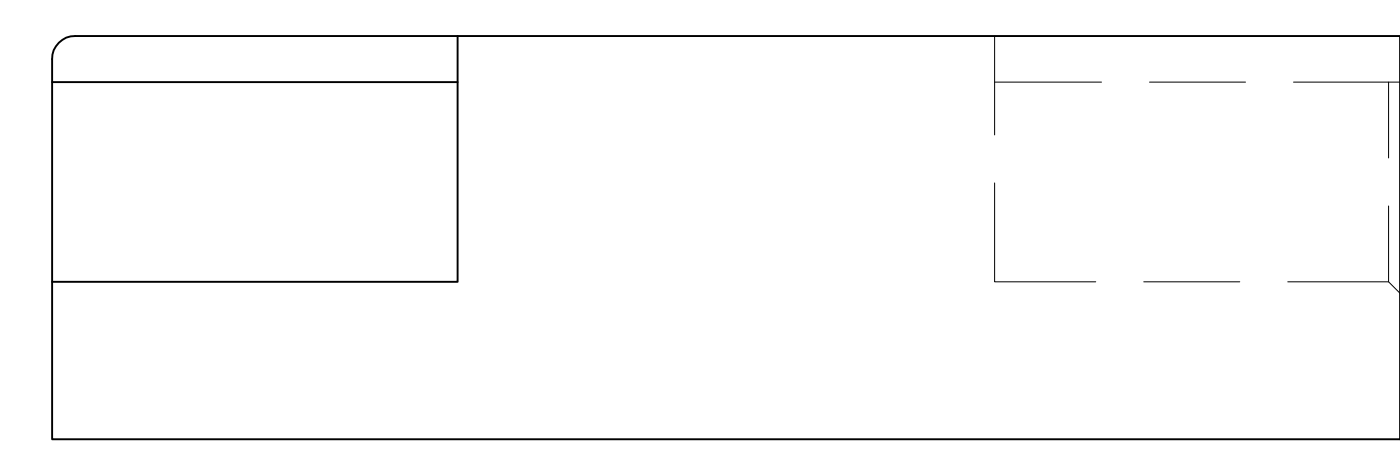
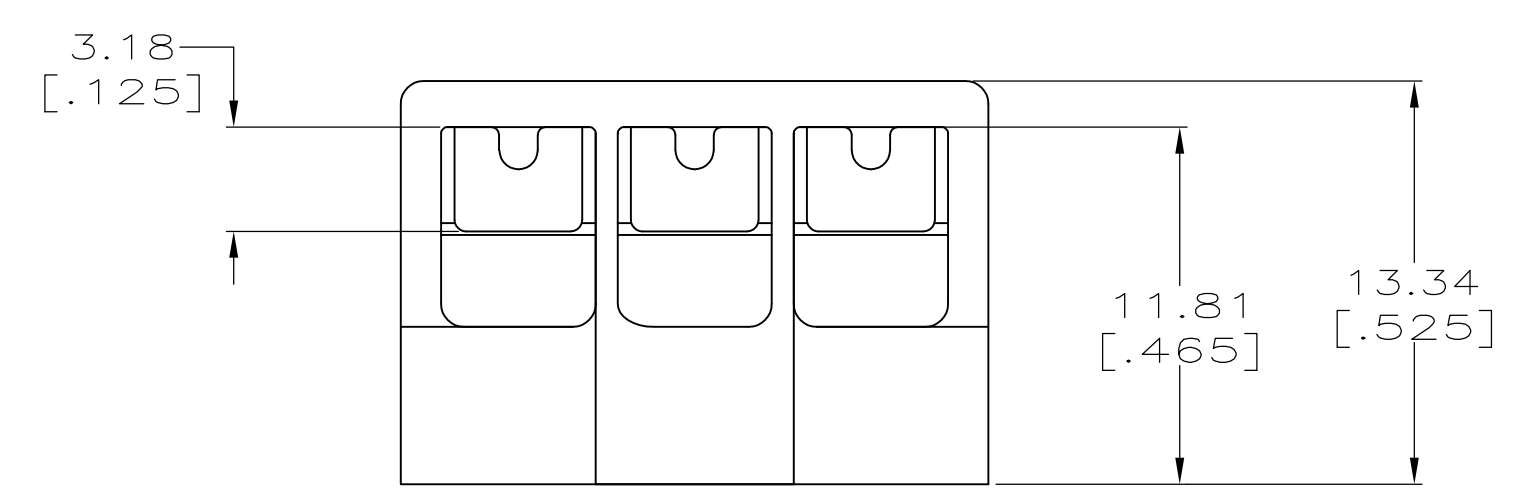
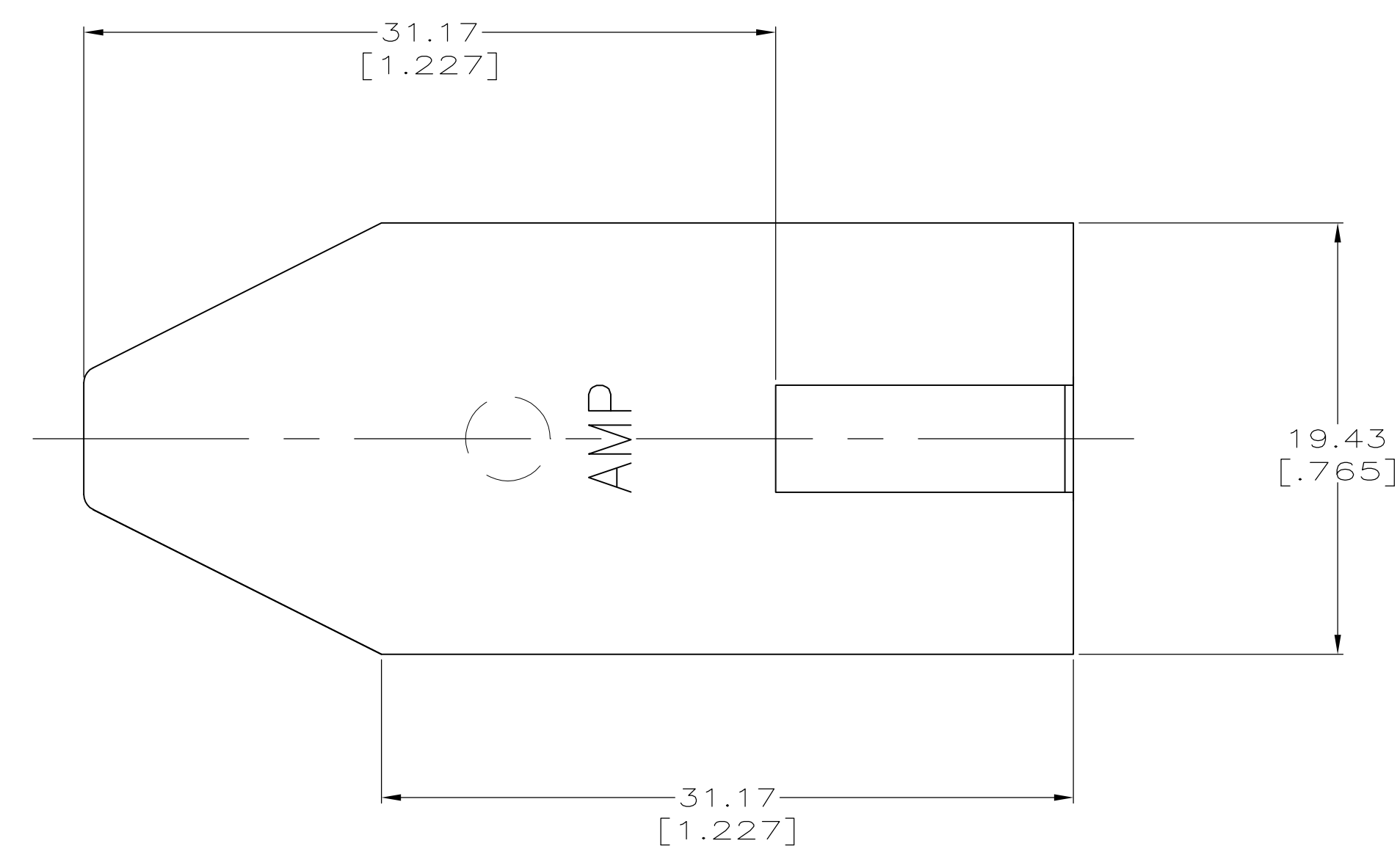


1 HOUSING ACCEPTS 3.18 [.125] DIA CLUSTER PIN RECEPTACLES



1217181-1
PART NUMBER

THIS DRAWING IS A CONTROLLED DOCUMENT.		DIN	18AUG1999	Tyco Electronics Corporation Harrisburg, PA 17105-3608
		CHK	MICHAEL S. FEHER 18AUG1999	
DIMENSIONS: mm [INCHES]		TOLERANCES UNLESS OTHERWISE SPECIFIED:		Tyco Electronics
		0 PLC ± -		
		1 PLC ± -		NAME PETE DESANTIS 18AUG1999
		2 PLC ± 0.25 [.010]		
		3 PLC ± -		PRODUCT SPEC 108-2008
		4 PLC ± -		
		ANGLES ± -		APPLICATION SPEC 114-2019
MATERIAL PBT UNFILLED	FINISH NATURAL	WEIGHT	-	SIZE A1
		CUSTOMER DRAWING	SCALE 4:1	DRAWING NO 1217181
		SHEET 1 OF 1		RESTRICTED TO -