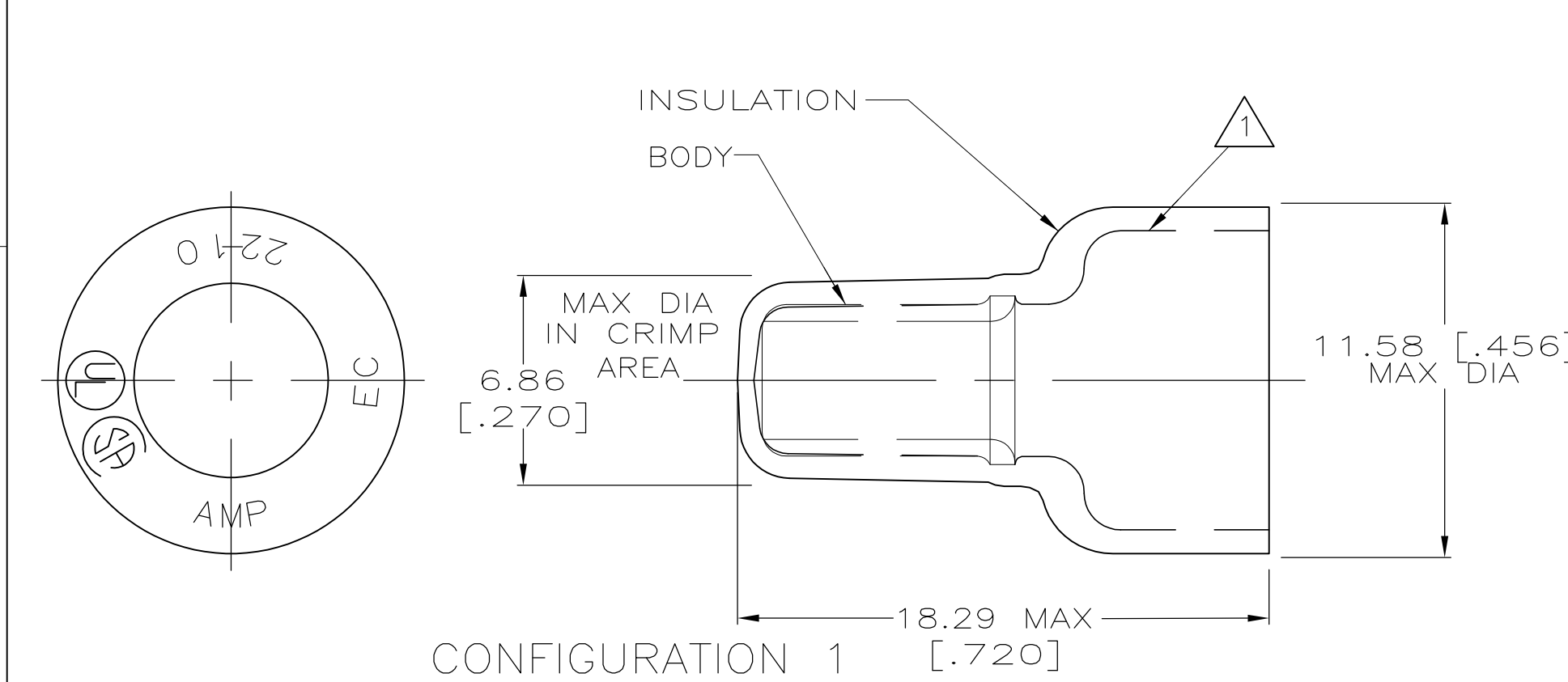
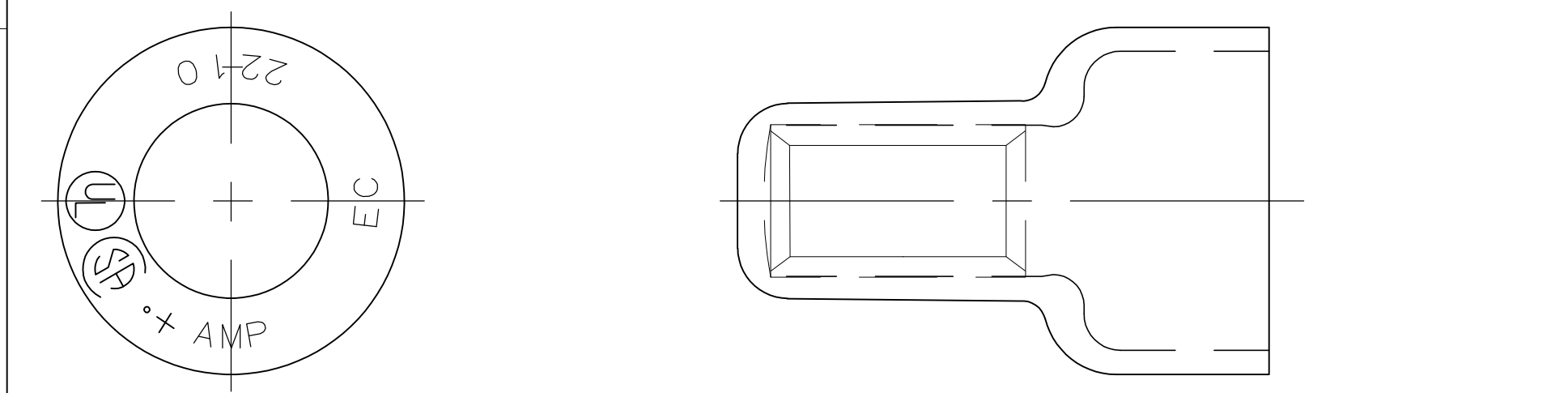


THIS DRAWING IS UNPUBLISHED. RELEASED FOR PUBLICATION  
 © COPYRIGHT - By - ALL RIGHTS RESERVED.

LOC	DIST	REVISIONS					
G	14	P	LTR	DESCRIPTION	DATE	DWN	APVD
			AD1	REVISED PER ECO-11-004917	11MAR11	RK	HMR



CONFIGURATION 1 [.720]



CONFIGURATION 2

- △ 1 FOR 9.53 [.375] MAX WIRE INSULATION DIA
- △ 2 SUPERSEDED BY 328730
- △ 3 MATERIAL: BODY; COPPER PER ASTM B152 INSULATION; NYLON COLOR; NATURAL
- △ 4 FINISH: BODY; TIN PL. PER ASTM B545
- 5 PARTS MAY CONFORM TO EITHER COFIGURATION 1 OR 2

WIRE RANGE	Listed	LR7189 Certified
22-10 AWG SOLID OR STRANDED	22-10 AWG SOLID OR STRANDED	22-10 AWG SOLID OR STRANDED

100	LOOSE PC, BOX	8-328730-1
10000	SPECIAL PKG	△ 2 328730-1
1500	TAPE MOUNTED	2-328730-1
2000	LOOSE PIECE	328730
QTY	DESCRIPTION	PART NO

**AMP INCORPORATED**  
**CUSTOMER SERVICE SYSTEMS**

FOR ADDITIONAL PRODUCT INFORMATION OR COPIES OF DRAWINGS AND TECHNICAL DOCUMENTS  
 PRODUCT INFORMATION CENTER  
 1-800-522-6752

FOR APPLICATION TOOLING INFORMATION  
 TOOLING ASSISTANCE CENTER  
 1-800-722-1111

FOR ORDER ENTRY  
 1-800-526-5142

MAX RECOMMENDED OPERATING TEMPERATURE:  
 105° C MAX

VOLTAGE RATING:  
 600V MAX (BUILDING & WIRING)  
 1000V MAX (FIXTURES & SIGNS)

CIRCULAR MIL AREA:  
 1.65-6.64mm<sup>2</sup> [3248-13100]  
 SOLID OR STRANDED

THIS DRAWING IS A CONTROLLED DOCUMENT.

DIMENSIONS: INCHES

TOLERANCES UNLESS OTHERWISE SPECIFIED:

0 PLC	± -
1 PLC	± -
2 PLC	± 0.20 [.008]
3 PLC	± -
4 PLC	± -
ANGLES	± -
FINISH	± -

MATERIAL △ 3

DWN G KRUPER 1/93  
 CHK R HERSEY 1/93  
 APVD M ELLIS 1/93  
 PRODUCT SPEC UL 486 C  
 APPLICATION SPEC -  
 WEIGHT -

**STE** TE Connectivity

NAME: SPLICE, CLOSED END, WIRE SIZE, 22-10 AWG

SIZE	CAGE CODE	DRAWING NO	RESTRICTED TO
A3	00779	C-328730	-

CUSTOMER DRAWING SCALE 5:1 SHEET 1 OF 1 REV AD1