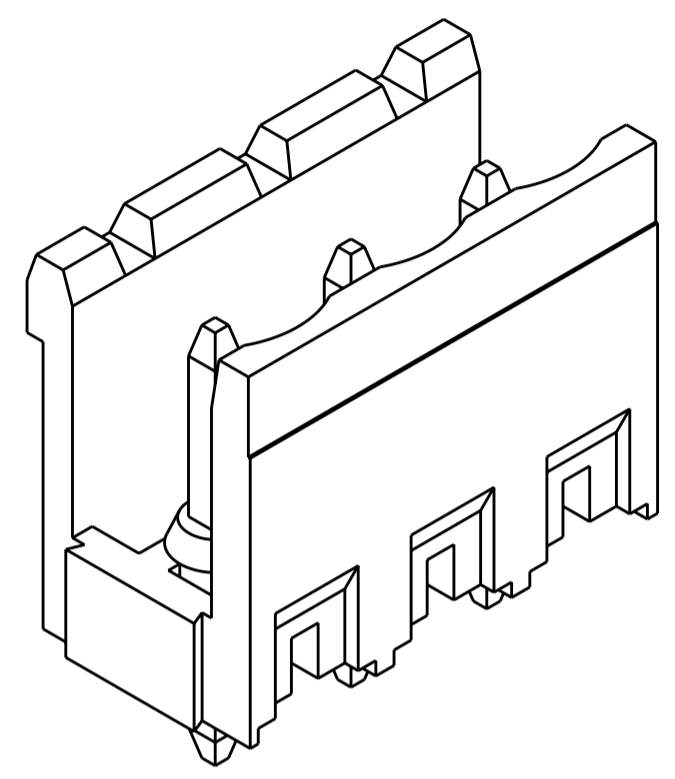
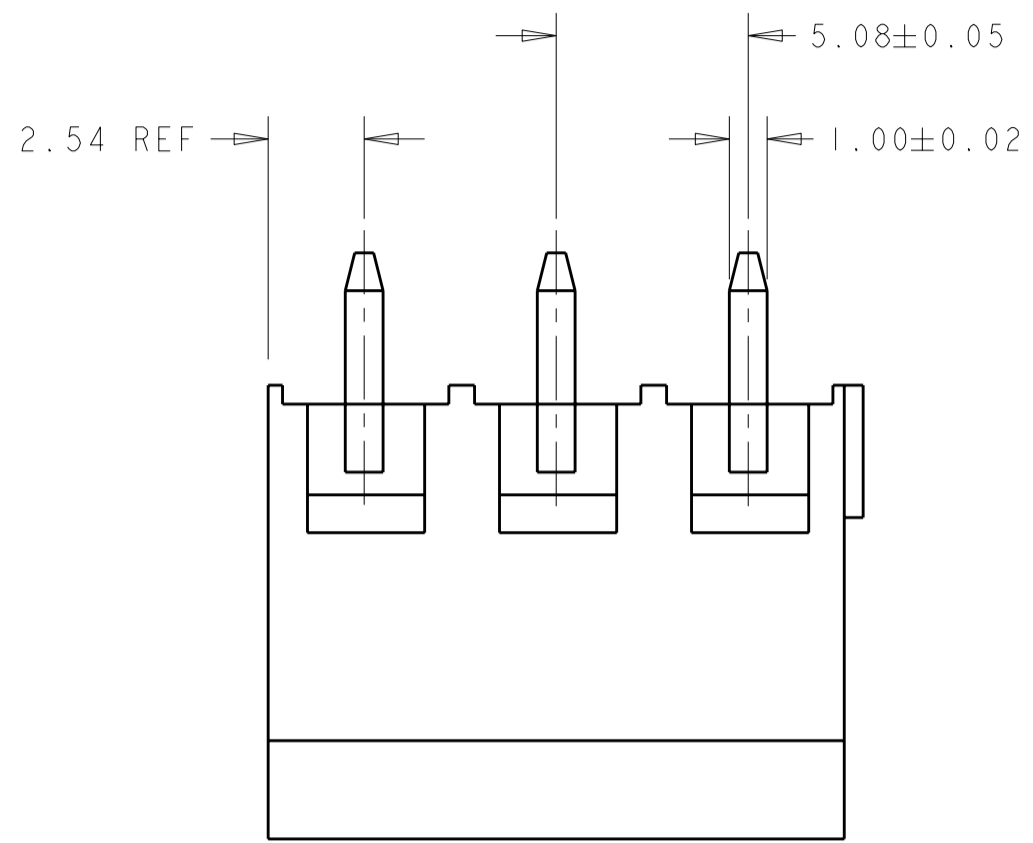


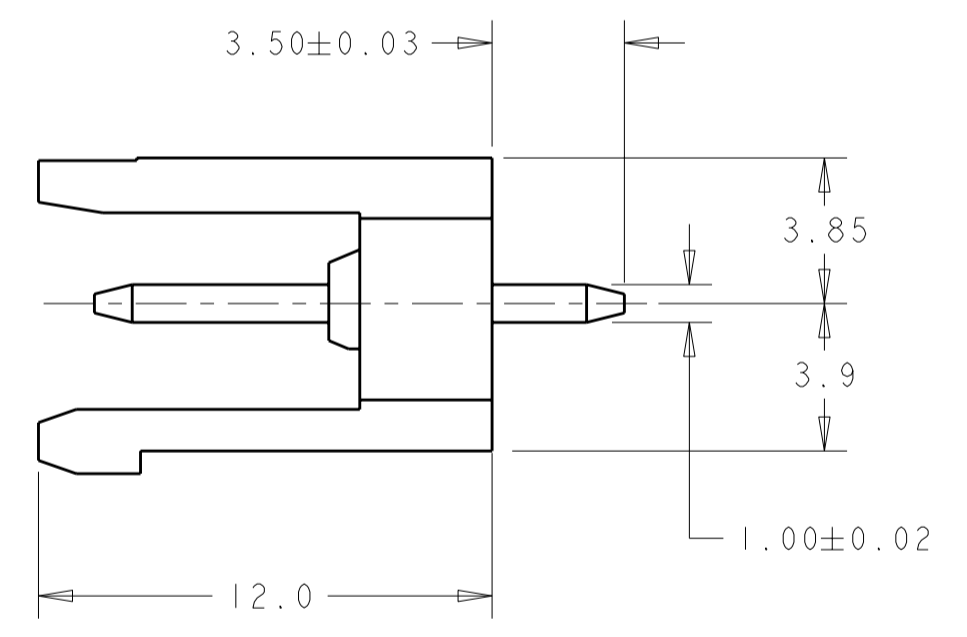
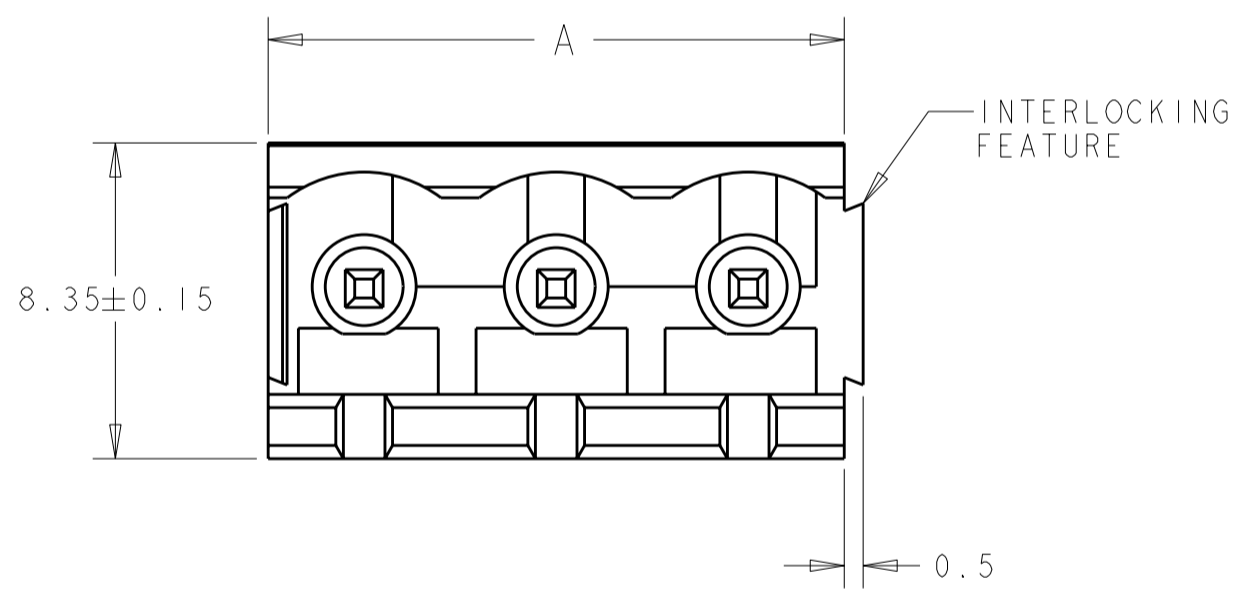
THIS DRAWING IS UNPUBLISHED. RELEASED FOR PUBLICATION 20  
 © COPYRIGHT 20 Tyco Electronics AMP GmbH ALL RIGHTS RESERVED.

| LOC |     | DIST                      |           | REVISIONS |      |  |  |
|-----|-----|---------------------------|-----------|-----------|------|--|--|
| P   | LTR | DESCRIPTION               | DATE      | DWN       | APVD |  |  |
|     | 01  | REVISED PER ECO-12-007711 | 26APR2012 | KH        | MS   |  |  |

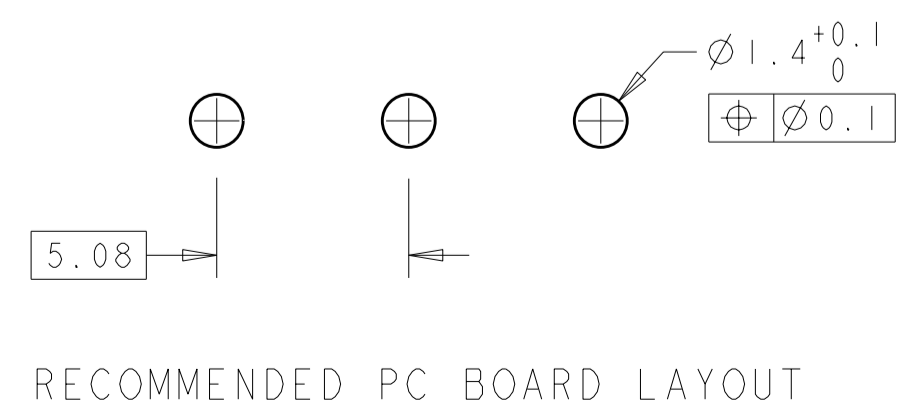


1776143-3 AS SHOWN

- 1. MATERIALS AND FINISH  
 HOUSING: HIGH TEMPERATURE POLYAMIDE, UL 94V-0 RATED,  
 COLOR: BLACK.  
 TERMINAL: COPPER ALLOY, TIN PLATED.
- 2. SUITABLE FOR 1,6-2,4mm PC BOARD THICKNESS.
- 3. END-TO-END STACKABLE WITHOUT LOSS OF CENTERLINE SPACING.
- 4. RECOGNIZED UNDER THE COMPONENT PROGRAM OF UNDERWRITERS LABORATORIES INC., FILE N° E60677.
- 5. IMQ CERTIFICATE WITH SURVEILLANCE IN CONFORMITY WITH IEC 998-1/998-2-1.
- 6. UL RATING: 300V, 15A.



|       |            |             |
|-------|------------|-------------|
| 20.32 | 4          | 1776143-4   |
| 15.24 | 3          | 1776143-3   |
| 10.16 | 2          | 1776143-2   |
| A     | NO OF POSN | PART NUMBER |



|  |  |   |                 |                       |
|--|--|---|-----------------|-----------------------|
| THIS DRAWING IS A CONTROLLED DOCUMENT.   |  | DWN S. WELDON 28JUN2005   | TE Connectivity |                       |
| DIMENSIONS: mm   |  | CHK C. RICHARD 28JUN2005  |                 |                       |
| TOLERANCES UNLESS OTHERWISE SPECIFIED:   |  | APVD C. RICHARD 28JUN2005   |                 |                       |
| 0 PLC ±-<br>1 PLC ±.2<br>2 PLC ±.25<br>3 PLC ±-<br>4 PLC ±-<br>ANGLES ±2<br>FINISH |  | PRODUCT SPEC 108-20166<br>APPLICATION SPEC 114-20079<br>WEIGHT -                                |                 |                       |
| MATERIAL   |  | NAME  |                 | RESTRICTED TO         |
|  |  | TERMINAL BLOCK HEADER ASSEMBLY<br>180 DEGREE, OPEN ENDS, STACKING<br>W/ INTERLOCK, 5.08mm PITCH |                 | -                     |
| CUSTOMER DRAWING   |  | SIZE A2   | CAGE CODE 00779 | DRAWING NO. C-1776143 |
| SCALE 5:1  |  | SHEET 1 OF 1  |                 | REV 01                |